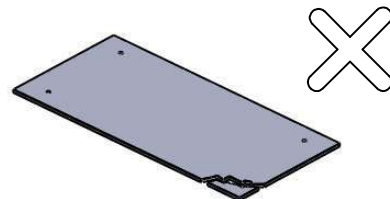
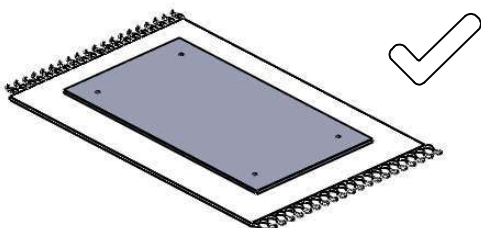
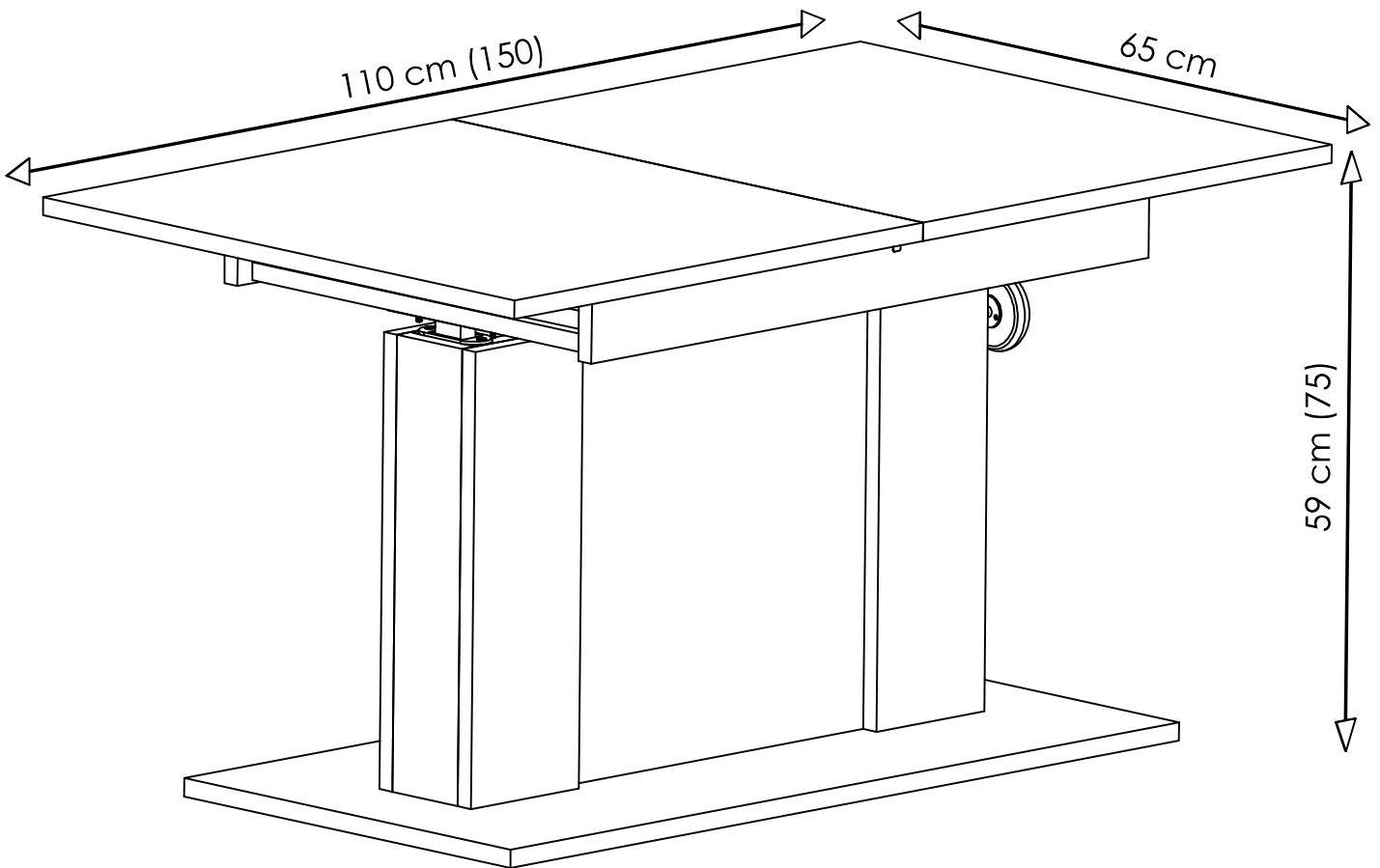
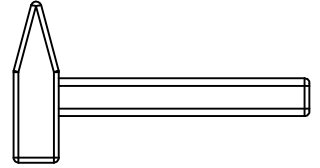
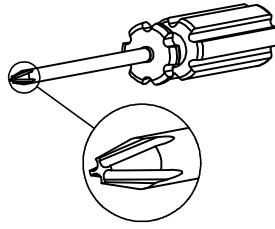
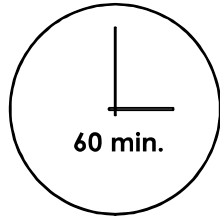
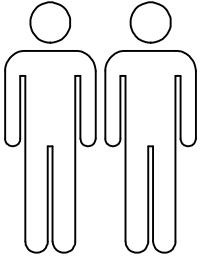
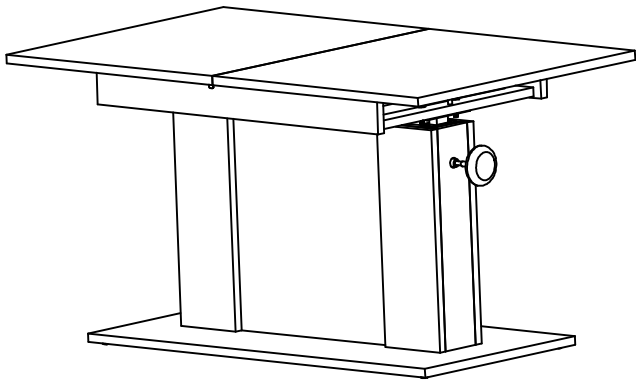
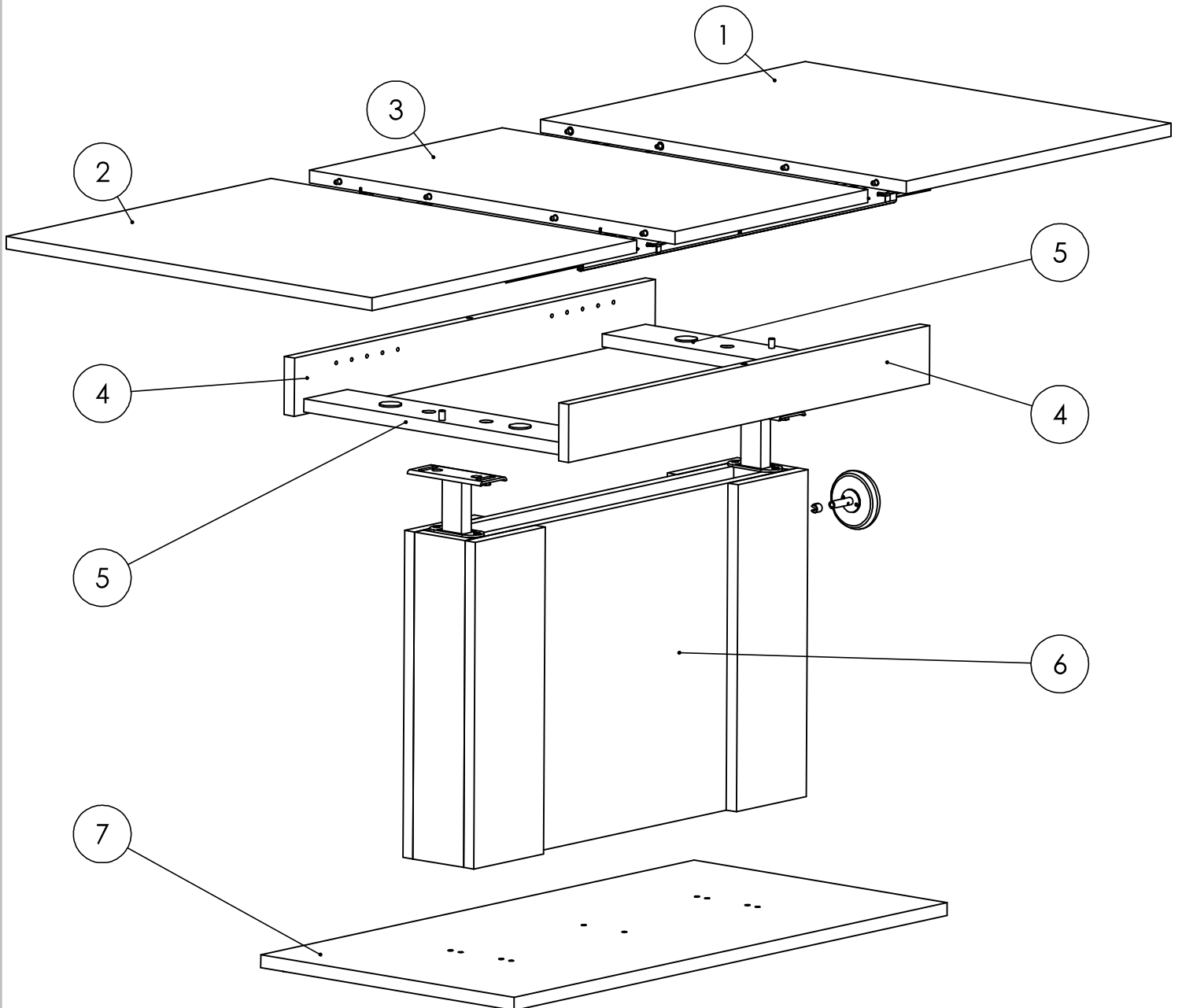
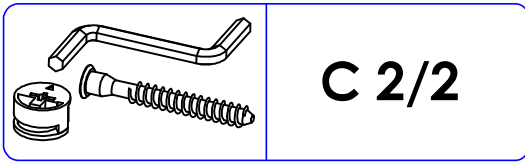


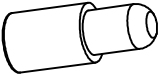
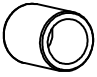

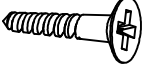
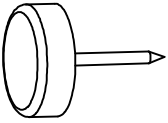
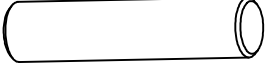
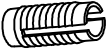
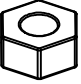

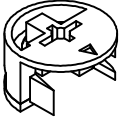




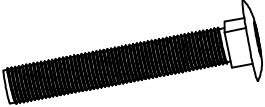
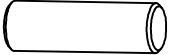


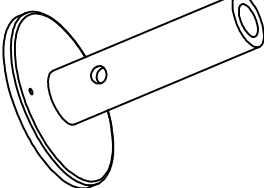
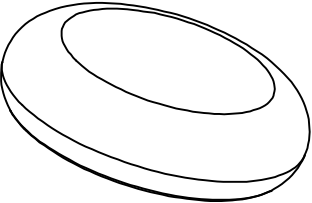

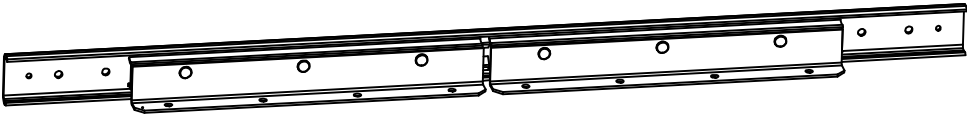
FRITA

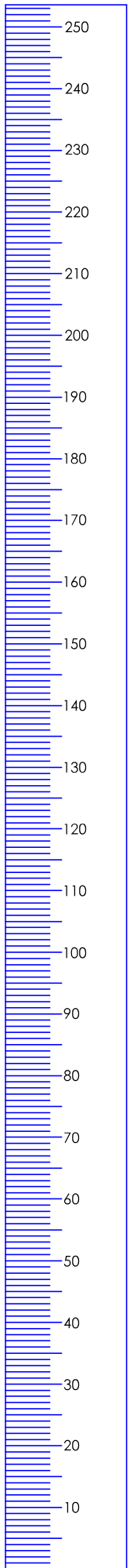





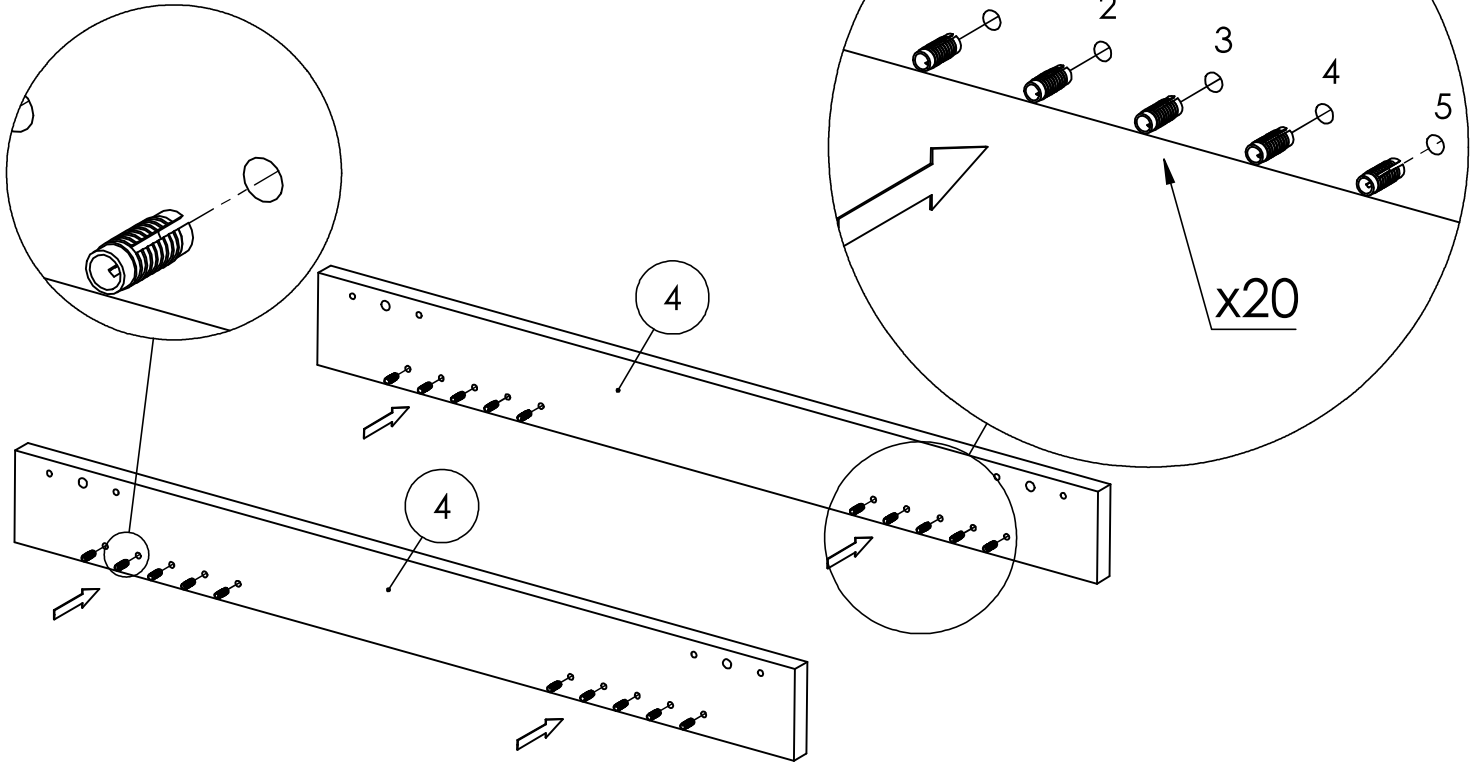
1	550 x 650 x 18	x1	1/2
2	550 x 650 x 18	x1	1/2
3	400 x 650 x 18	x1	1/2
4	750 x 80 x 18	x2	1/2
5	470 x 90 x 18	x2	1/2
6	692 x 450 x 126	x1	2/2
7	900 x 450 x 18	x1	1/2

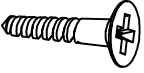



<p>A3</p>  <p>x 8</p>	<p>A2</p>  <p>x 8</p>	<p>A7</p>  <p>x 4</p>
<p>C1</p>  <p>4 x 16 mm x 44</p>	<p>B8</p>  <p>x 4</p>	<p>A1</p>  <p>8 x 36 mm x 4</p>
<p>B10</p>  <p>∅ 5 x 13 mm x 44</p>	<p>B4</p>  <p>x 4</p>	<p>C3</p>  <p>3 x 16 mm x 2</p>
<p>A5</p>  <p>∅ 15 x 12 mm x 8</p>	<p>K4</p>  <p>x 1</p>	<p>A9</p>  <p>x 1</p>
<p>A6</p>  <p>Euro 34 x 8</p>	<p>B5</p>  <p>x 4</p>	<p>B3</p>  <p>M6 x 30 mm x 4</p>
<p>A17</p>  <p>8 x 20 mm x 3</p>	<p>K1</p>  <p>10 mm x 1</p>	<p>A4</p>  <p>6,4 x 50 mm x 10</p>
<p>A8</p>  <p>x 1</p>	<p>B1</p>  <p>x 1</p>	<p>E1</p>  <p>∅ 30 mm x 4</p>
<p>D1</p>  <p>650 x 37 mm x 2</p>		

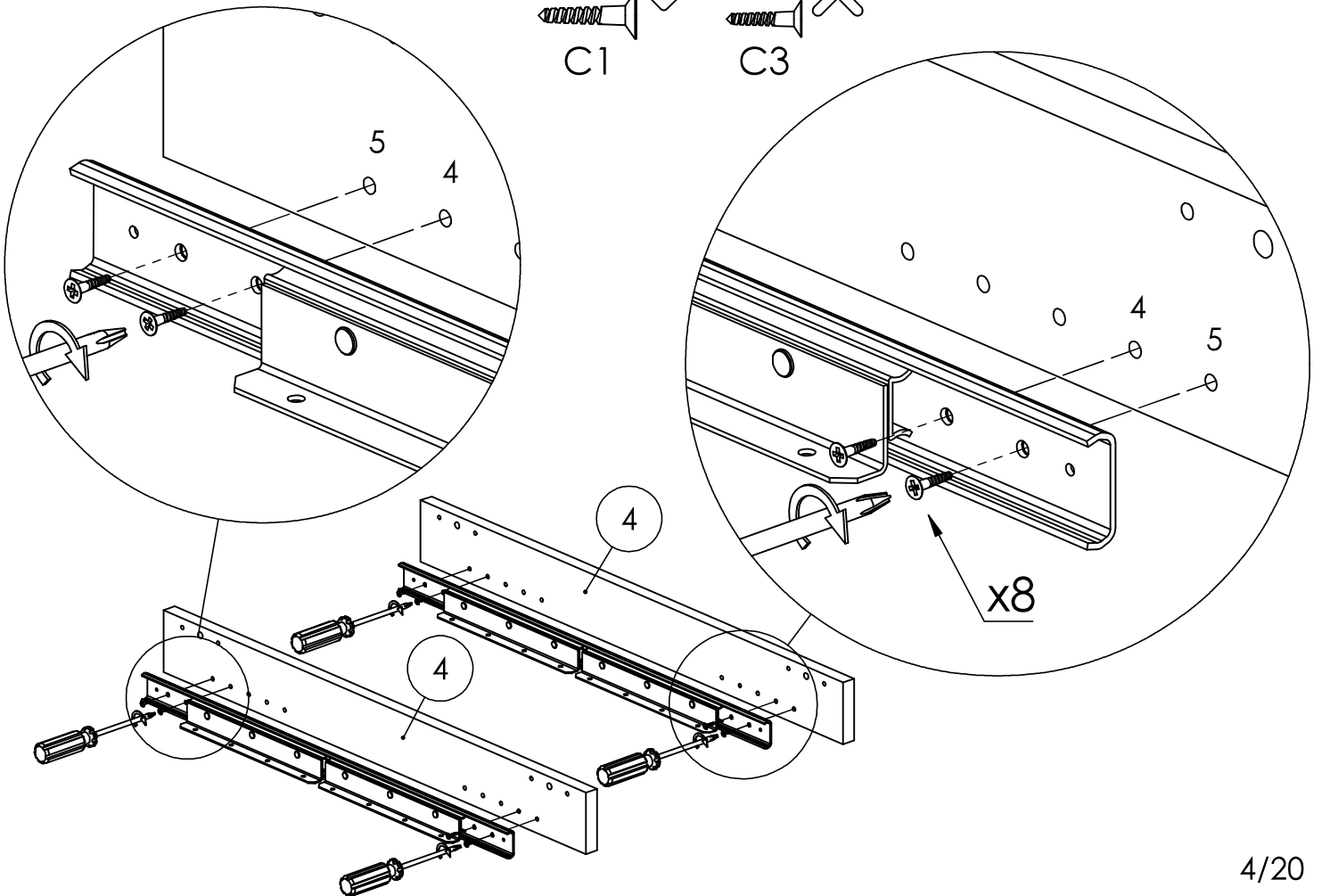
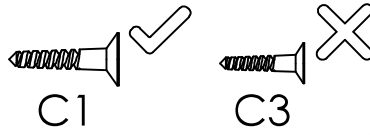


1 B10  x 20

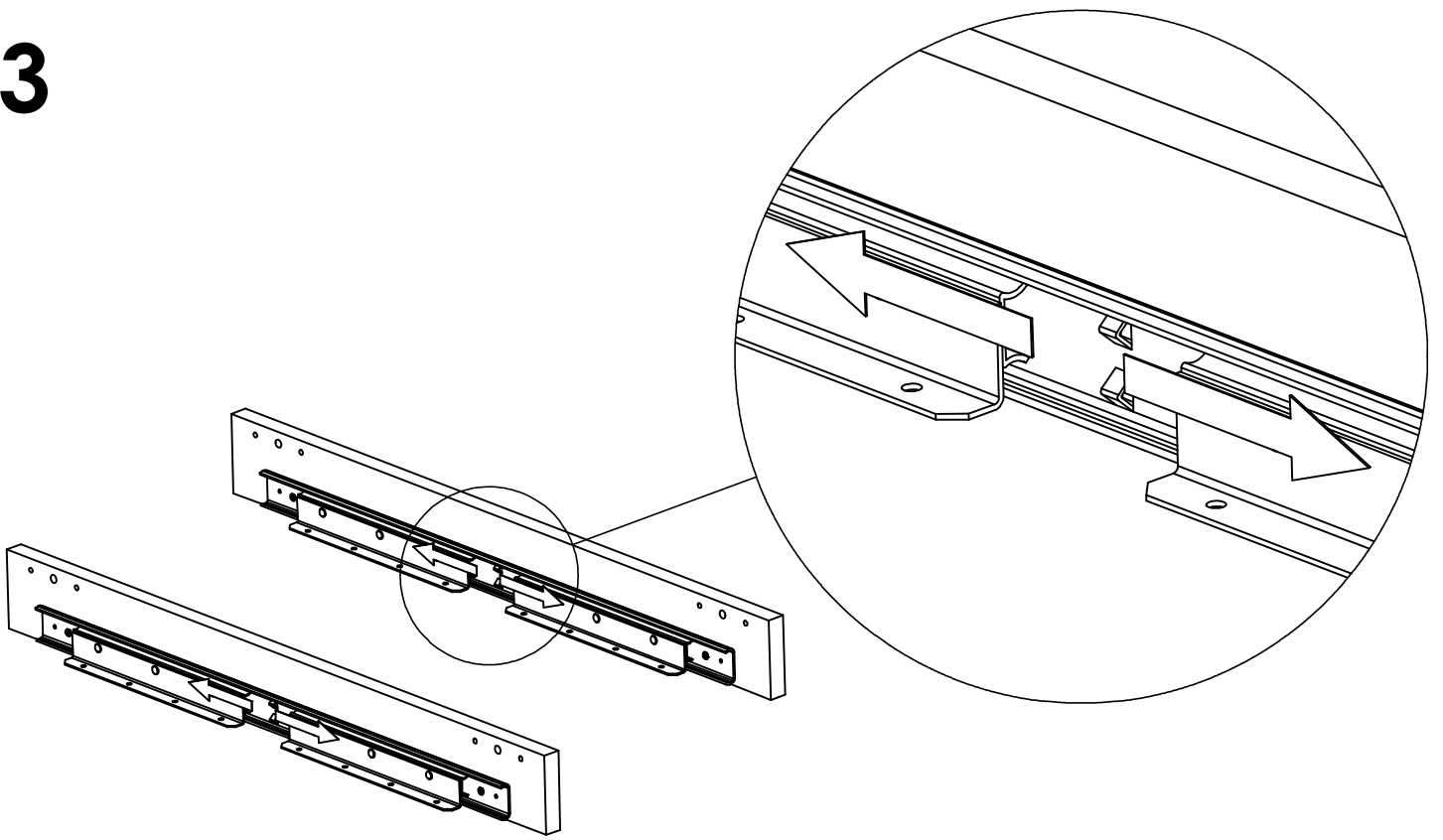


2 C1  x 8


D1  x 2

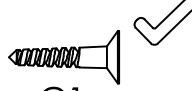



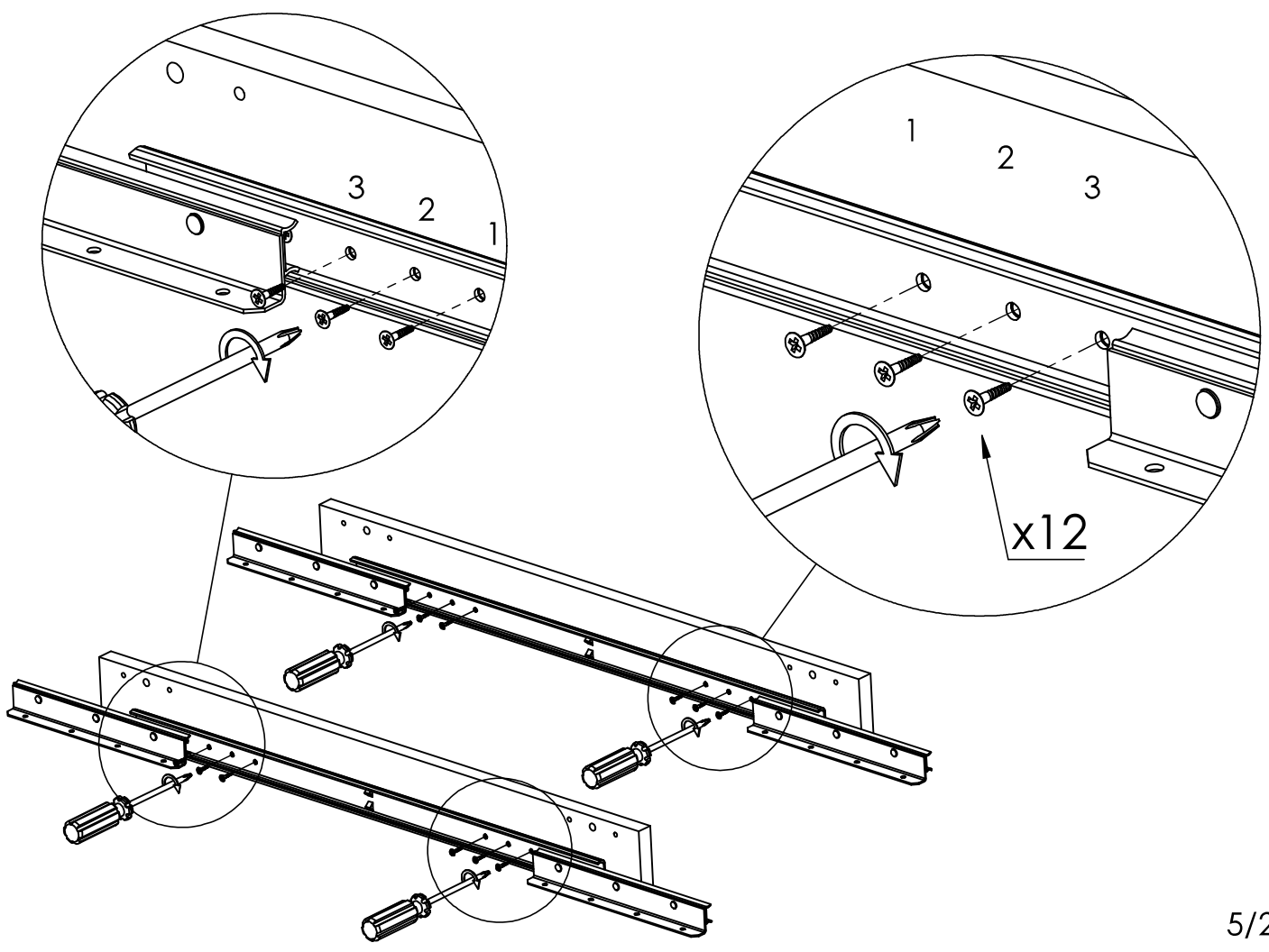
3



4

C1  x 12

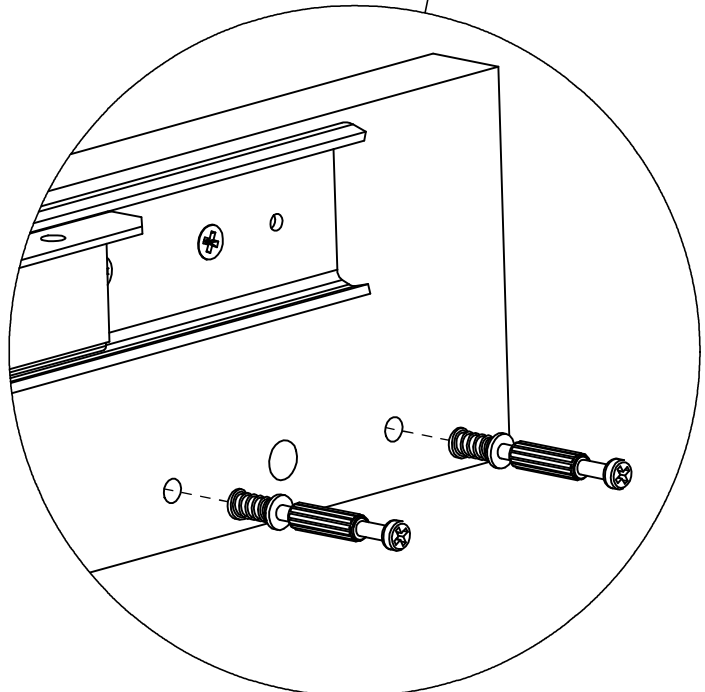
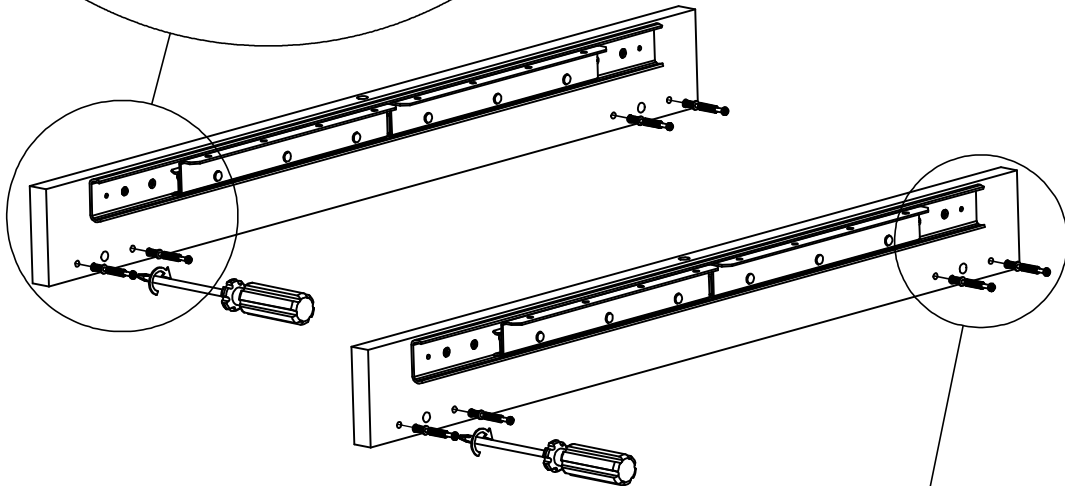
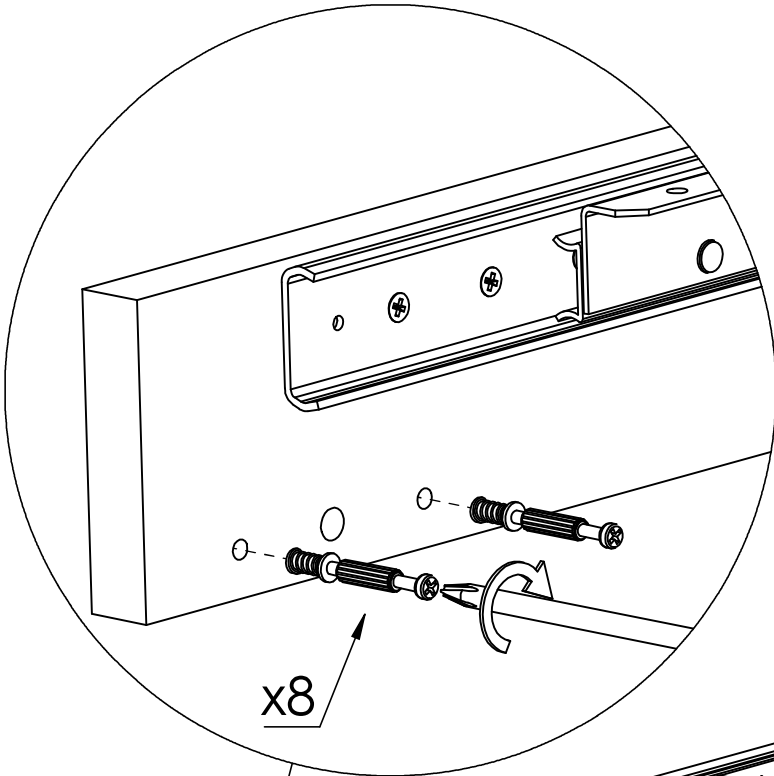
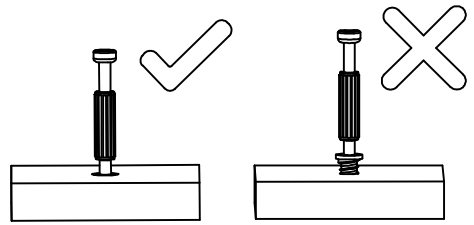
 C1  C3





5

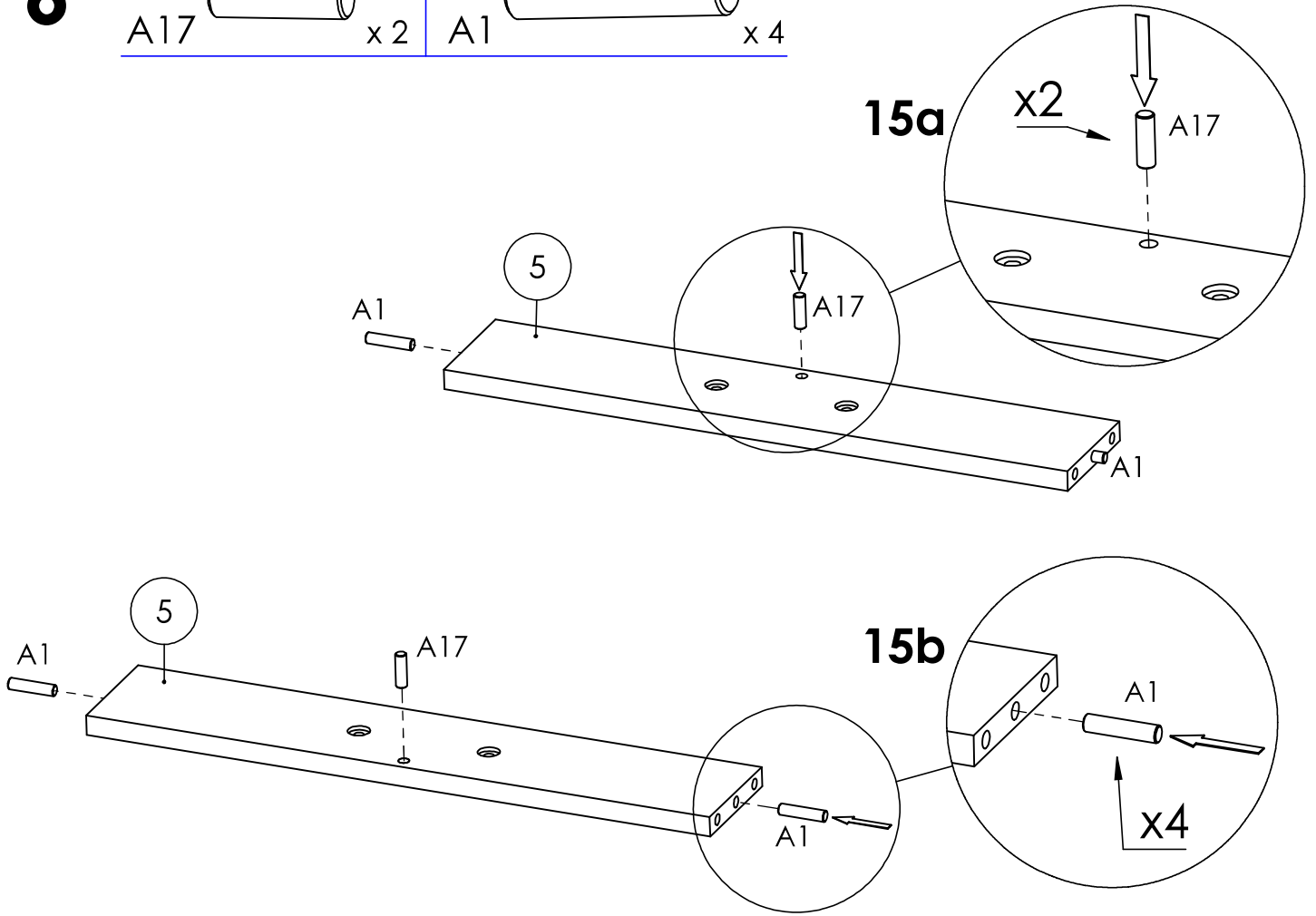
A6

x 8




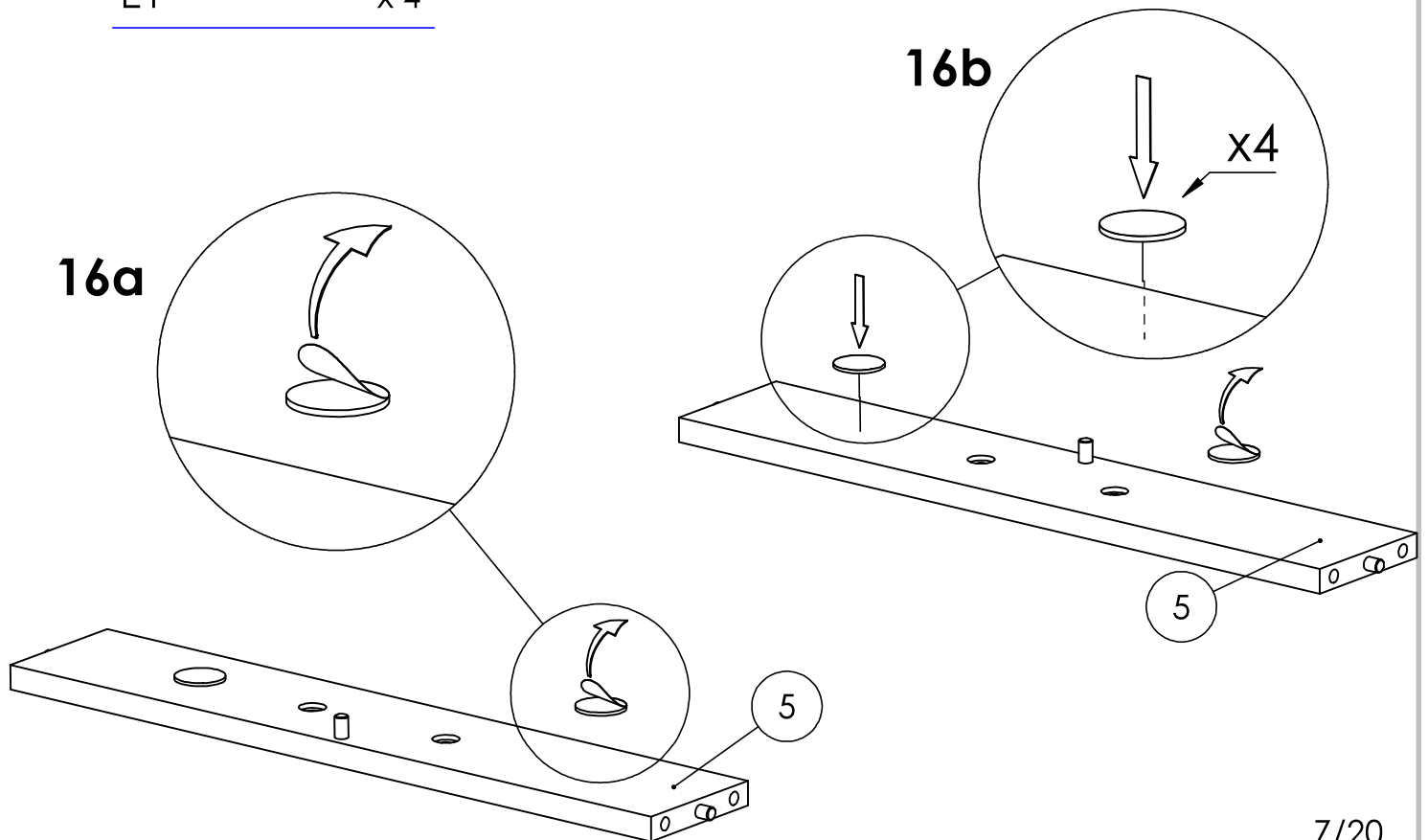
6

A17  x 2 | A1  x 4

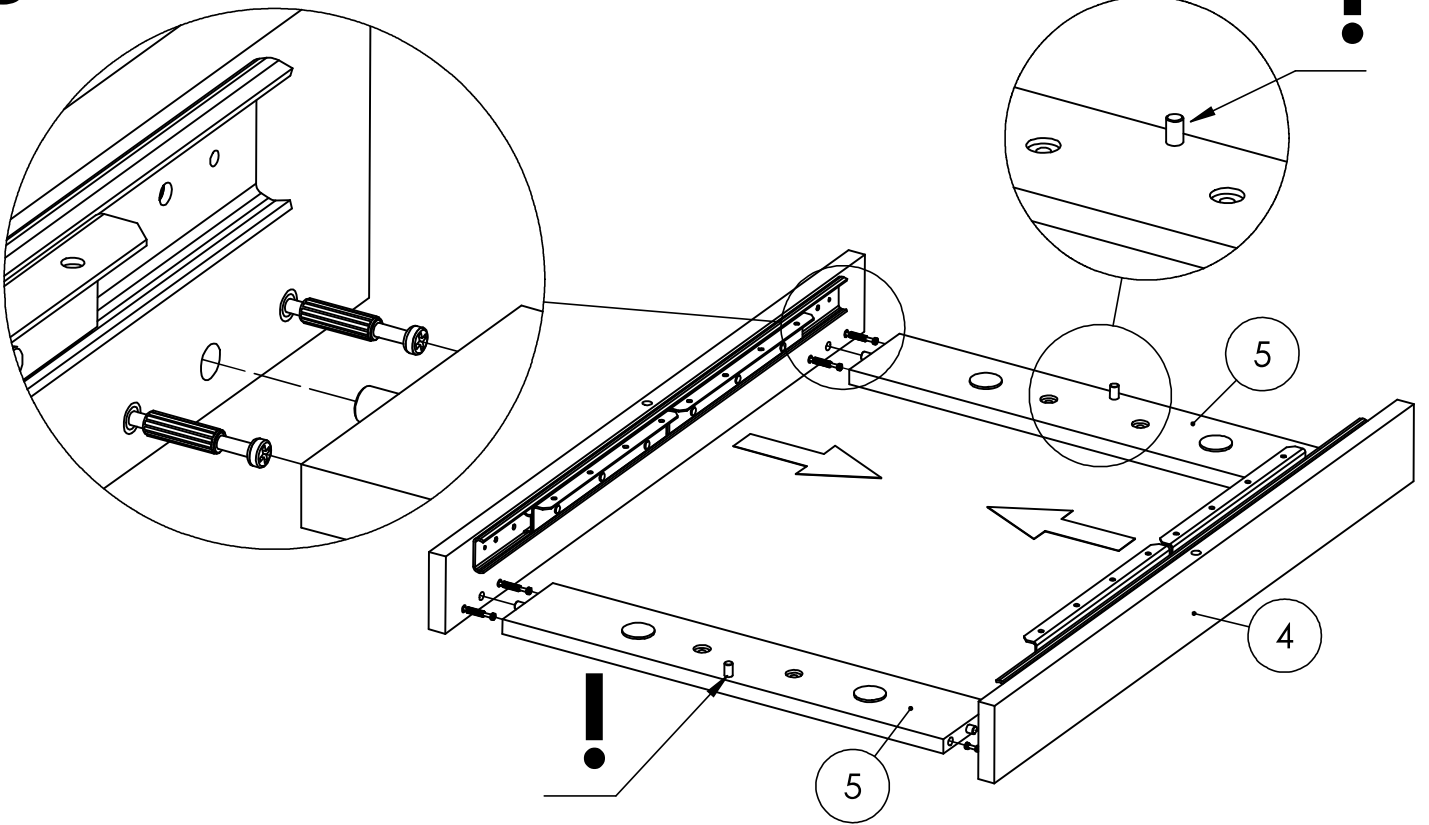


7

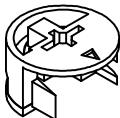
E1  x 4

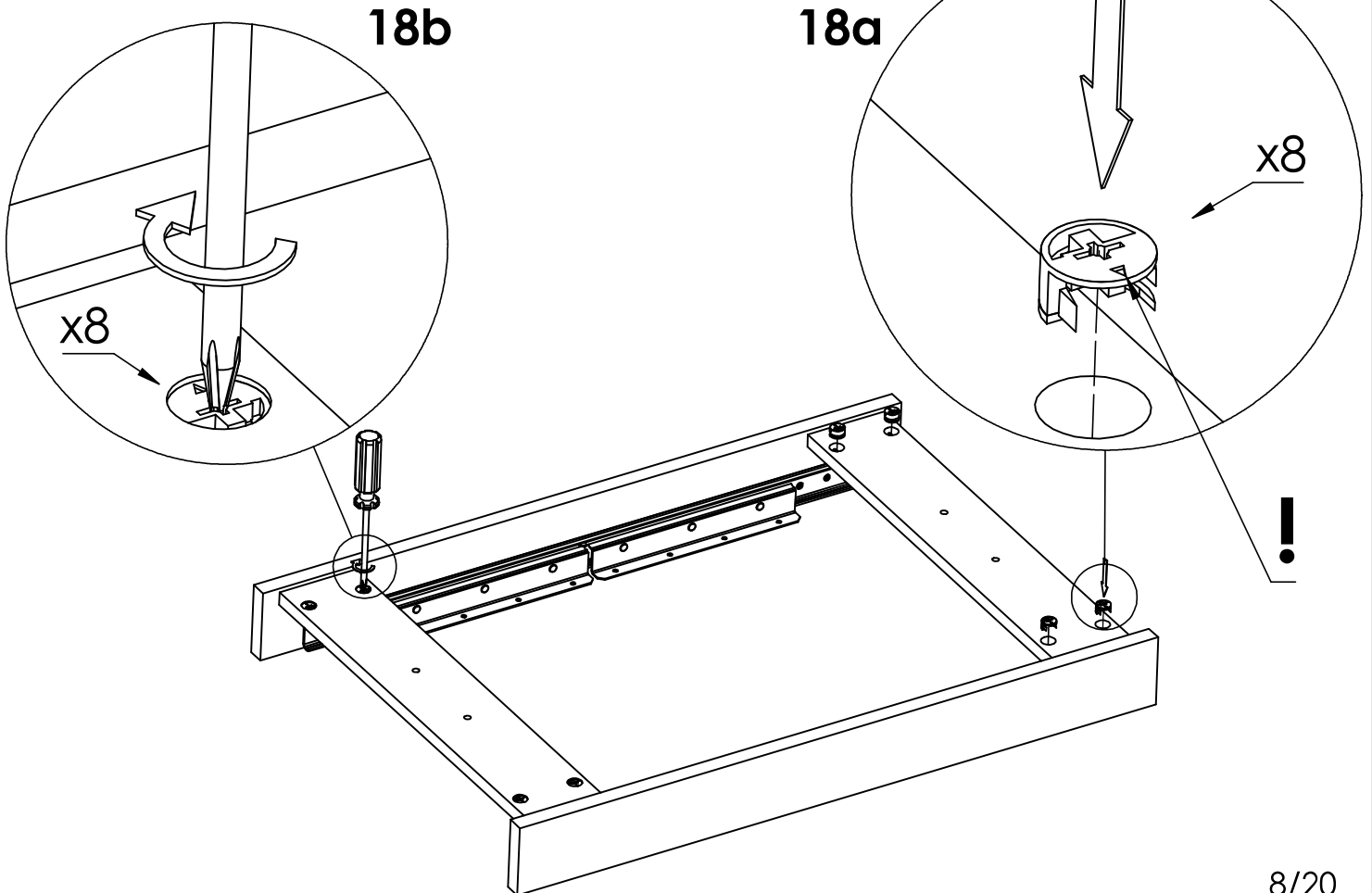


8



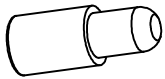
9

A5  x8

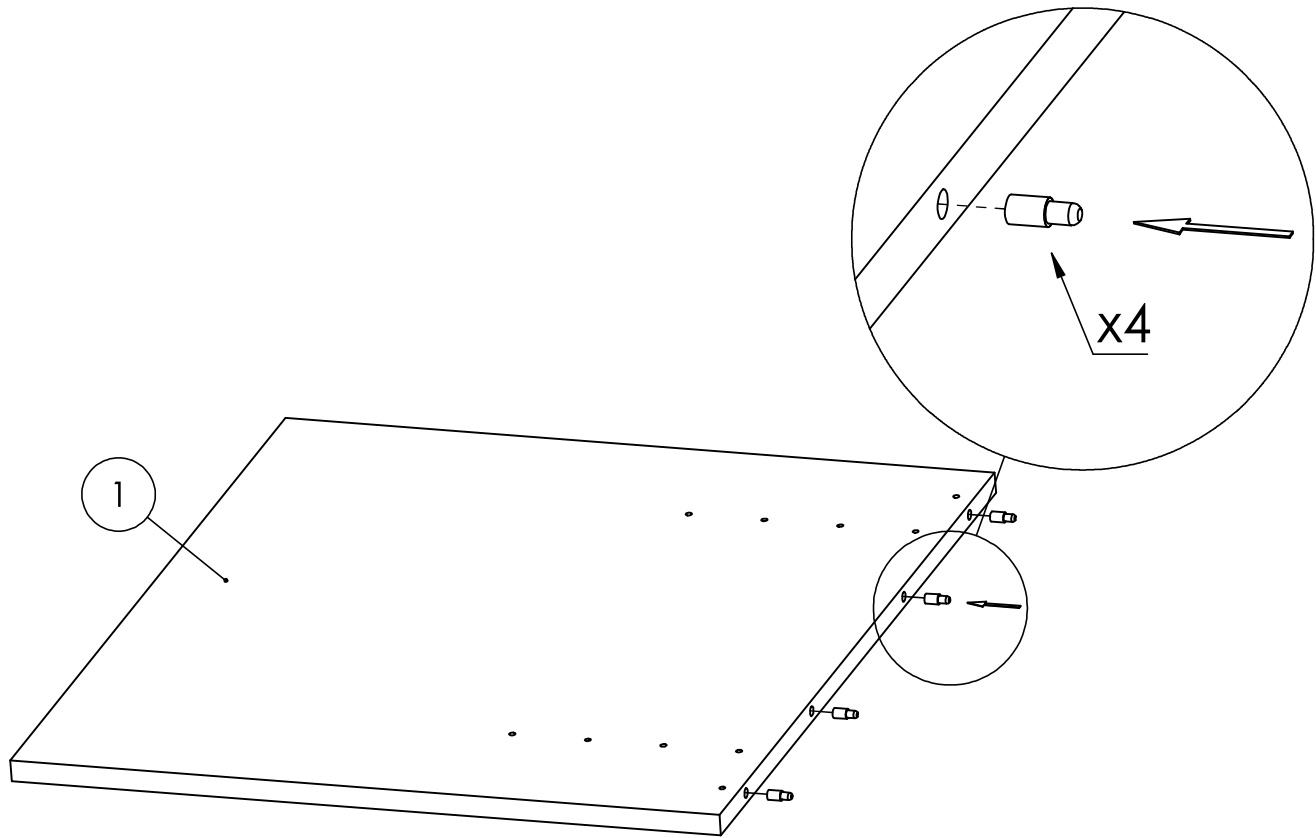


10

A3

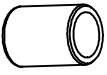


x 4

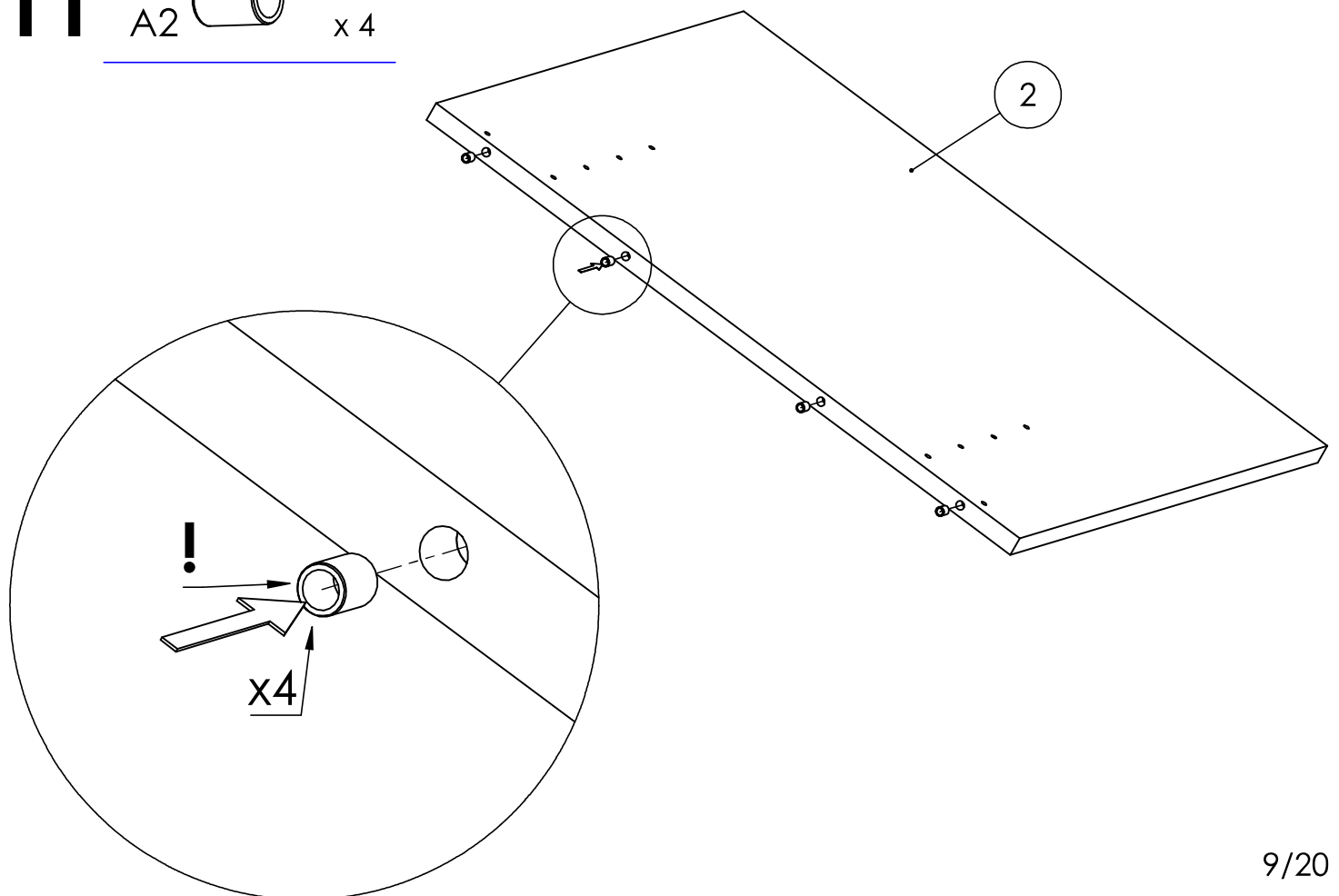


11

A2

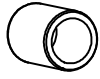


x 4



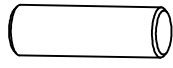
12

A2

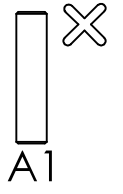
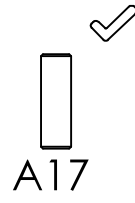


x4

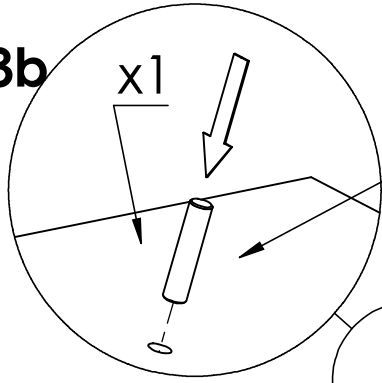
A17



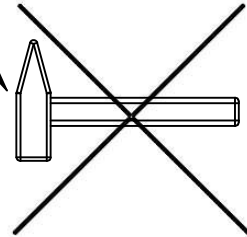
x1



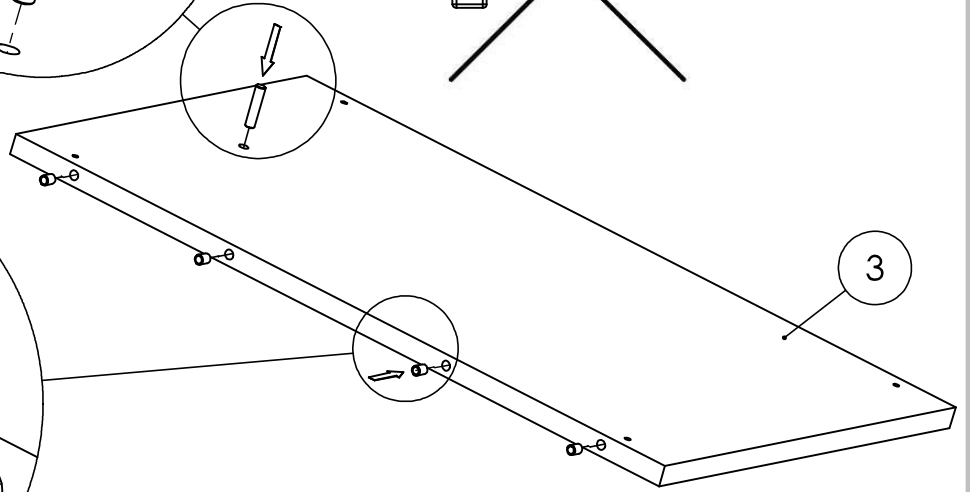
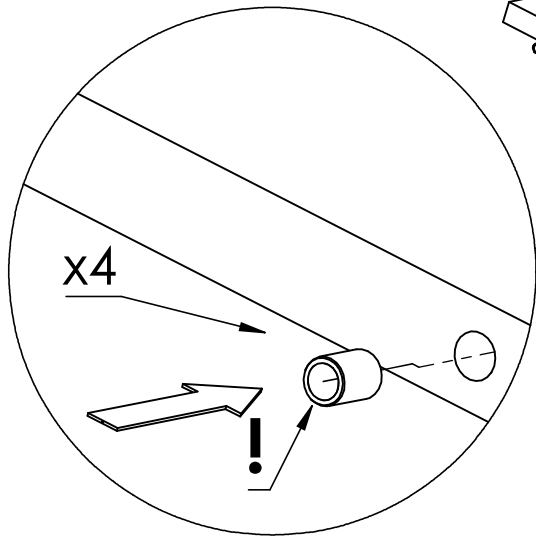
3b



!

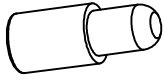


3a

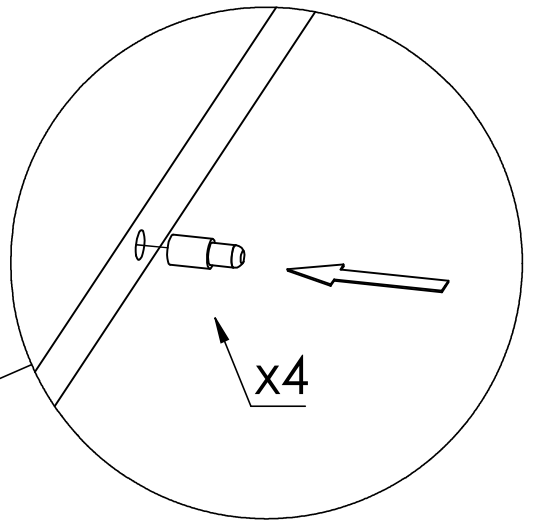
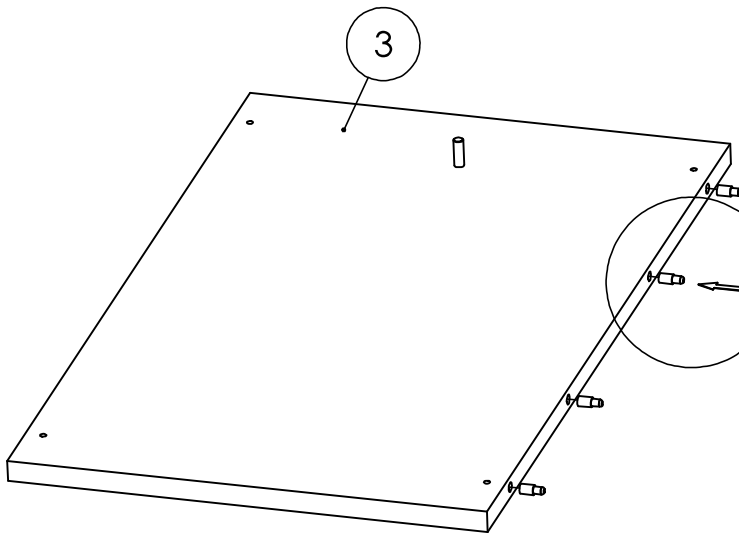


13

A3

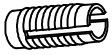


x4

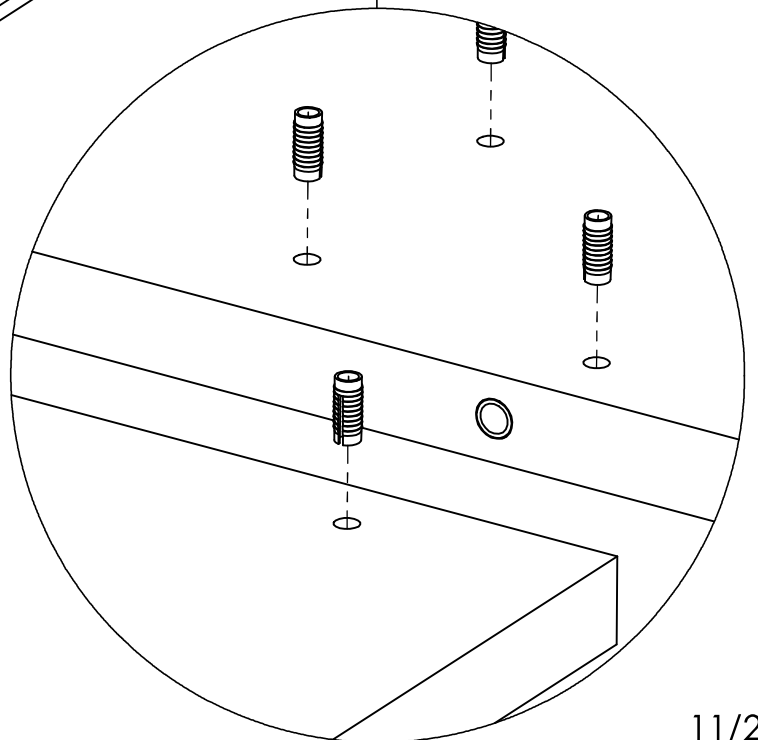
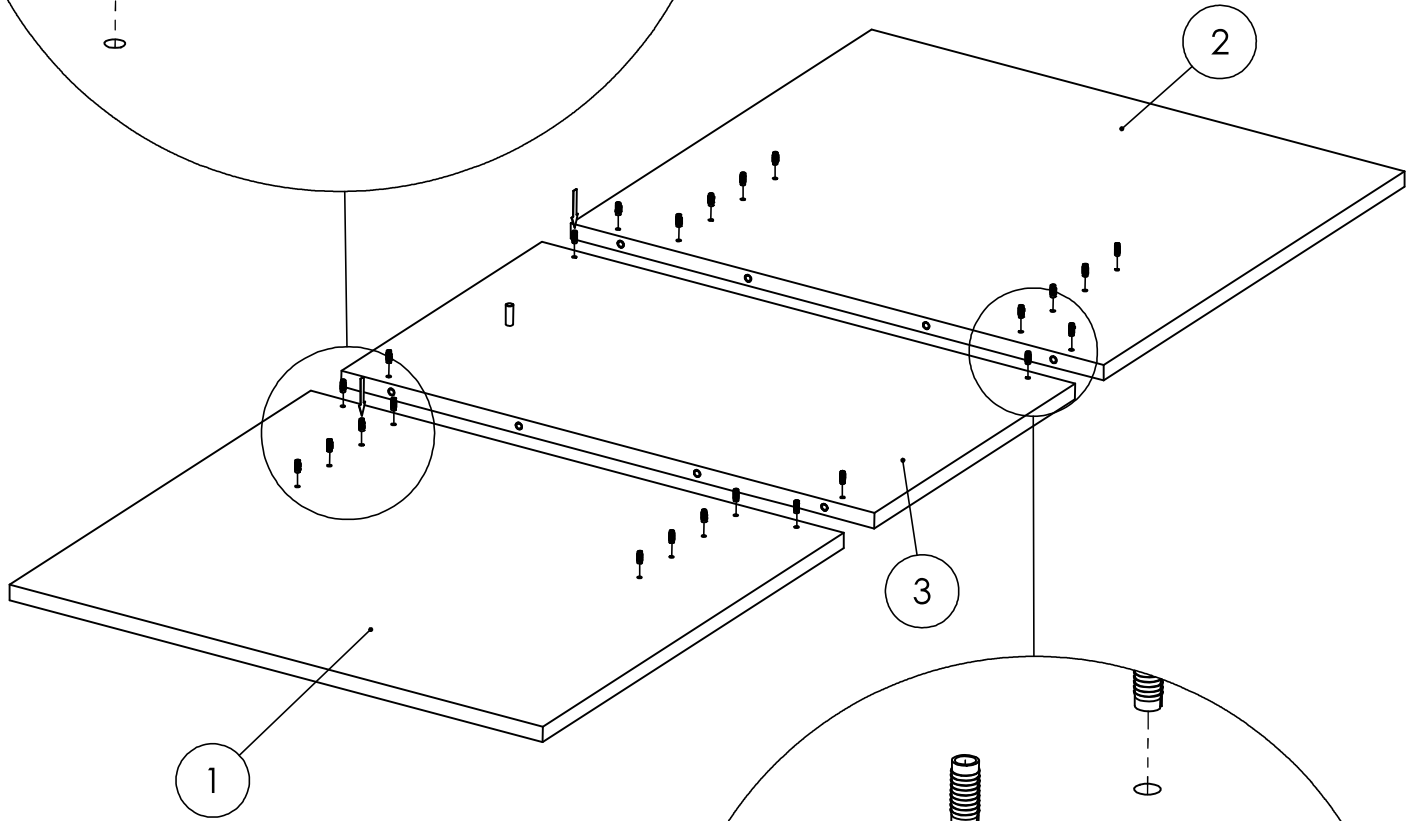
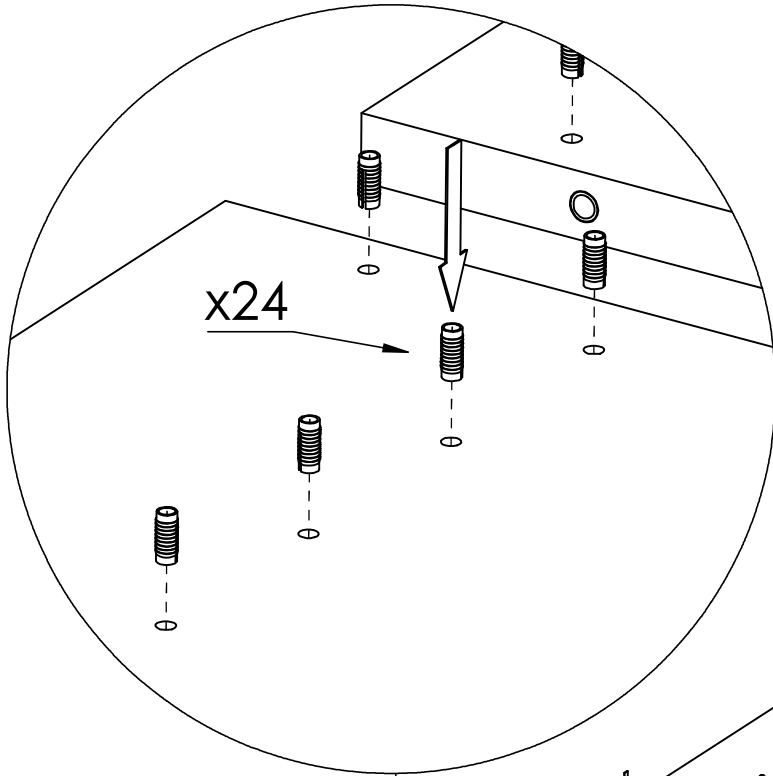


14

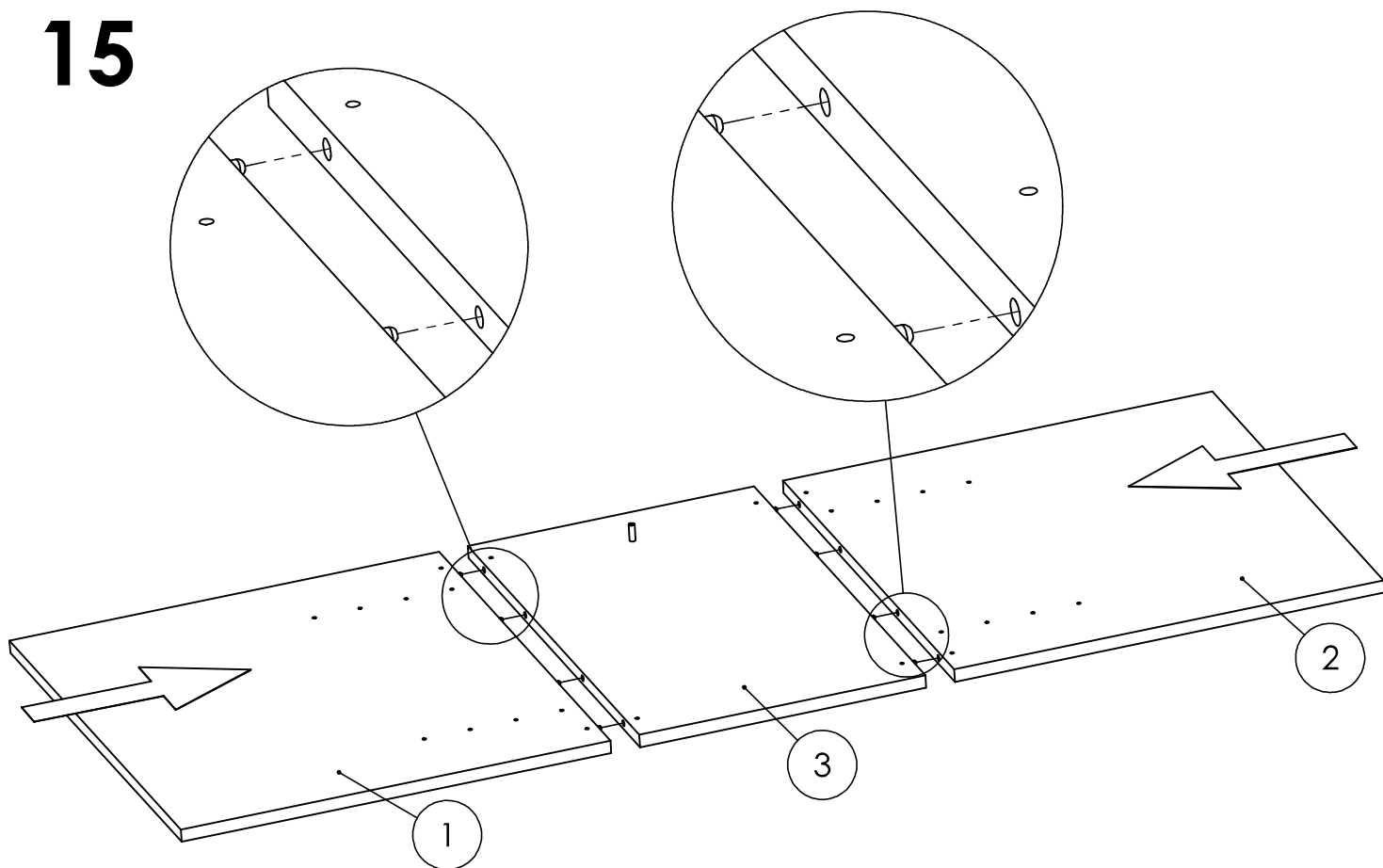
B10



x 24

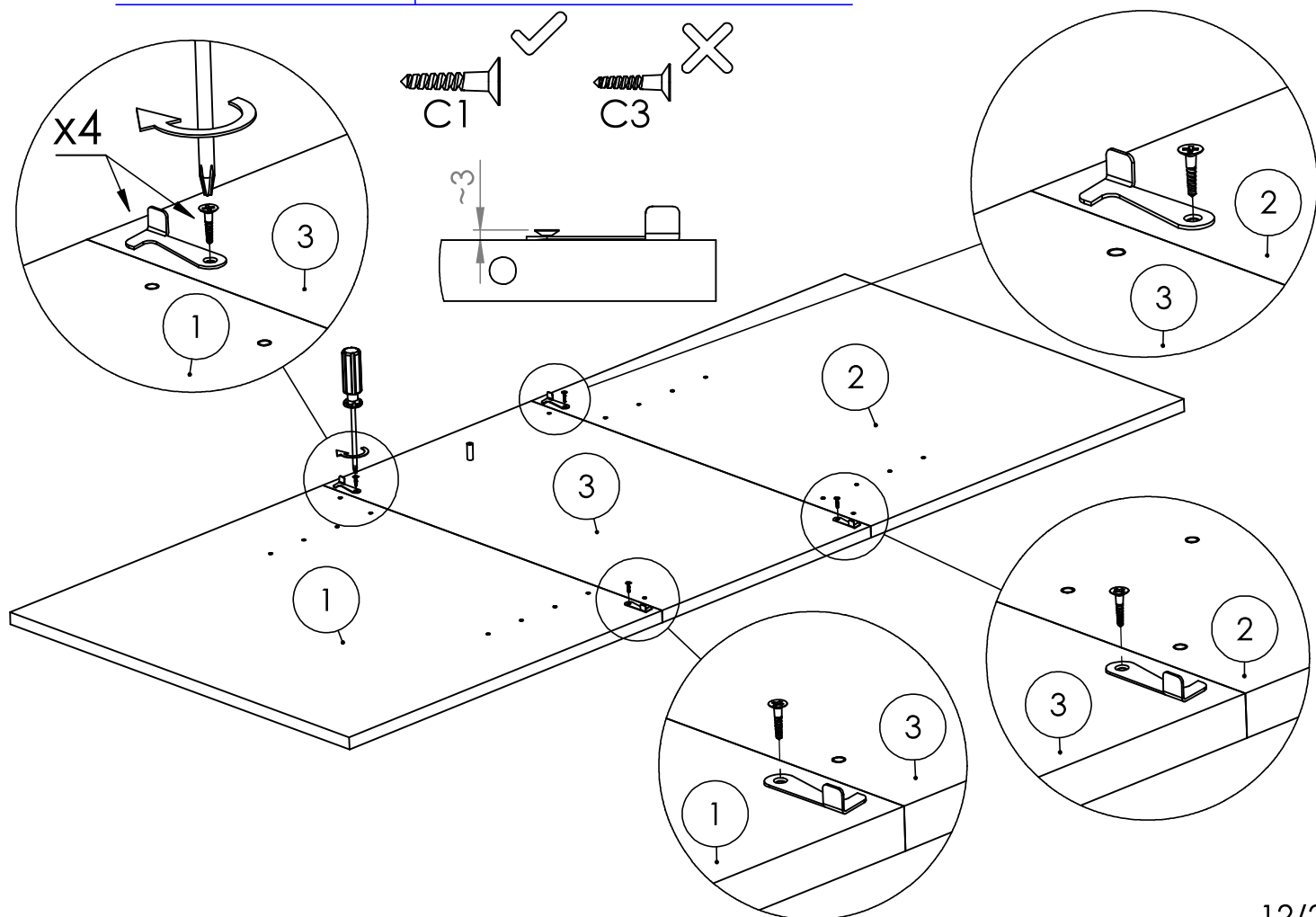


15

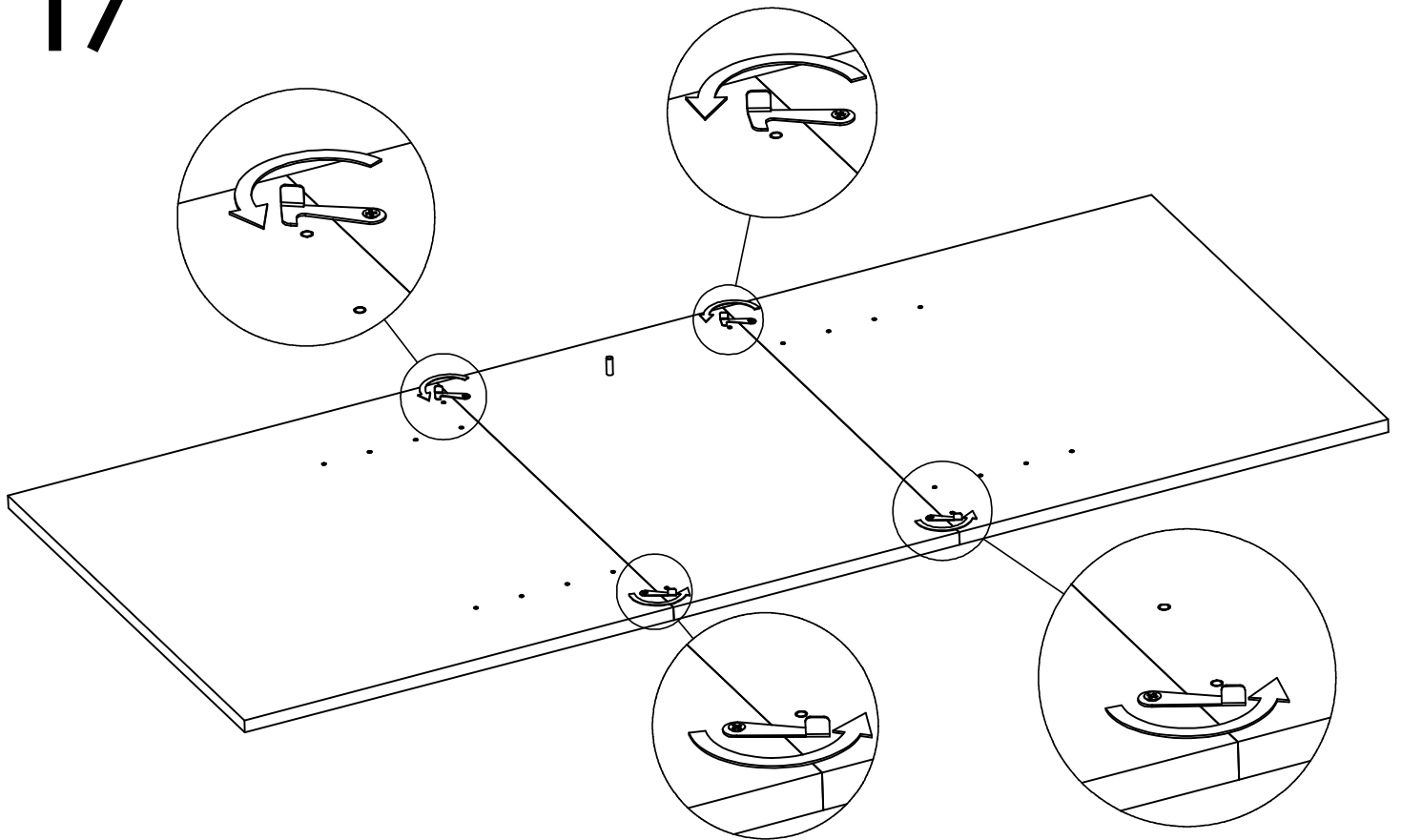


16


C1  x 4 | A7  x 4

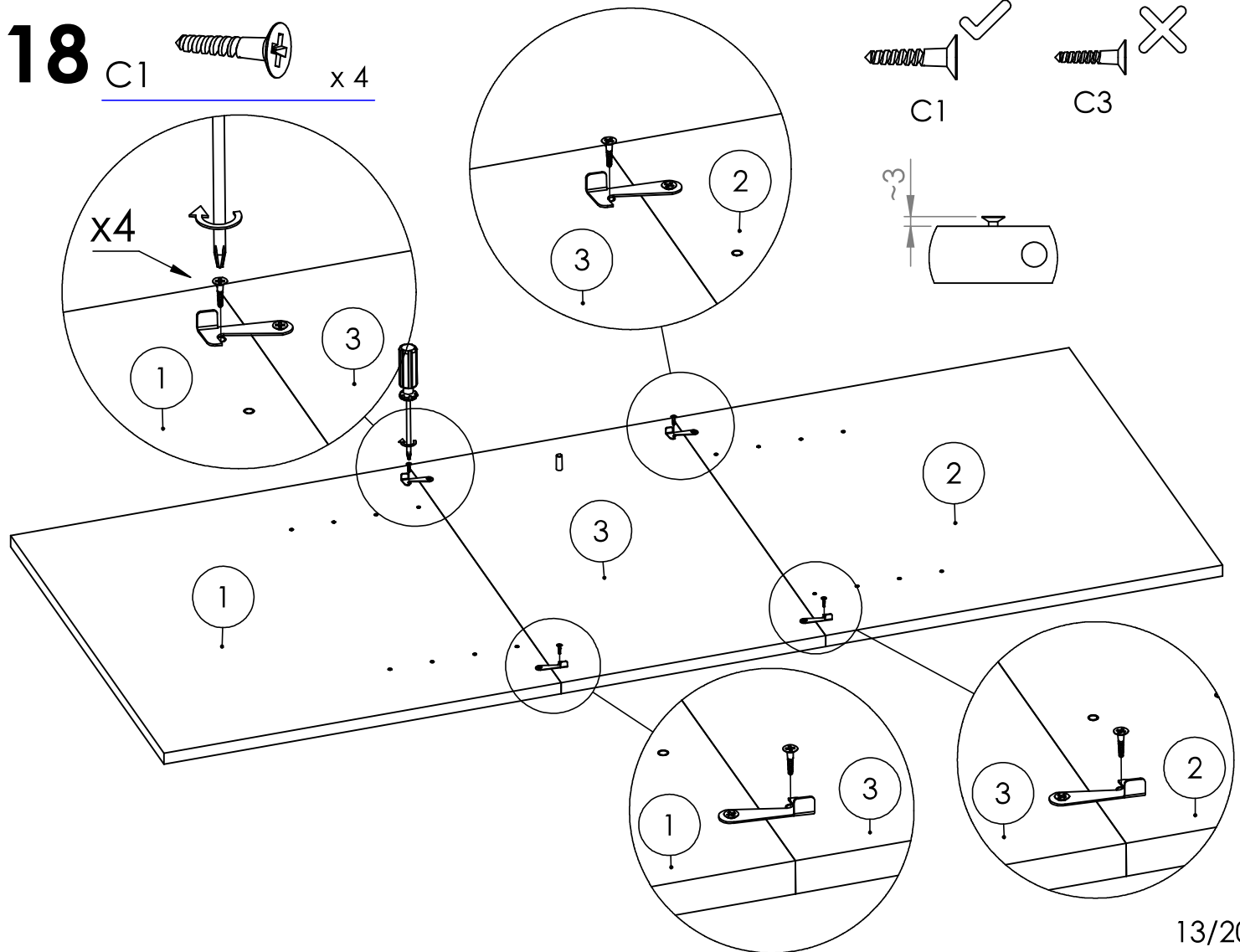
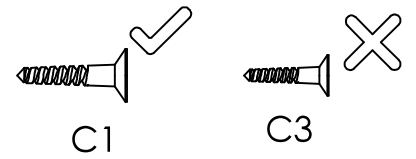


17



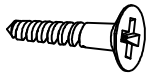
18

C1  x 4



19

C1



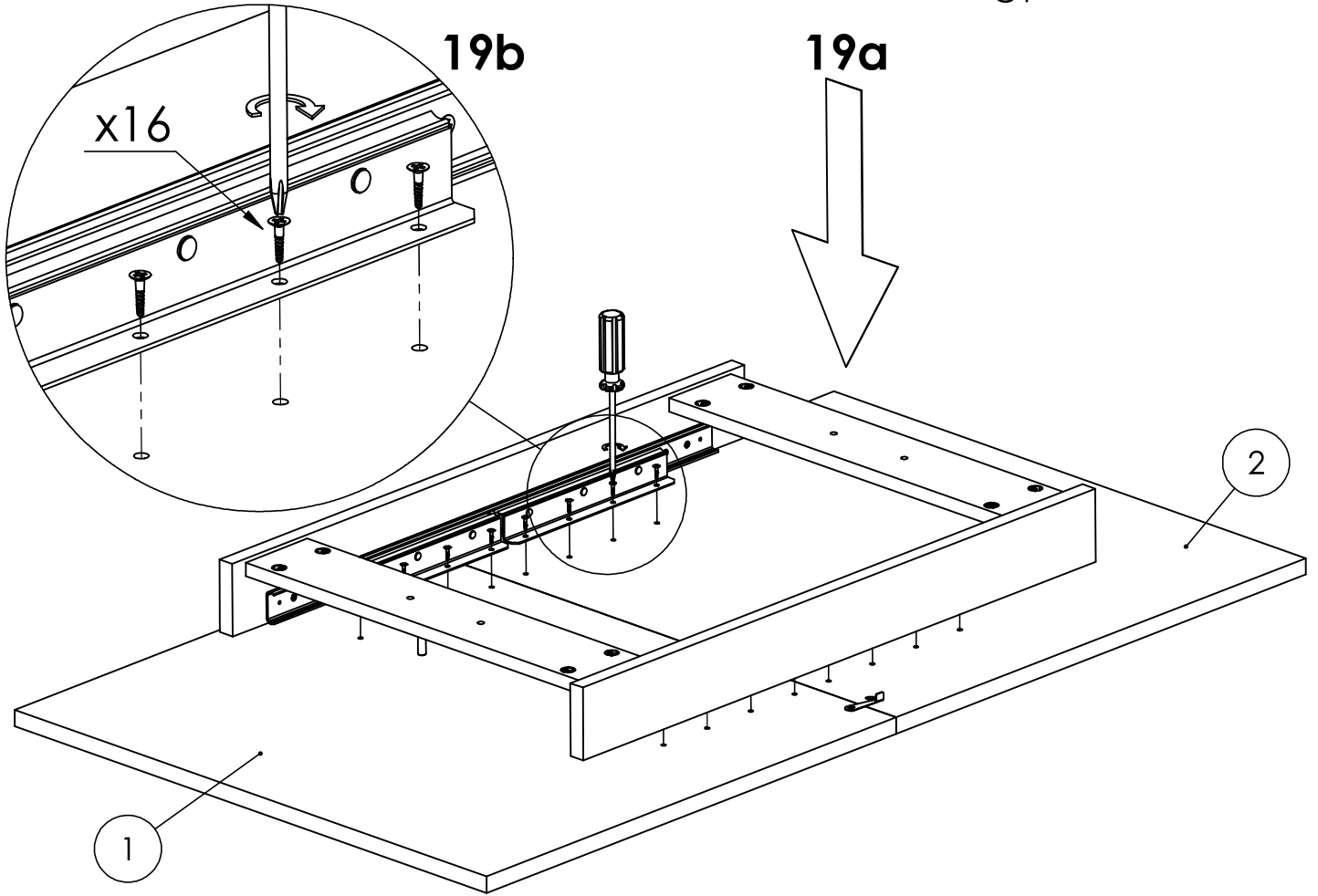
x 16



C1

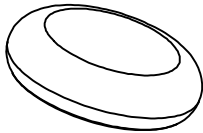


C3



20

B1



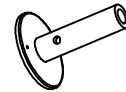
x 1

C3

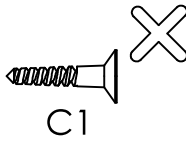


x 2

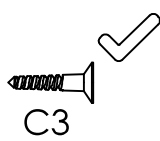
A8



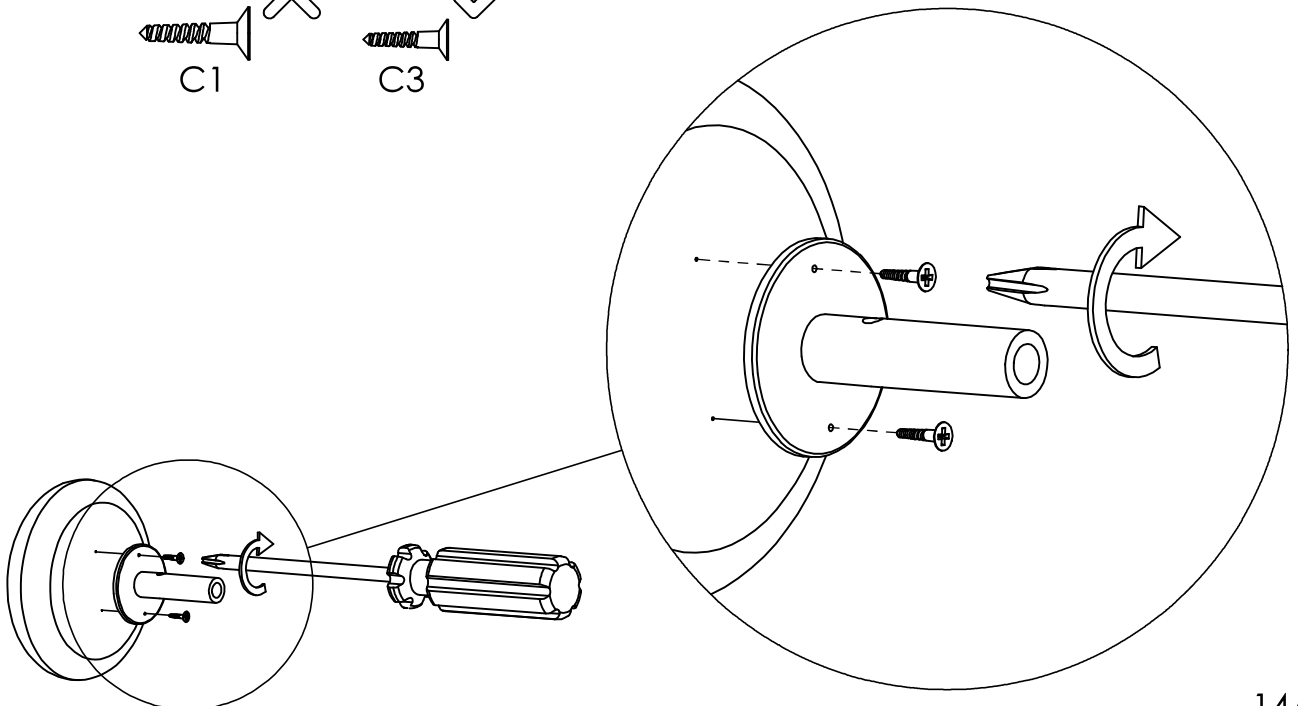
x 1



C1



C3

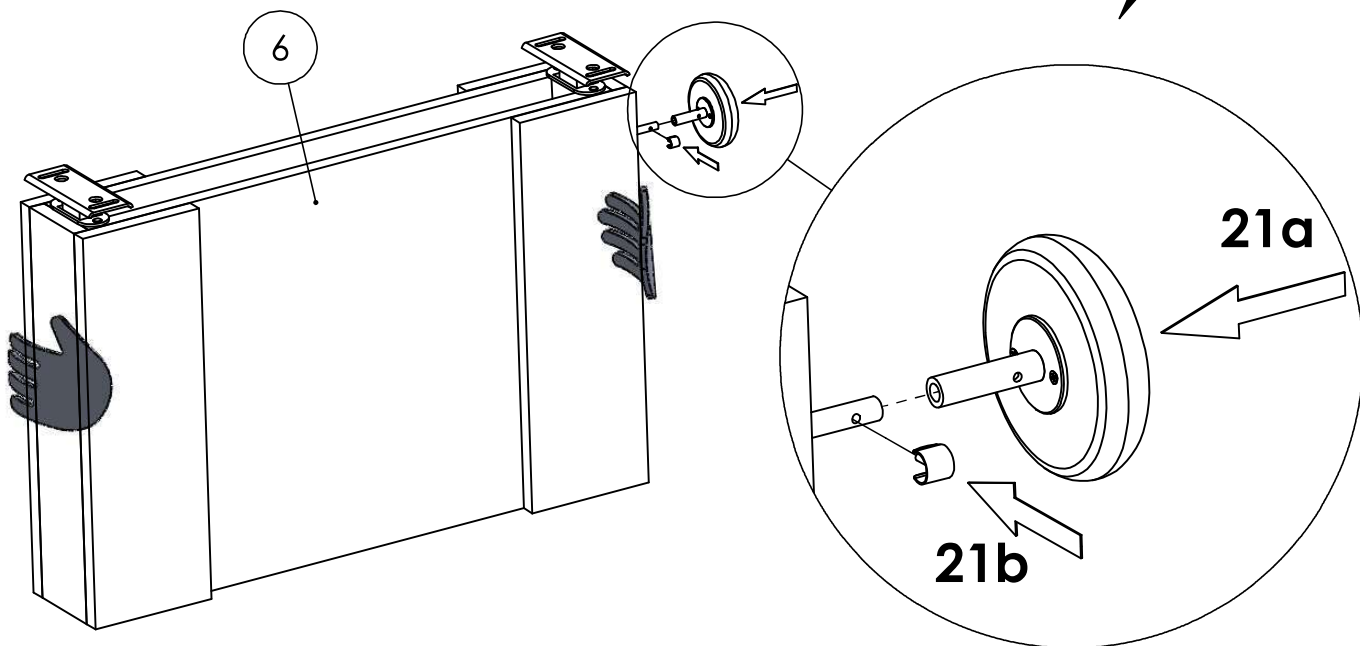
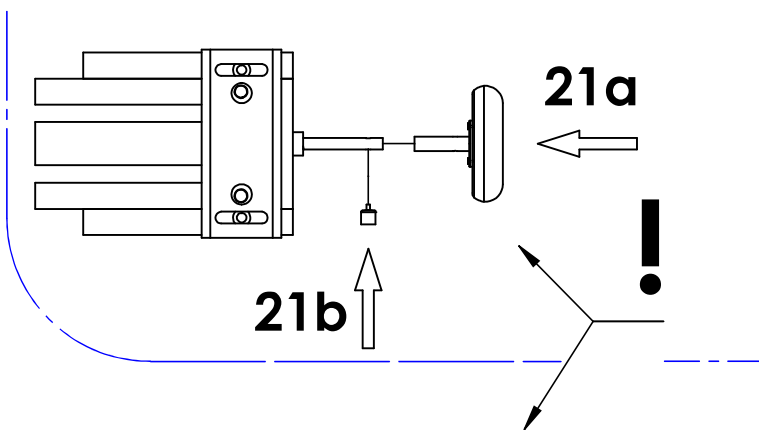
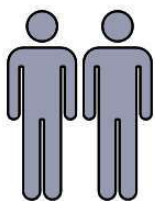


21

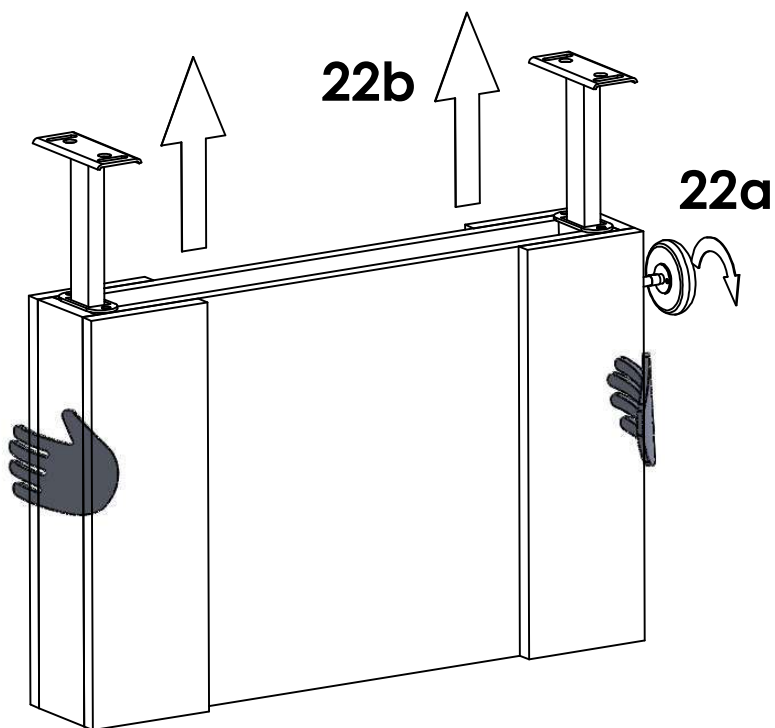
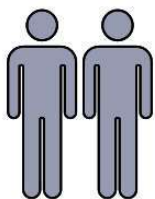
A9





x1

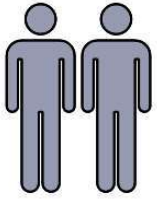


22

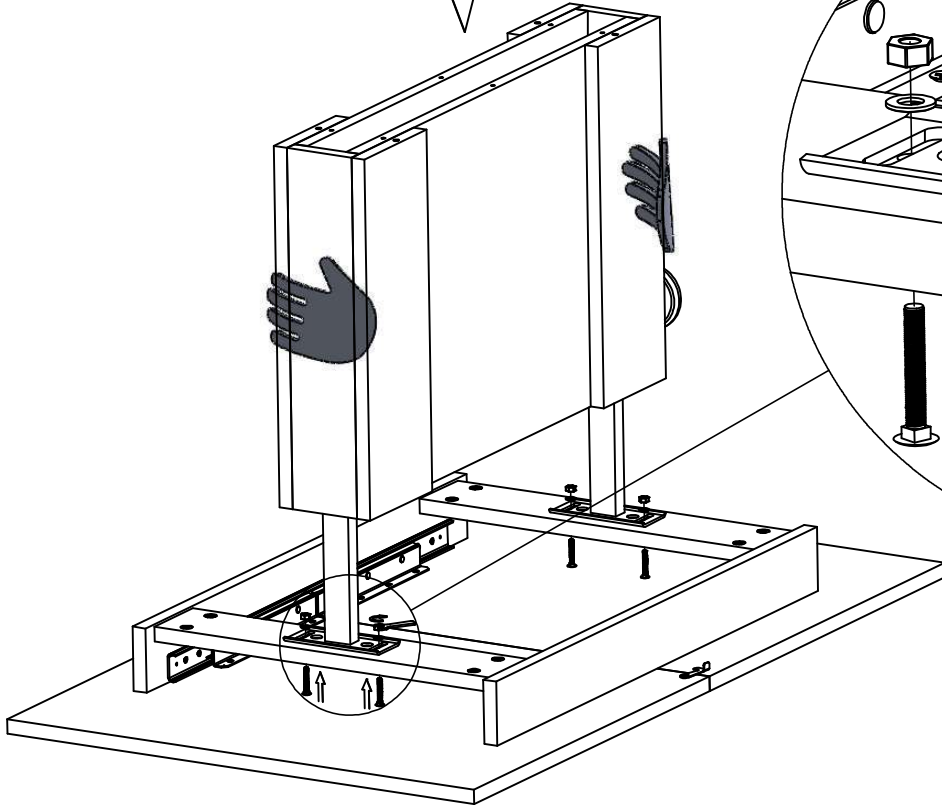


23

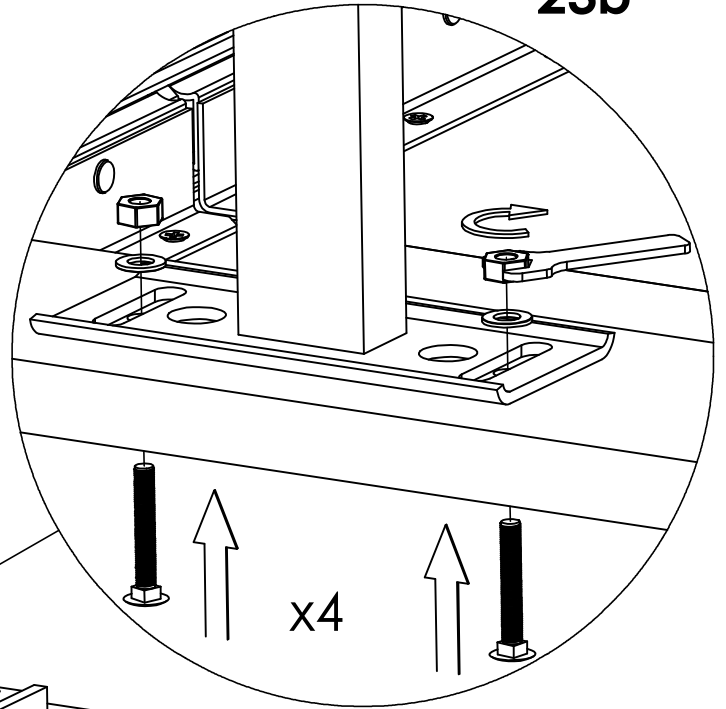
B3  x 4 | B4  x 4 | B5  x 4 | K1  x 1



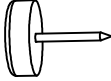
23a

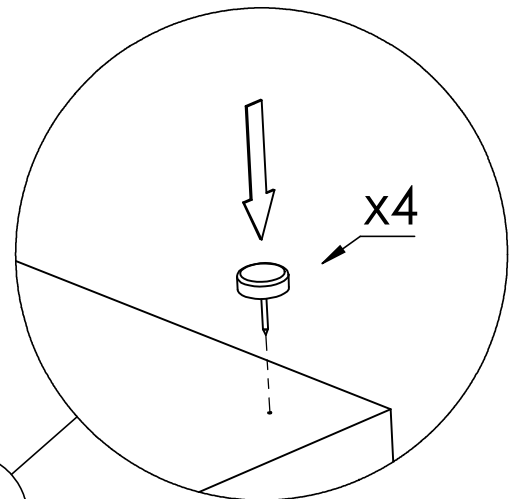
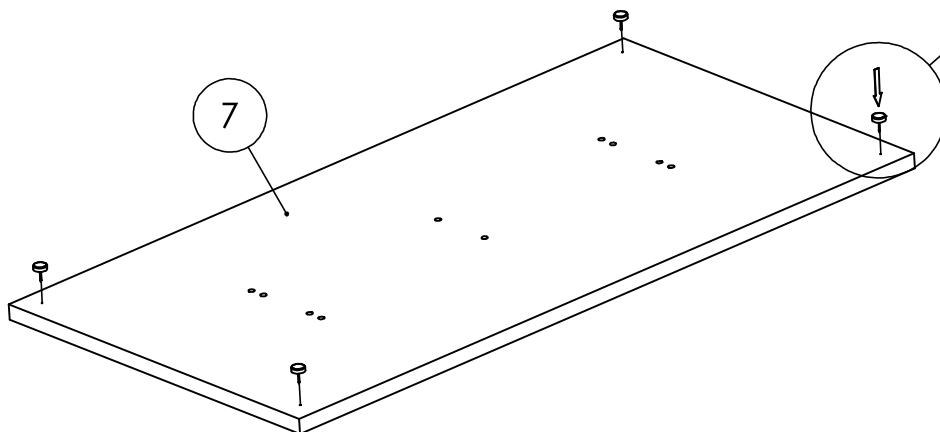


23b



24

B8  x 4



25

A4

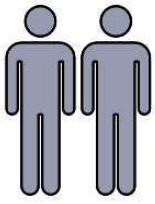


x 10

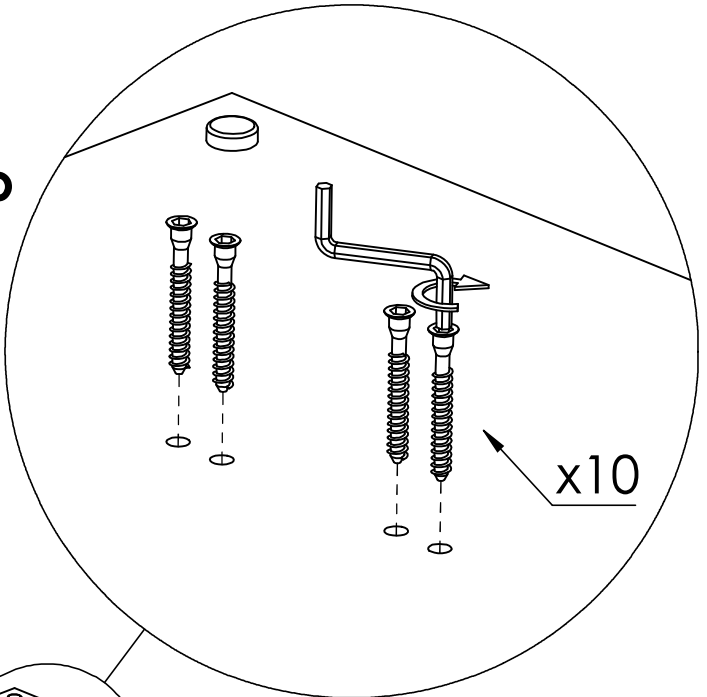
K4



x 1

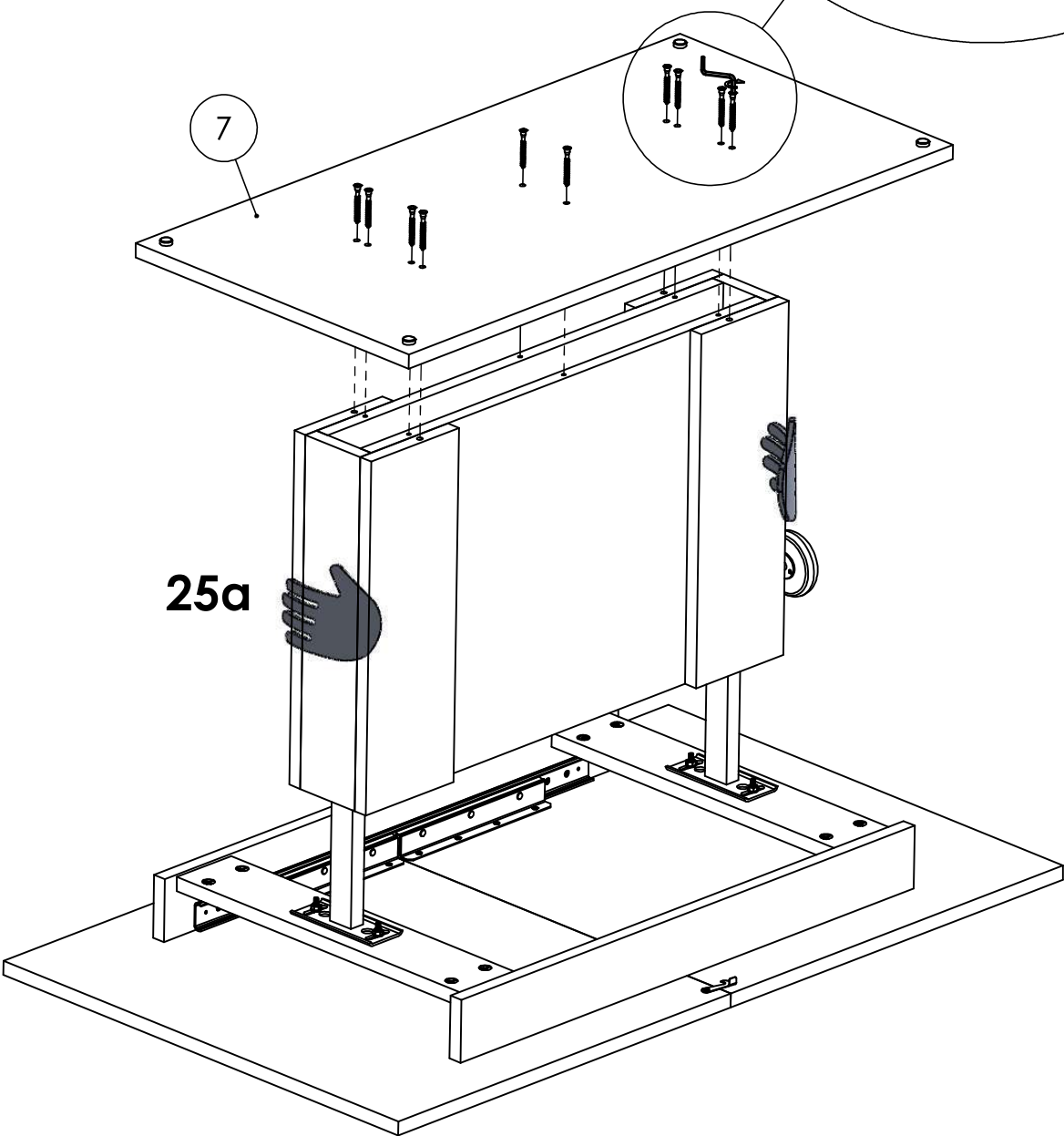


25b

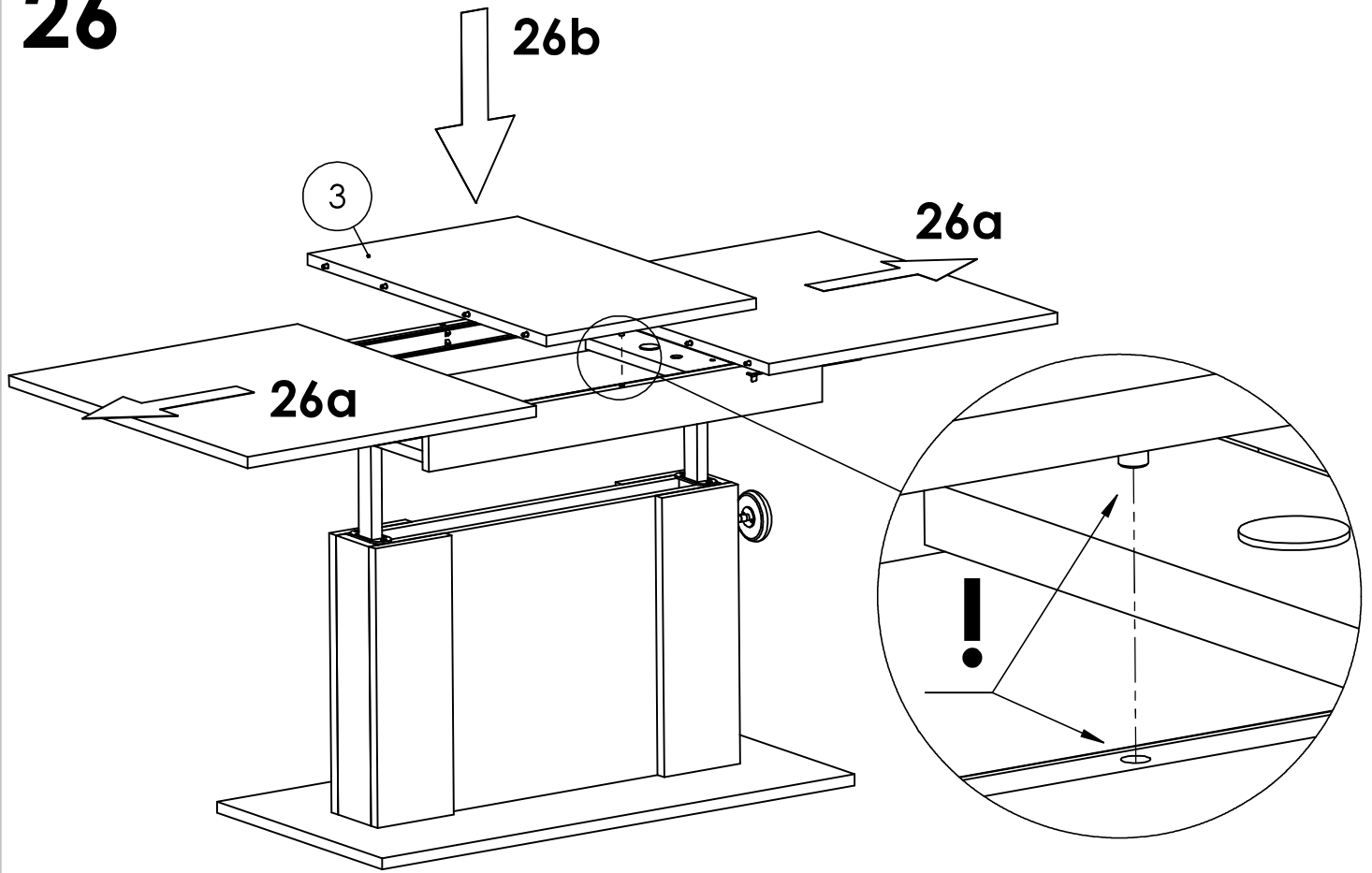


7

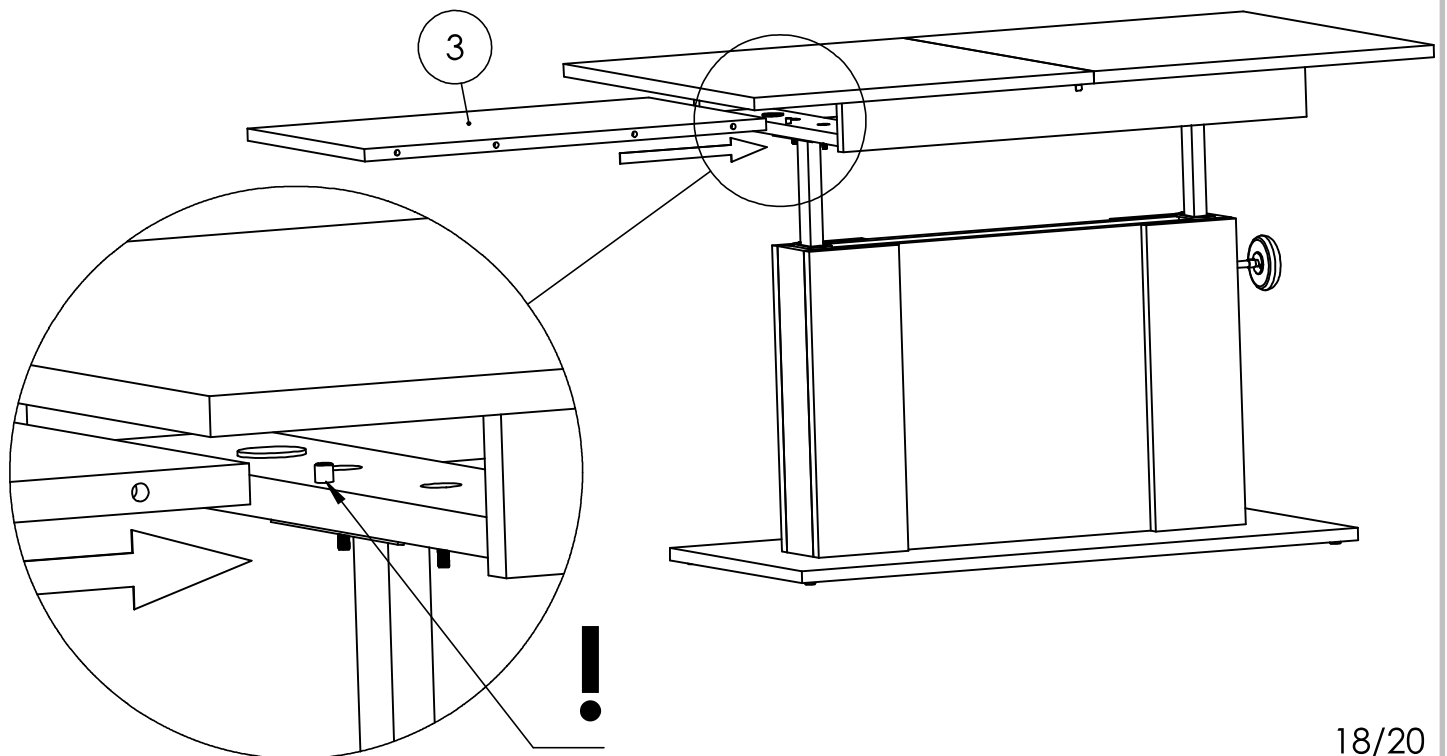
25a



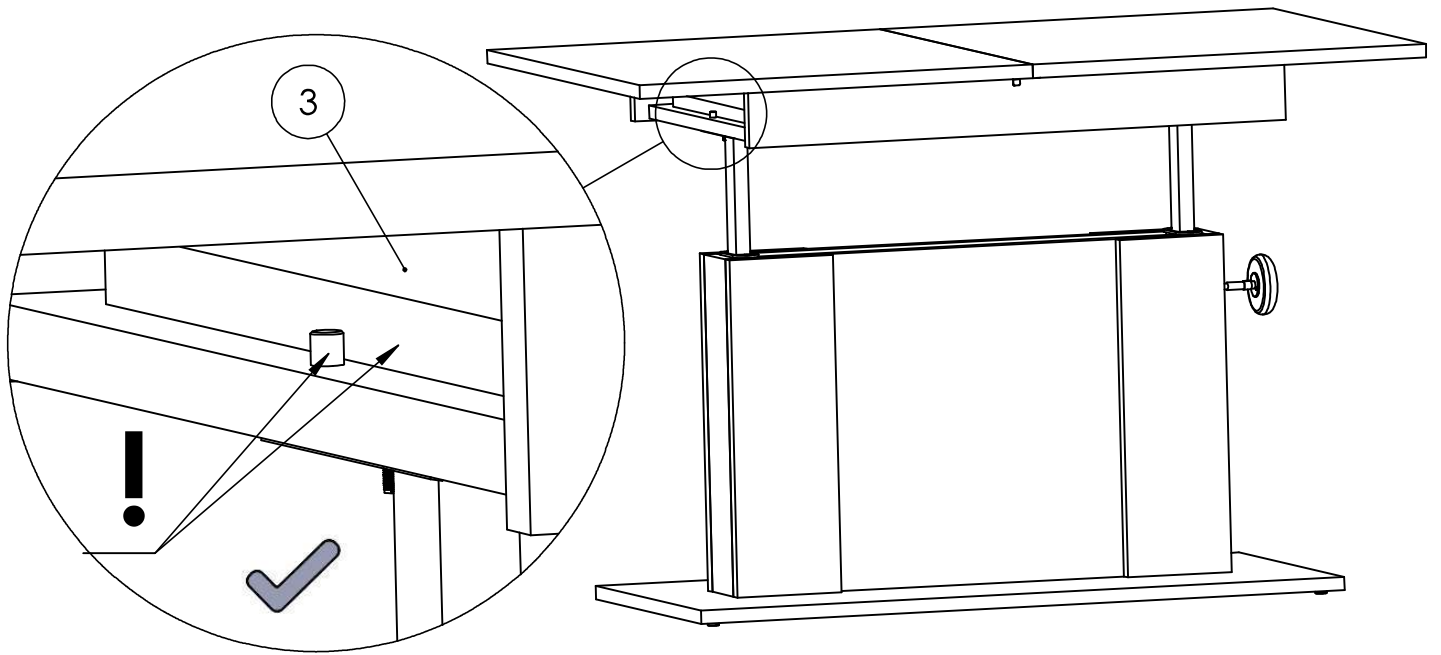
26



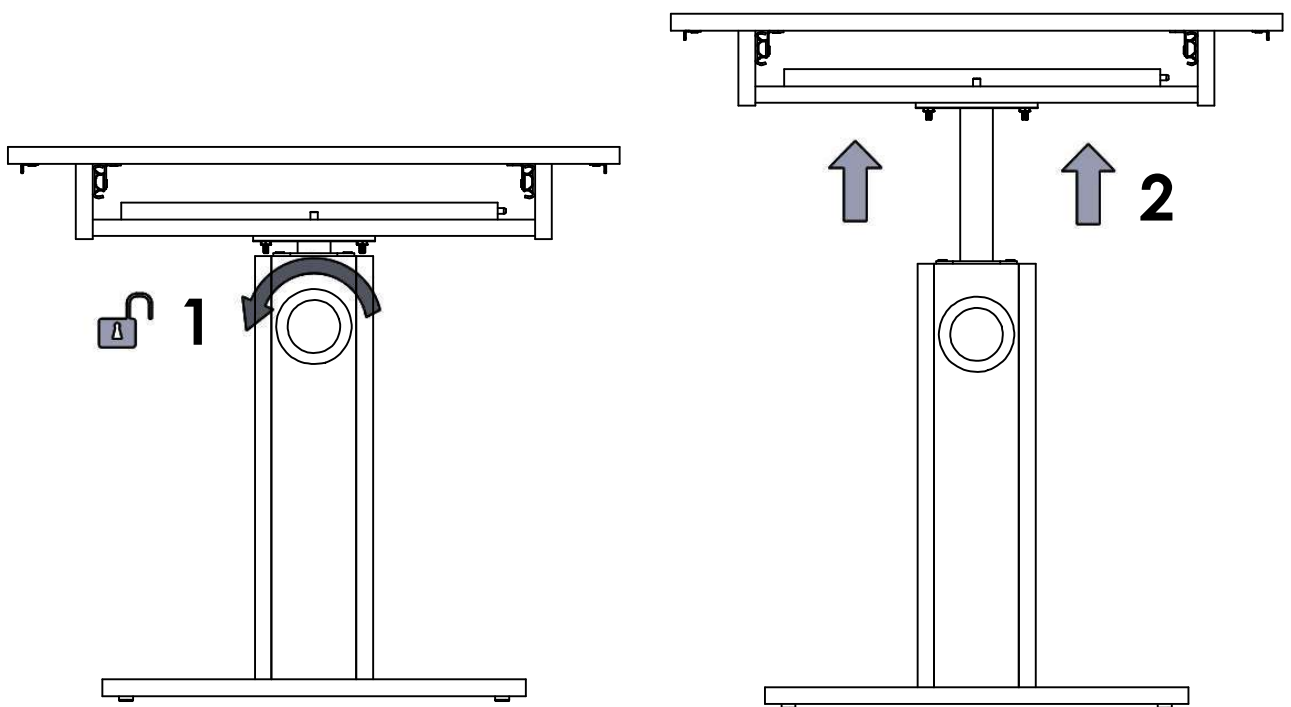
27



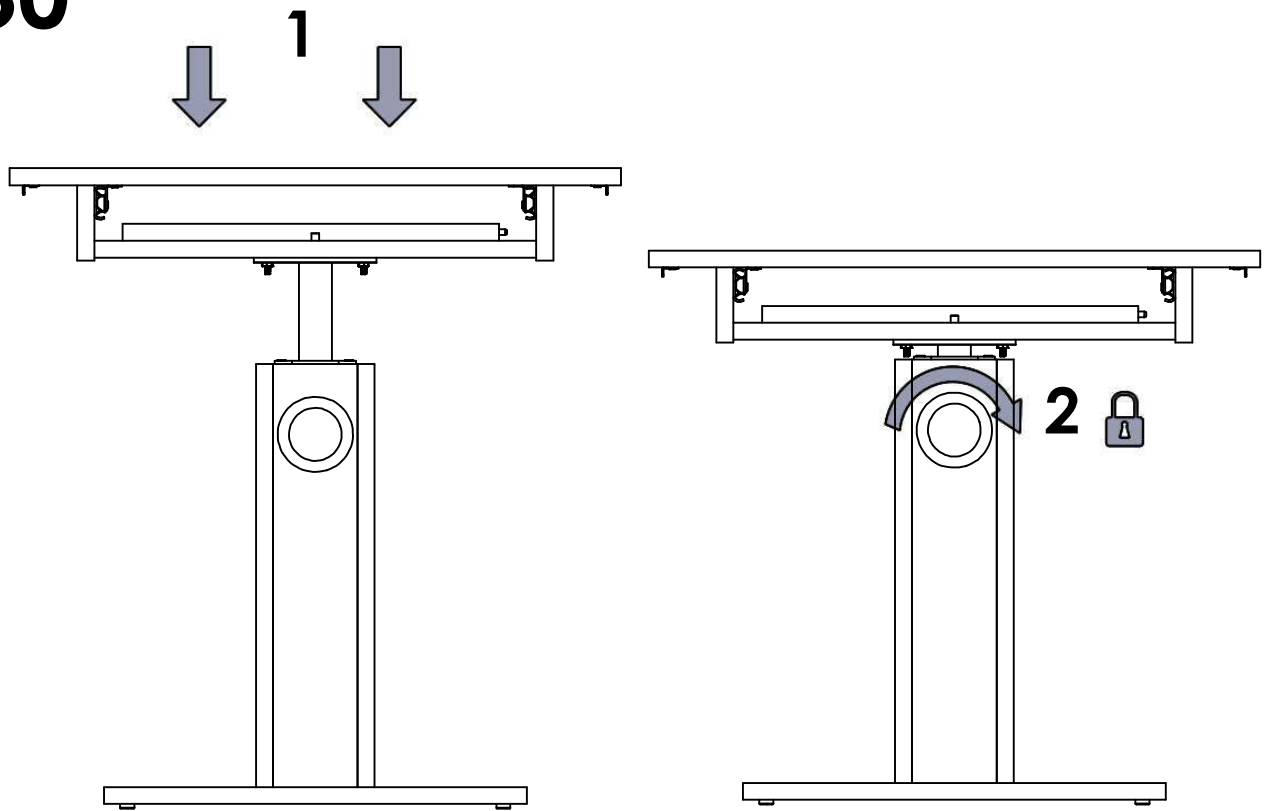
28



29



30



31

