

S442-FRN/153

A	B	C (mm)			D
1	S442-0009	775	634	15	6/9, 7/9
2	S442-0010	775	634	15	8/9, 9/9
3	S442-0011	775	634	15	6/9, 7/9

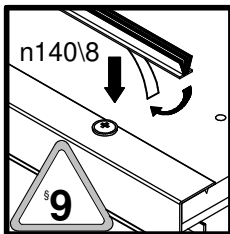
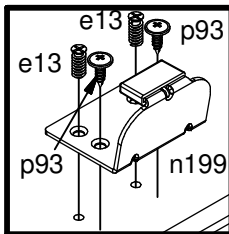
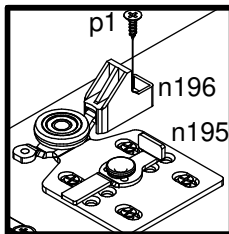
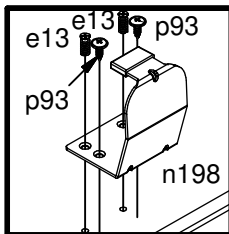
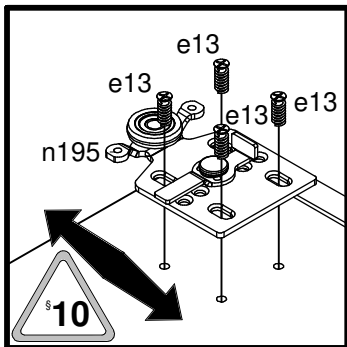
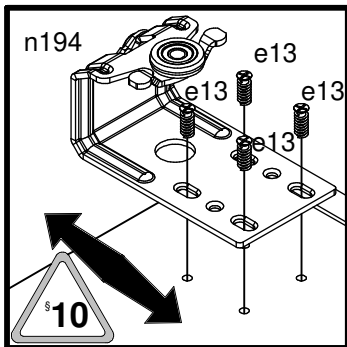
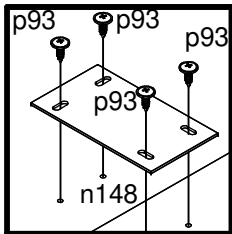
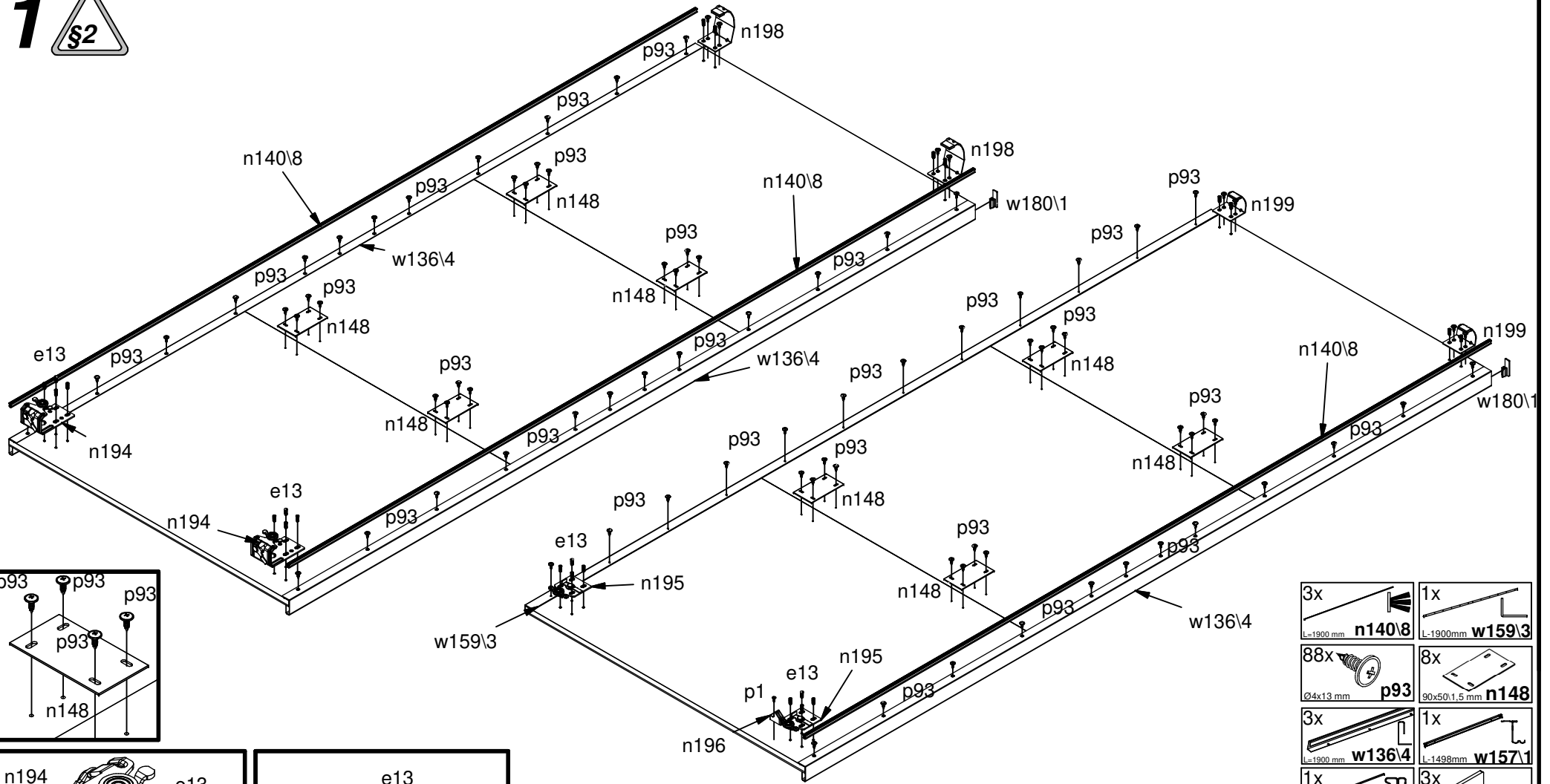
S442-FRN/153-2M

A	B	C (mm)			D
4	S442-0012	775	634	15	6/9, 7/9
5	S442-0013	775	634	15	8/9, 9/9
6	S442-0014	775	634	15	6/9, 7/9

S442-FRN/153-M

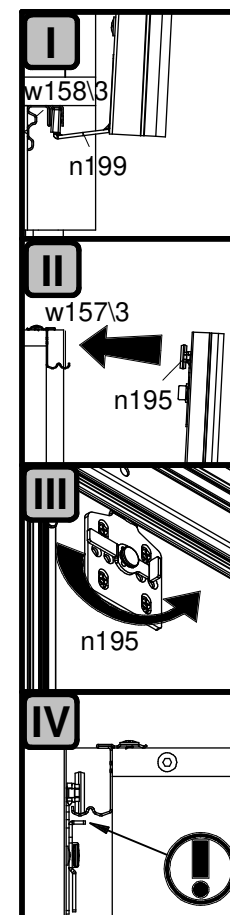
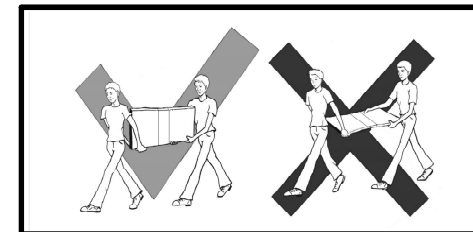
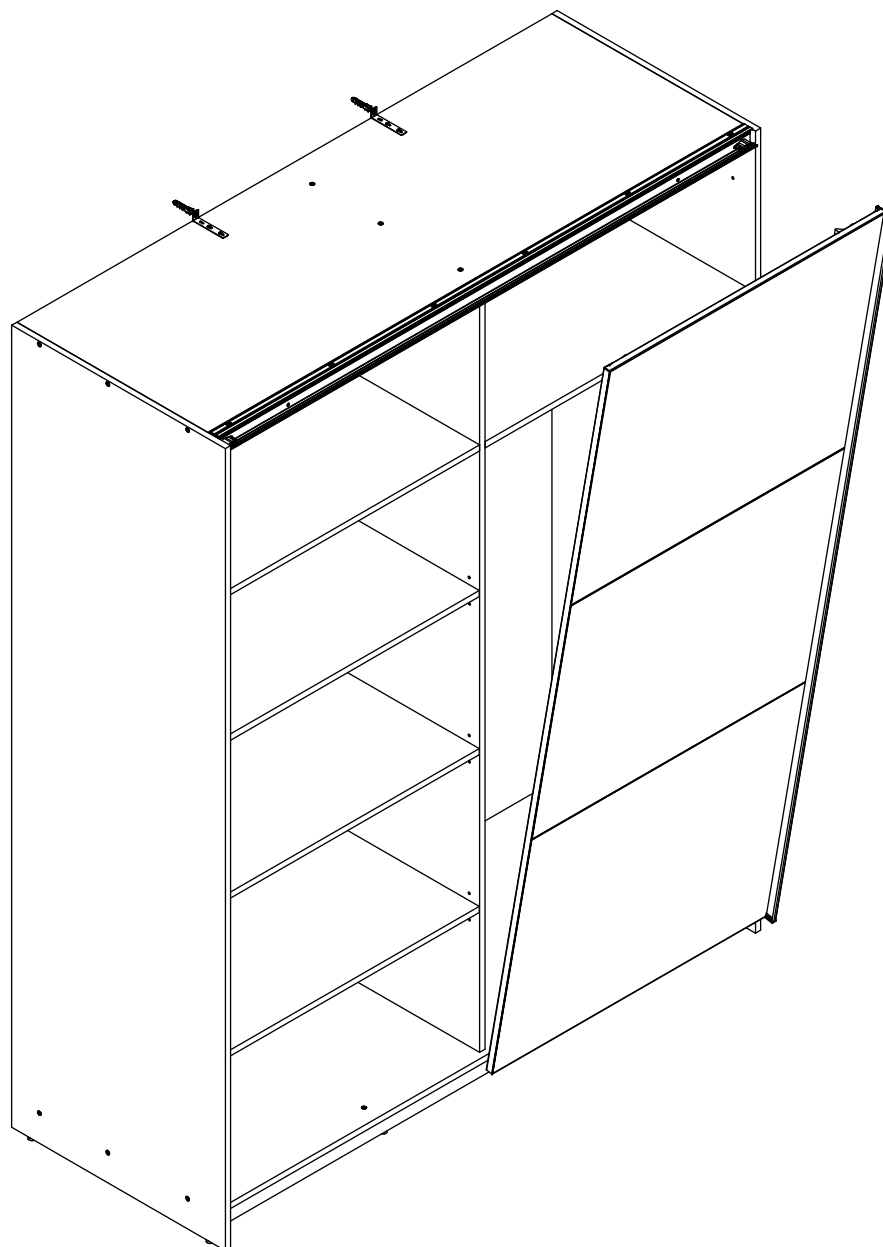
A	B	C (mm)			D
1	S442-0009	775	634	15	6/9, 7/9
2	S442-0010	775	634	15	8/9, 9/9
3	S442-0011	775	634	15	6/9, 7/9
4	S442-0012	775	634	15	6/9, 7/9
5	S442-0013	775	634	15	8/9, 9/9
6	S442-0014	775	634	15	6/9, 7/9

1 §2

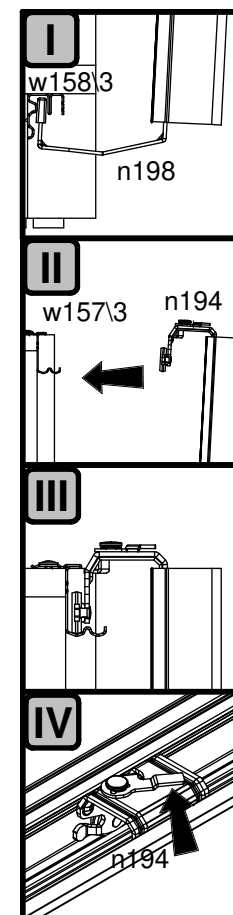
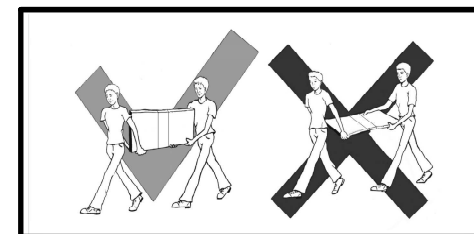


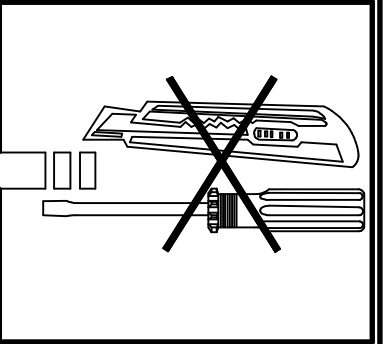
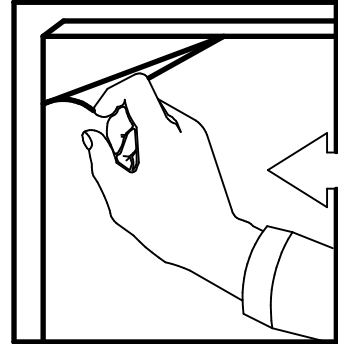
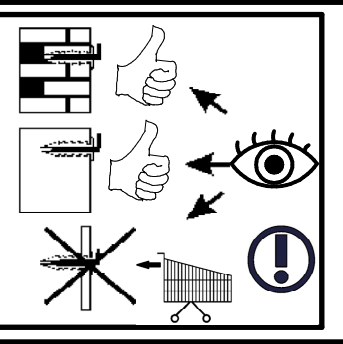
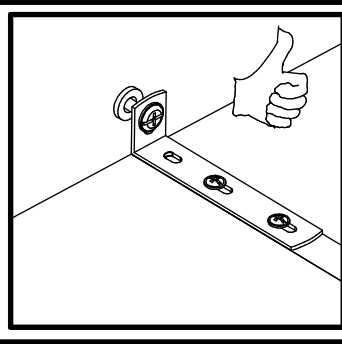
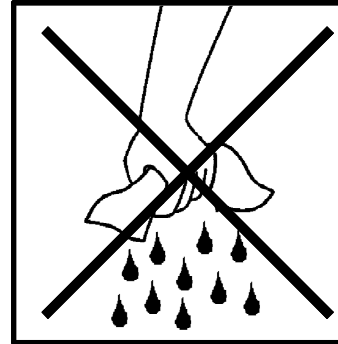
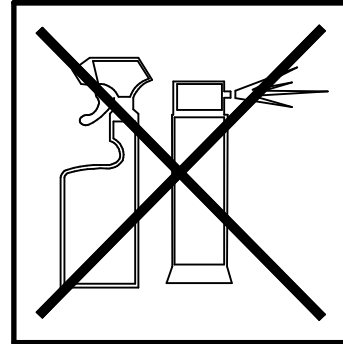
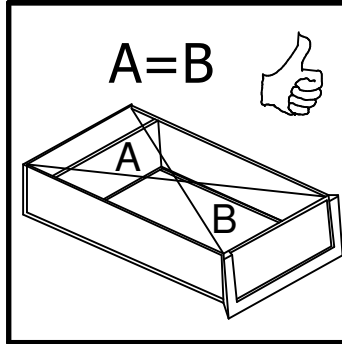
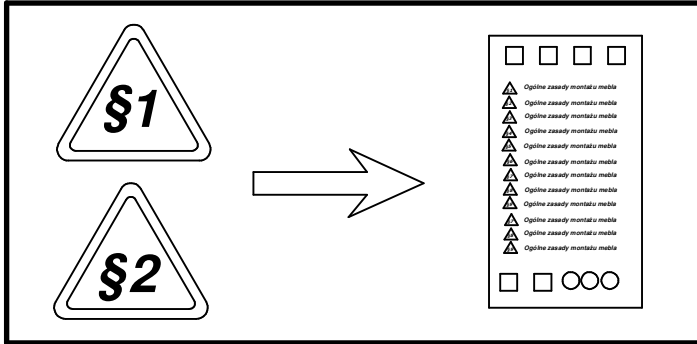
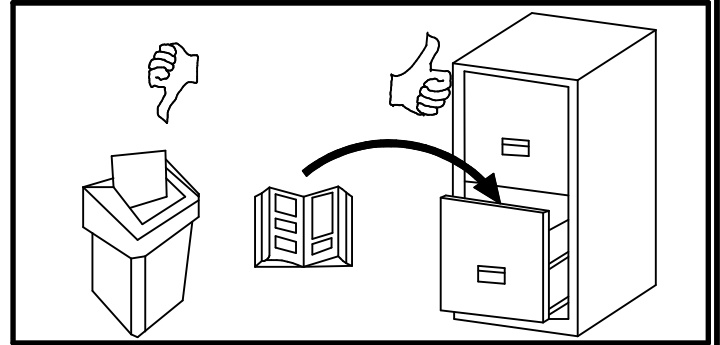
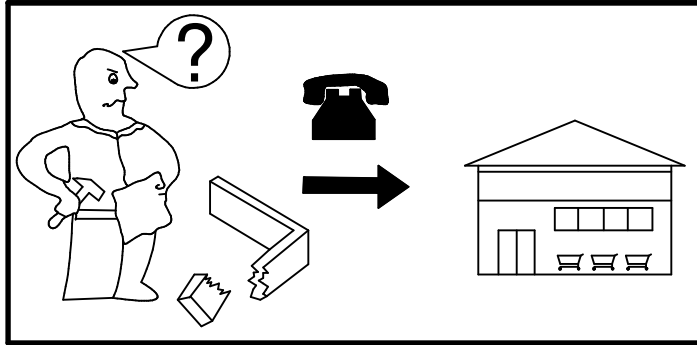
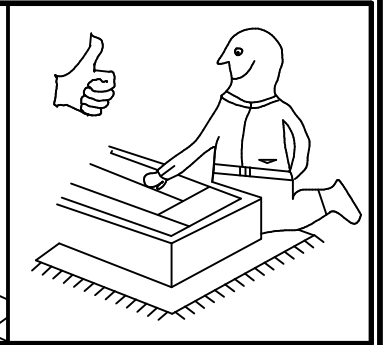
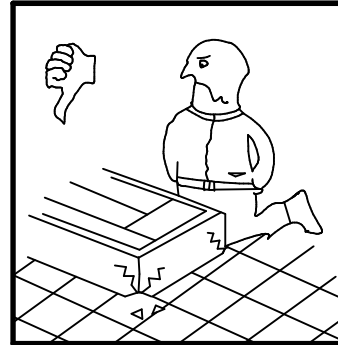
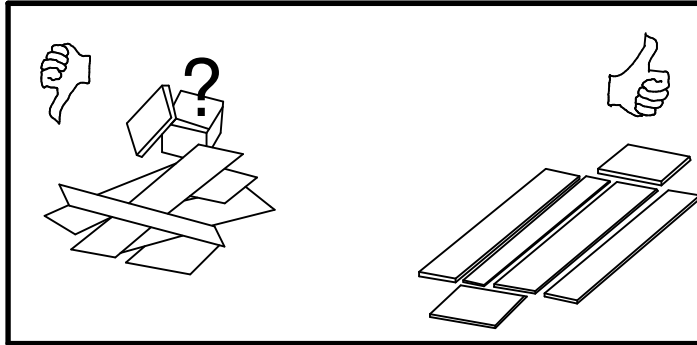
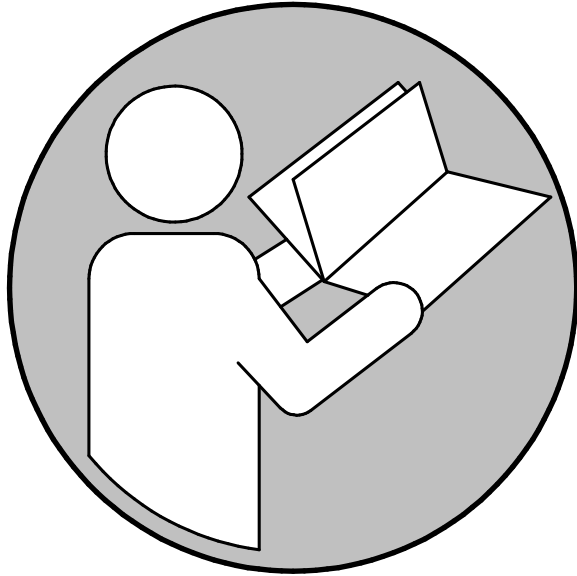
3x L=1900 mm n140\8	1x L=1900mm w159\3
88x Ø4x13 mm p93	8x 90x50,1,5 mm n148
3x L=1900 mm w136\4	1x L=1498mm w157\1
1x L=1498mm w158\1	3x w180\1
1x Ø3,5x13 mm p1	1x n196
2x n198	2x n199
2x n194	2x n195

2



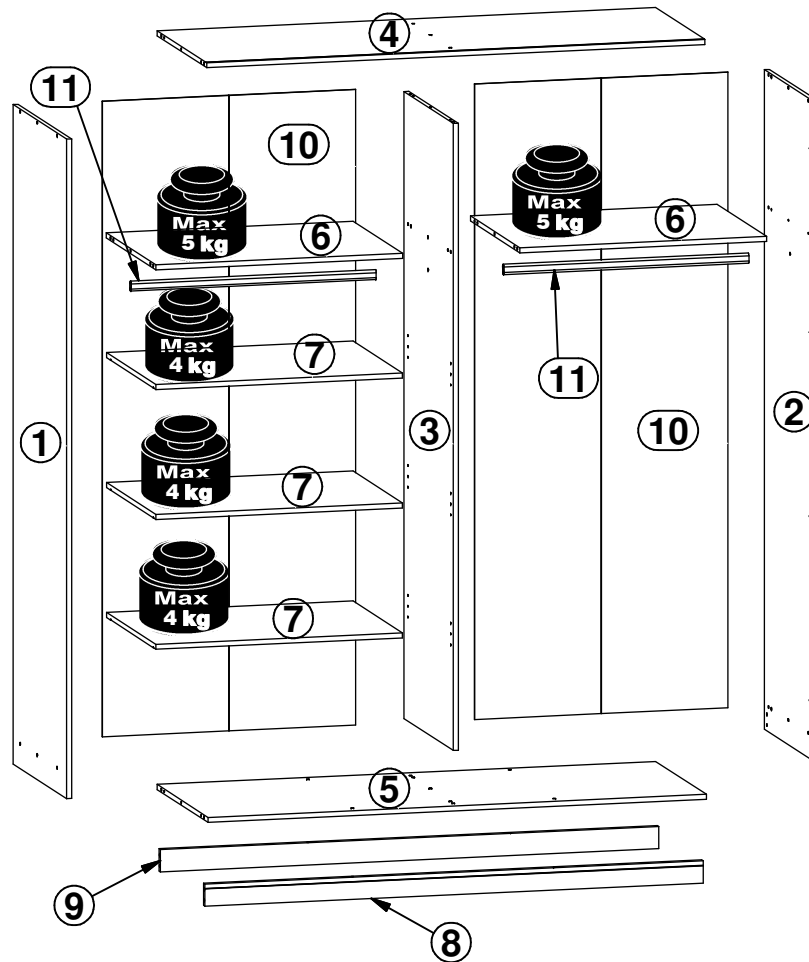
3



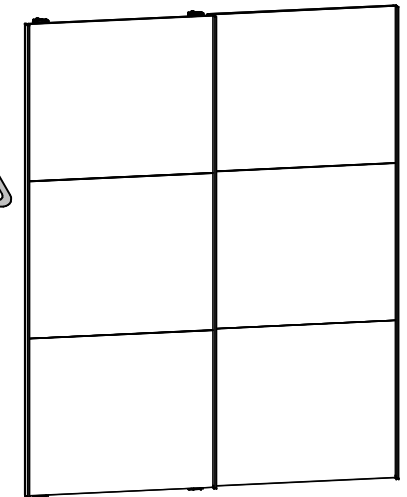


Ø10 mm

2 h

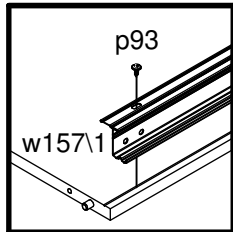
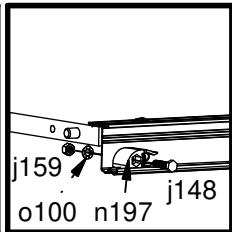
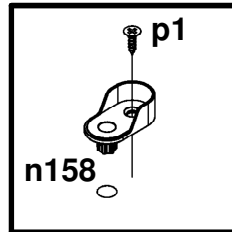
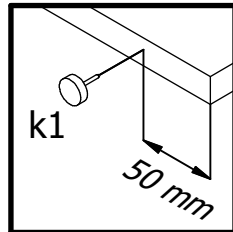
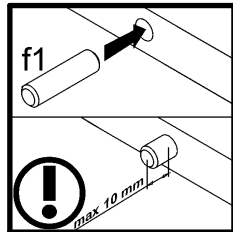
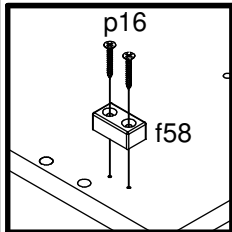
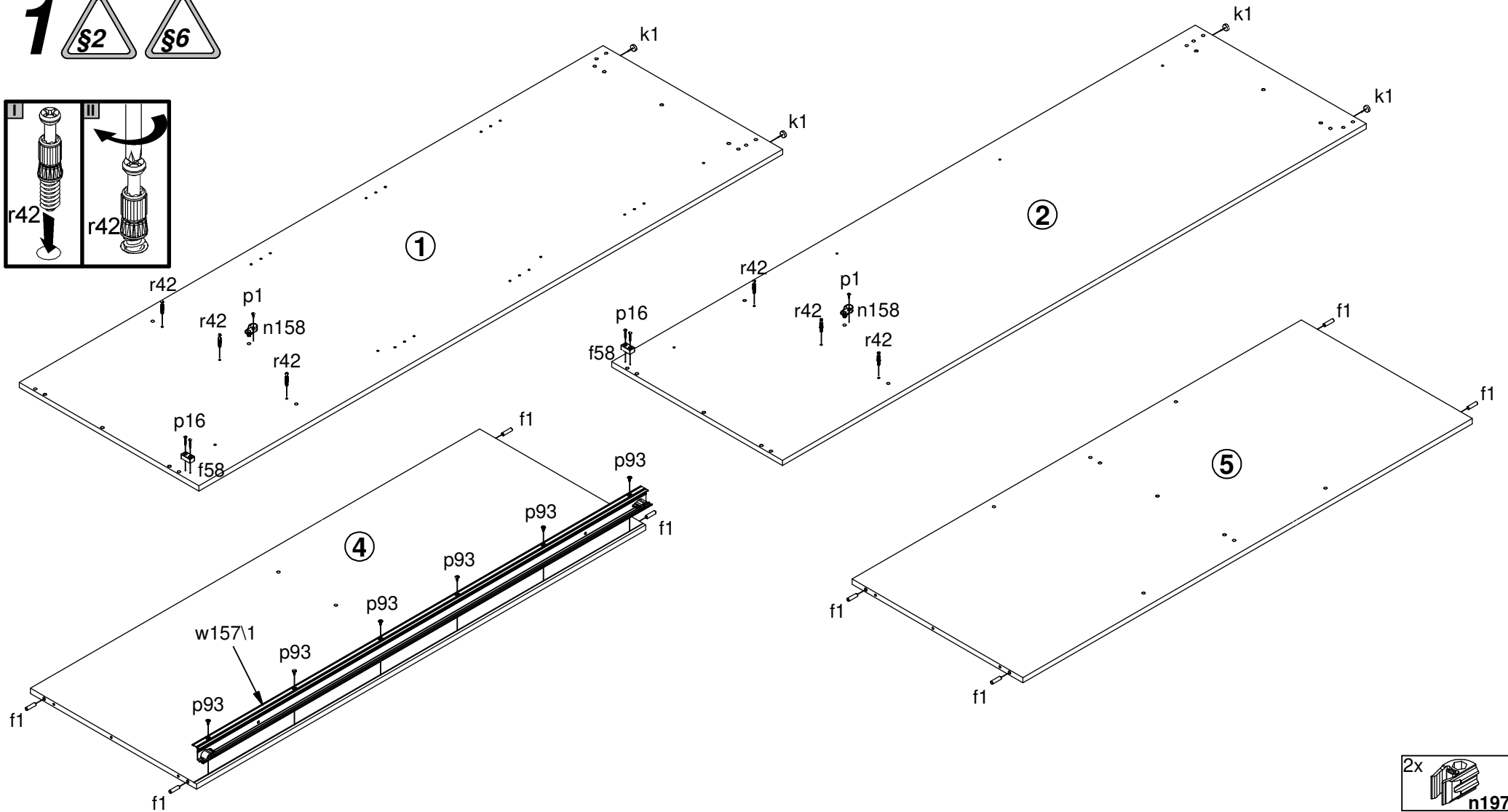
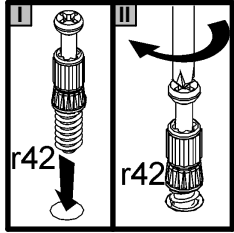


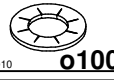

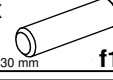
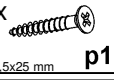

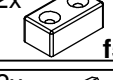
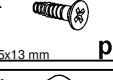


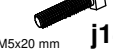


A	B	C (mm)			D
1	S442-1028	1950	600	15	1/9
2	S442-1029	1950	571	15	3/9
3	S442-1030	1854	555	15	1/9
4	S442-3011	1501	555	15	4/9
5	S442-3012	1501	571	15	4/9
6	S442-3013	743	555	15	2/9
7	S442-3014	742	555	15	2/9
8	S442-4037	1501	66	15	4/9
9	S442-4038	1501	66	15	4/9
10	S442-9309	1879	763	2,5	3/9
11	dr-738	738	30	15	2/9



12x Ø5x17 mm d1	22x Ø7x50 mm e1	24x Ø5,5x13 mm e13	24x Ø8x30 mm f1	cm 0 1 2 3 4 5 6 7 8 9 10							2x Ø10x50 mm f35	2x f58	2x Ø8x50 mm f6	D 4/9, 5/9
2x M5x20 mm j148	2x M5 j159	8x k1	4x n158	10x 22x9,5x20,7 mm n108	8x 90x50x1,5 mm n148	2x 86x21x15/1,5 n142	2x n194	2x n195	1x n196	2x n197	2x n198	2x n199		
2x Ø5x20 o100	12x Ø3,5x13 mm p1	4x Ø3,5x25 mm p16	2x Ø5x60 mm p17	54x Ø2,9x16 mm p55	94x Ø4x13 mm p93	12x Ø15x12 mm #16 r1	3x r10	6x 20/11 r42	16x Ø14x0,5 mm s59	12x Ø20mm s68	3x L-1900 mm w136/4	1x L-1498mm w157/1		
1x L-1498mm w158/1	3x w180/1	1x 4 mm z1												

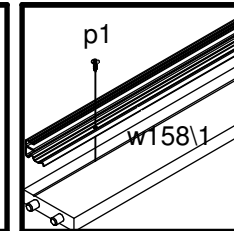
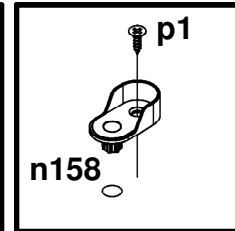
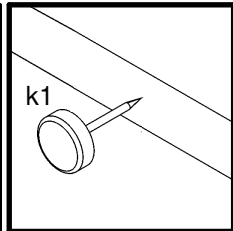
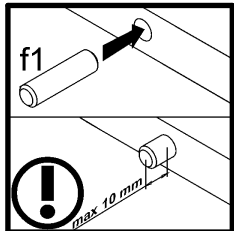
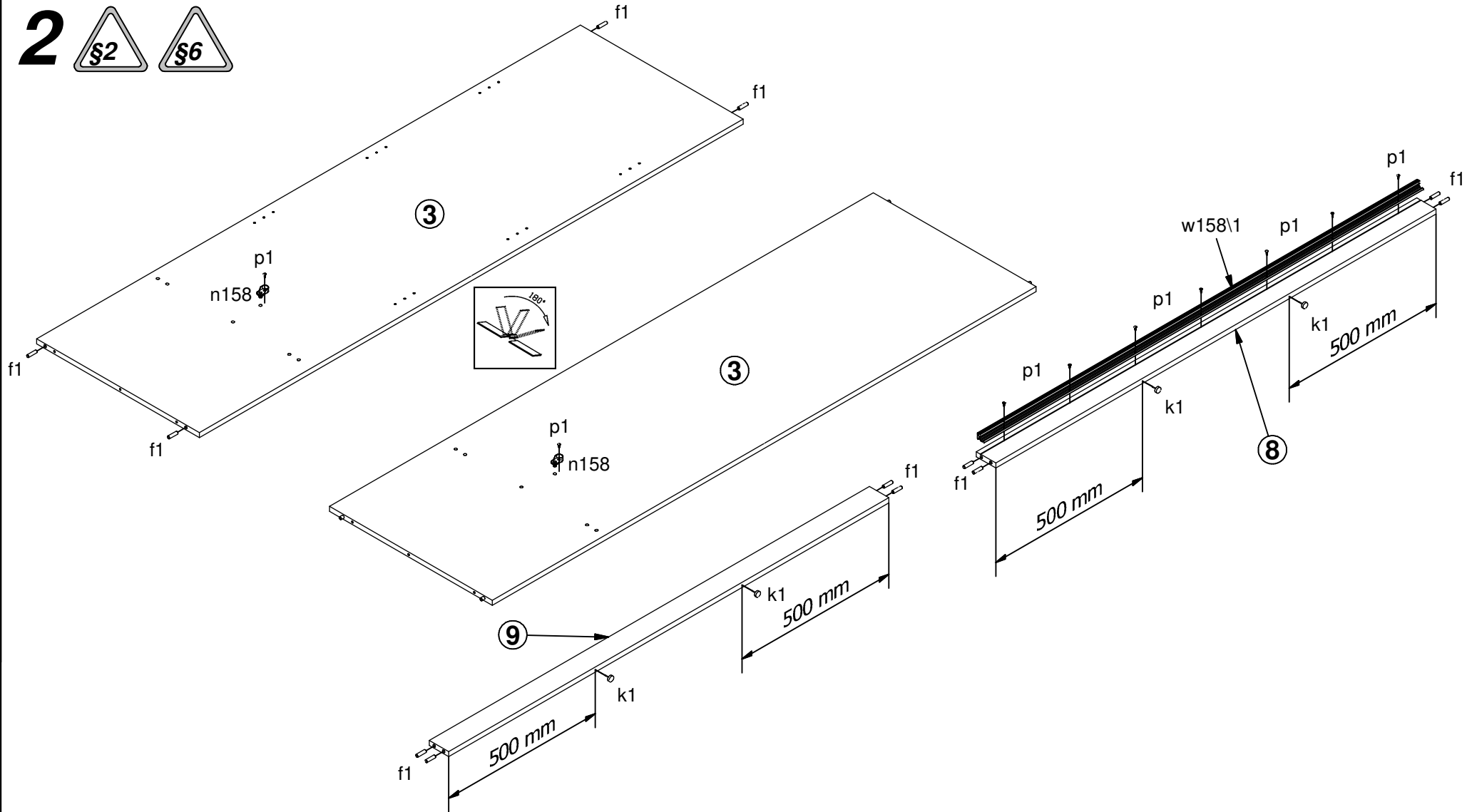
1  



2x  o100 Ø5xØ10	6x  p93 Ø4x13 mm	8x  f1 Ø8x30 mm	4x  p16 Ø3,5x25 mm
2x  j159 M5	2x  f58	2x  p1 Ø3,5x13 mm	2x  n158
1x  w157\1 L-1498mm	2x  j148 M5x20 mm	4x  k1	6x  r42 20/11

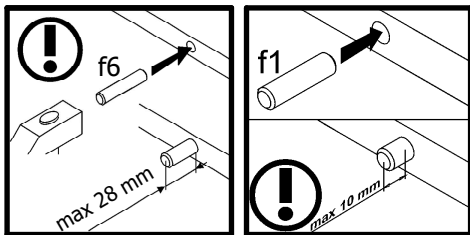
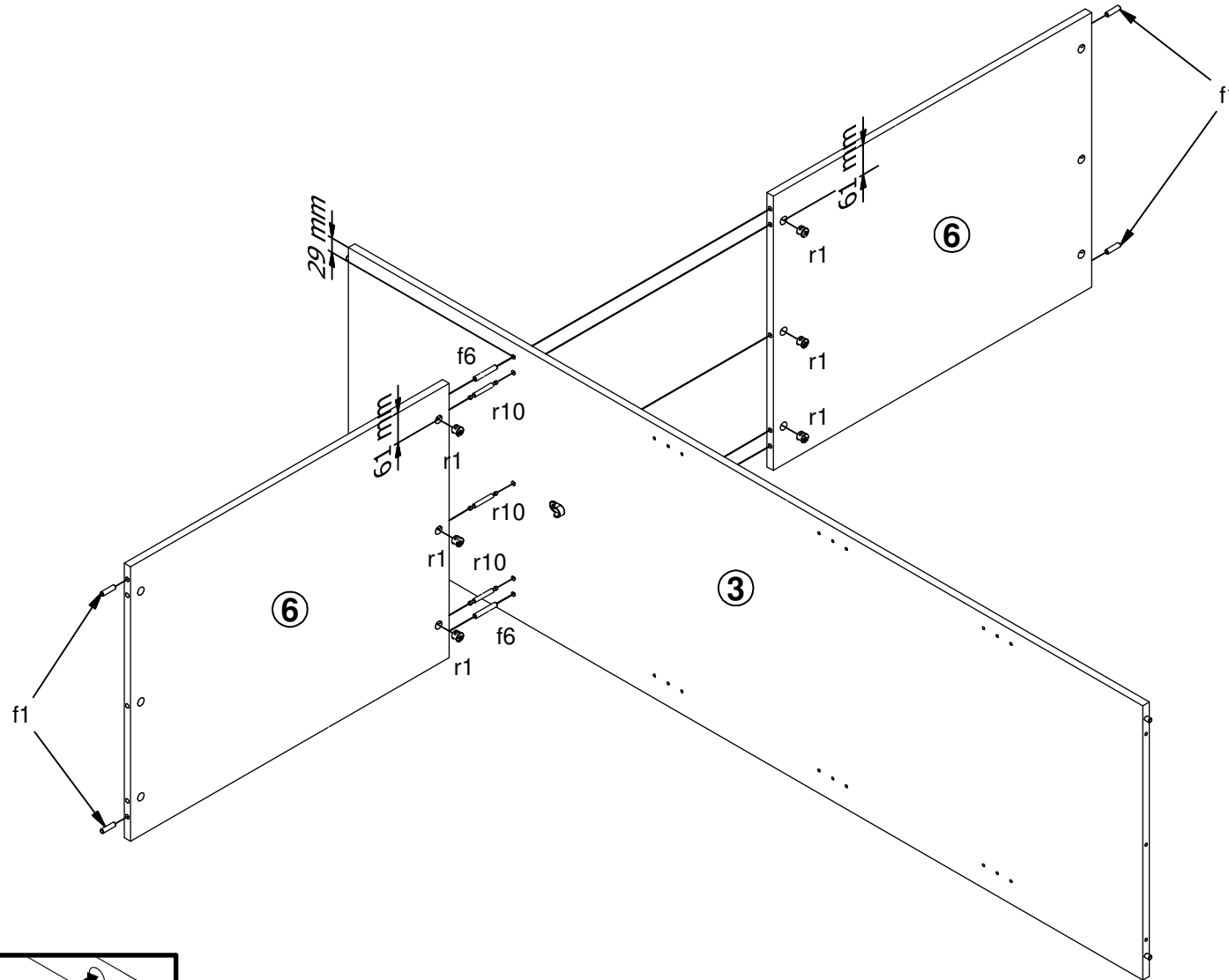
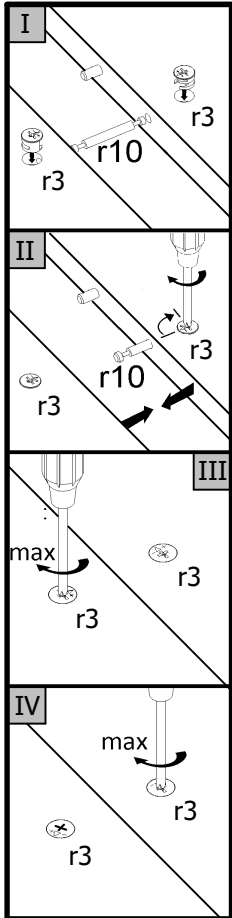


2



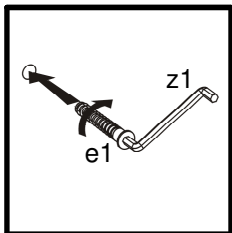
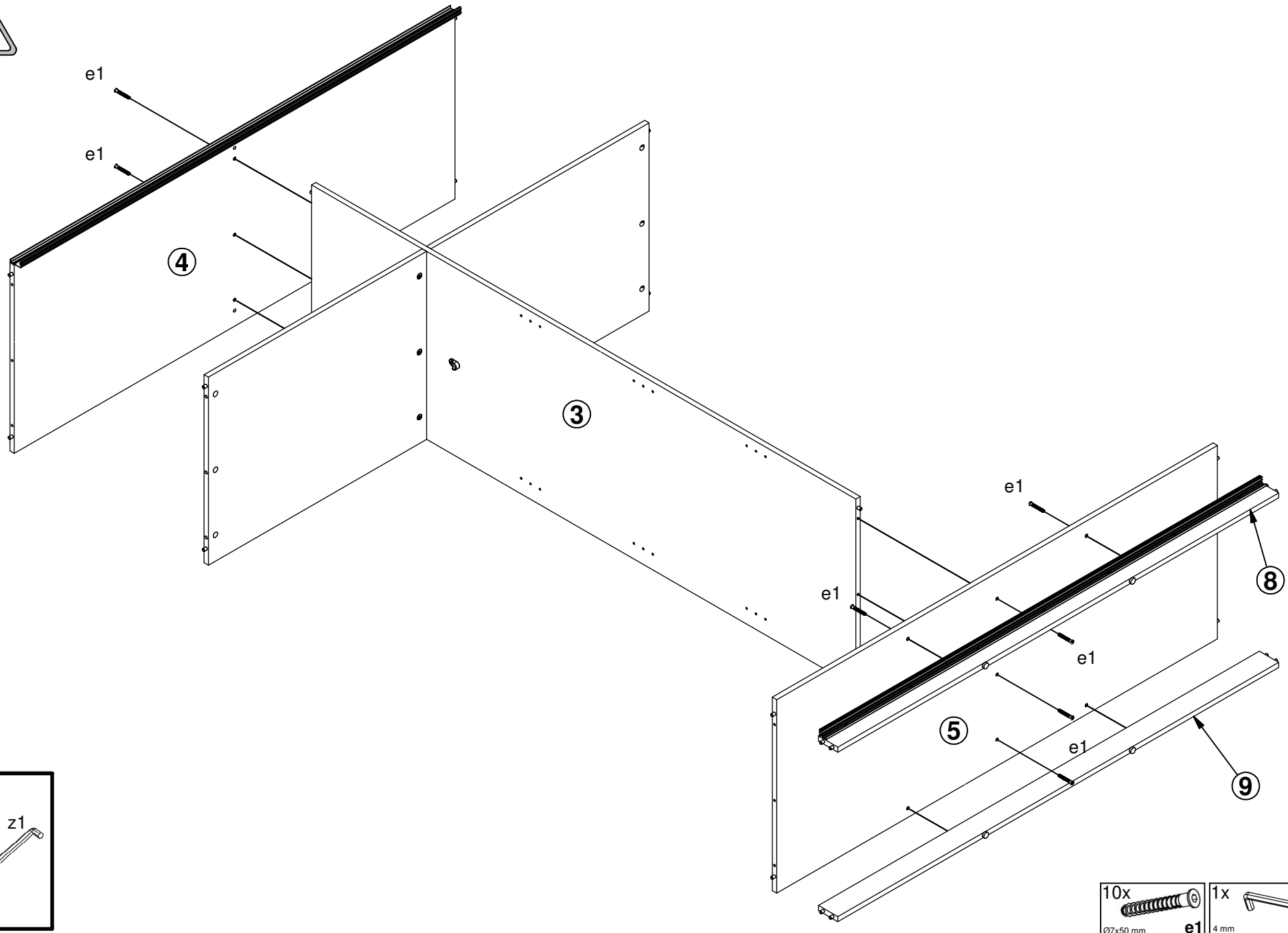
1x L-1498mm w158\1	4x k1	2x n158
9x Ø3.5x13 mm p1	6x Ø5x17 mm d1	12x Ø8x30 mm f1



3



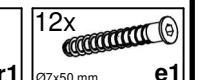
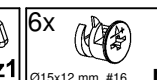
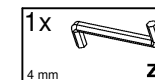
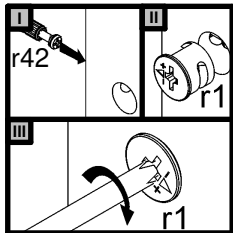
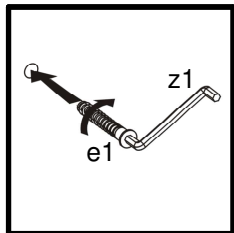
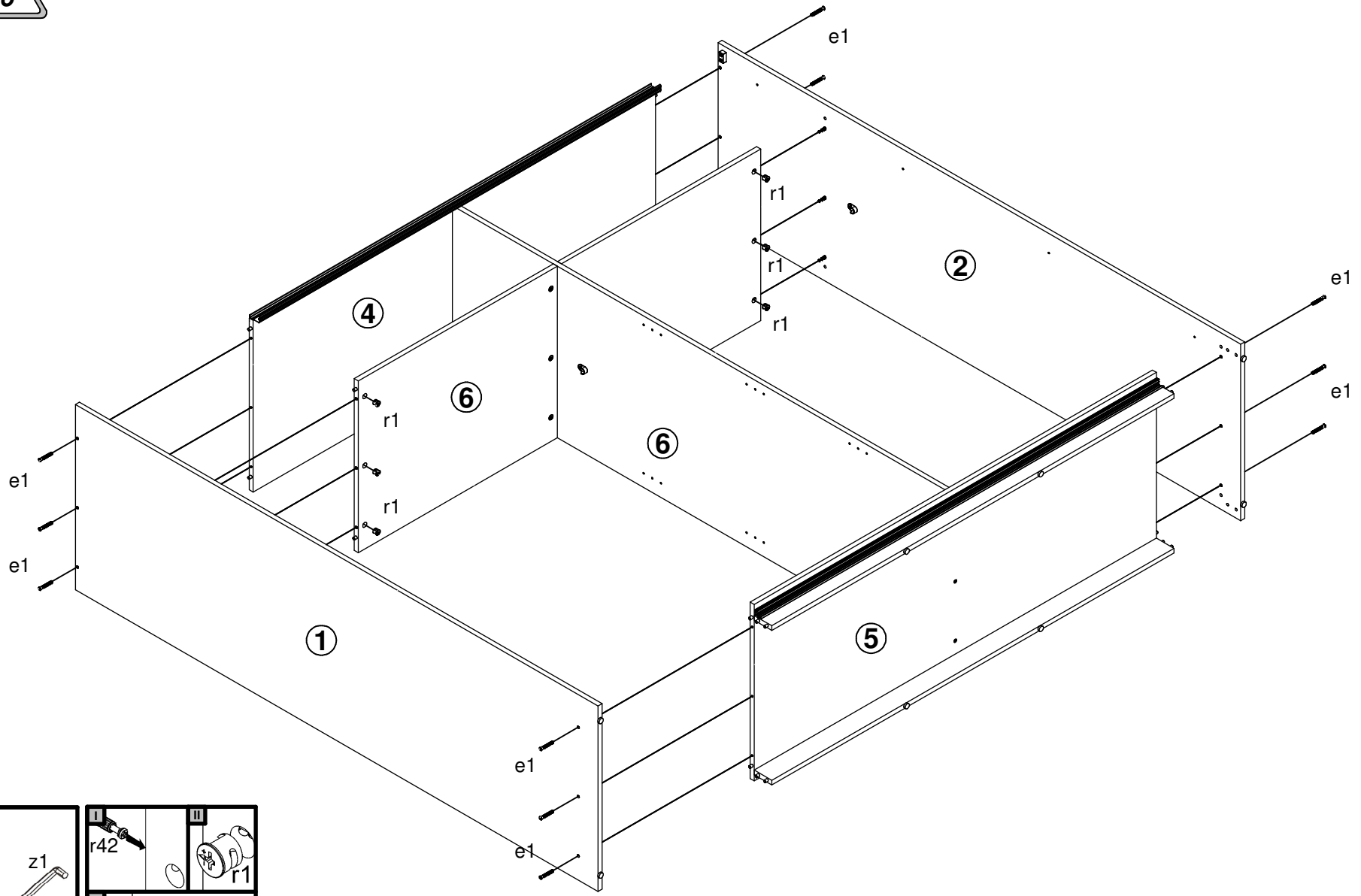
- | | | | |
|----------------------|----------------------|-----------|---------------------------|
| 4x
Ø8x30 mm
f1 | 2x
Ø8x50 mm
f6 | 3x
r10 | 6x
Ø15x12 mm #16
r1 |
|----------------------|----------------------|-----------|---------------------------|

4 

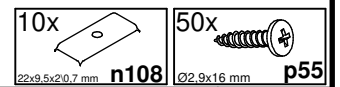
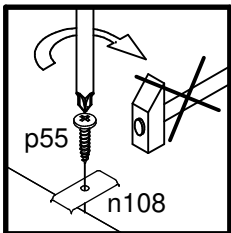
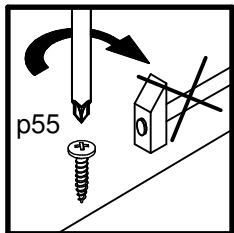
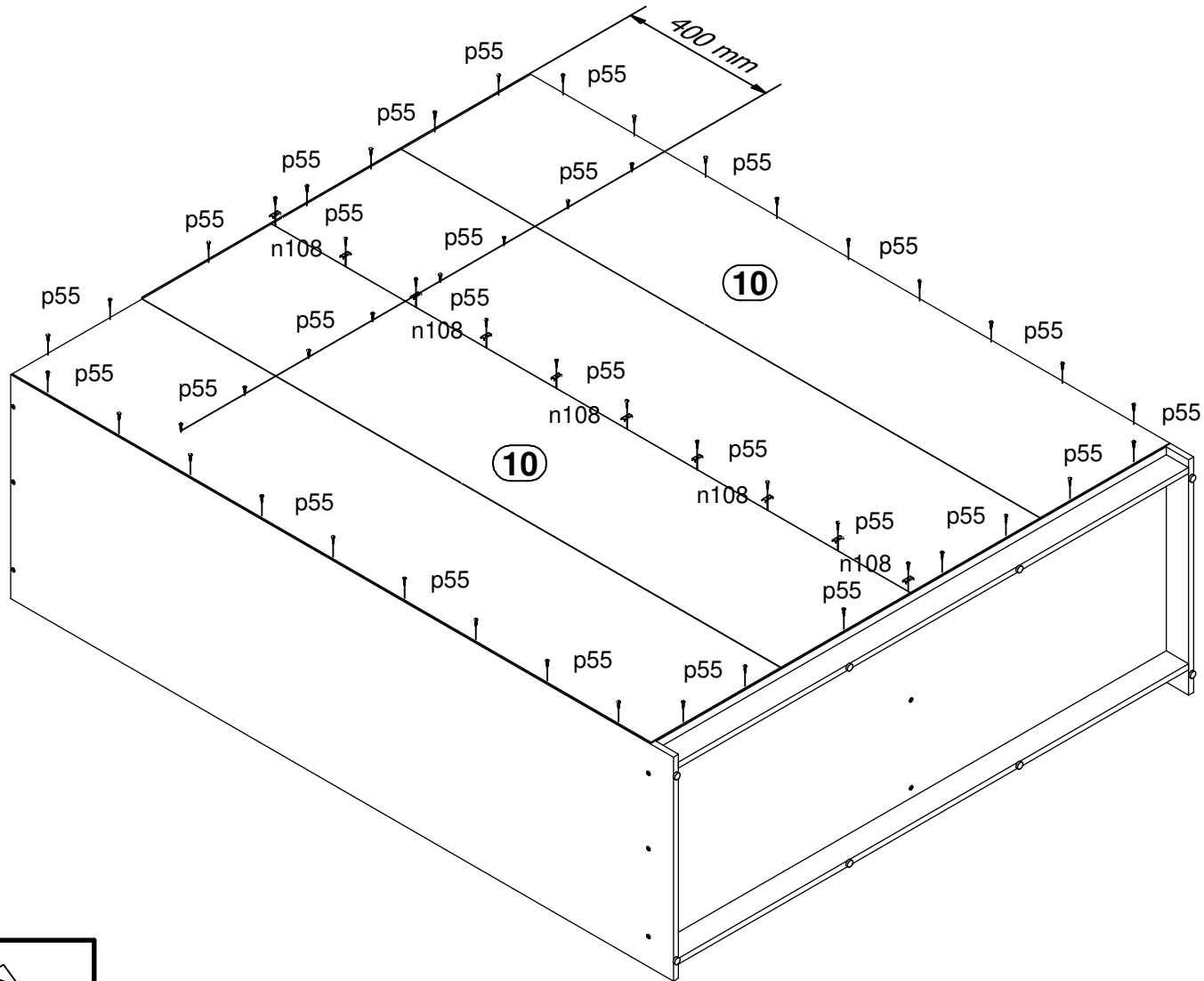
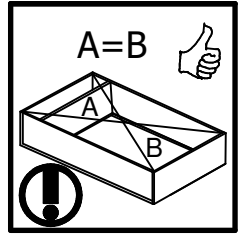


- | | |
|--|---|
| 10x

Ø7x50 mm | 1x

4 mm |
| e1 | z1 |

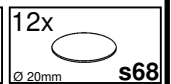
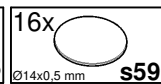
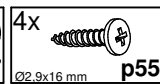
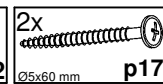
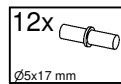
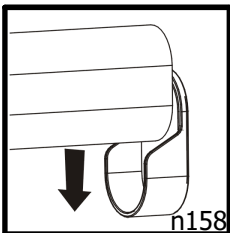
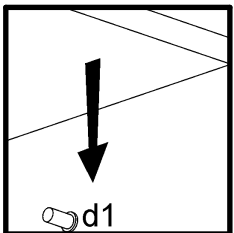
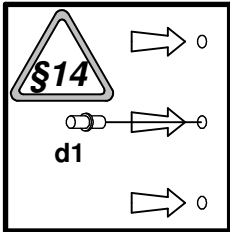
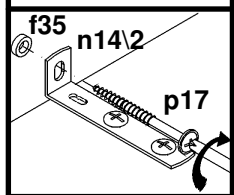
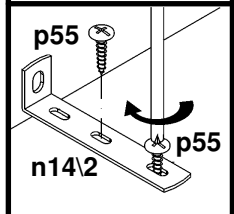
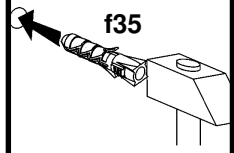
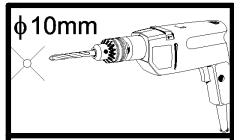
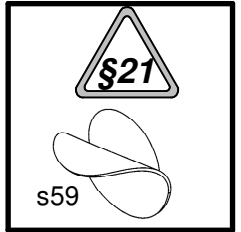
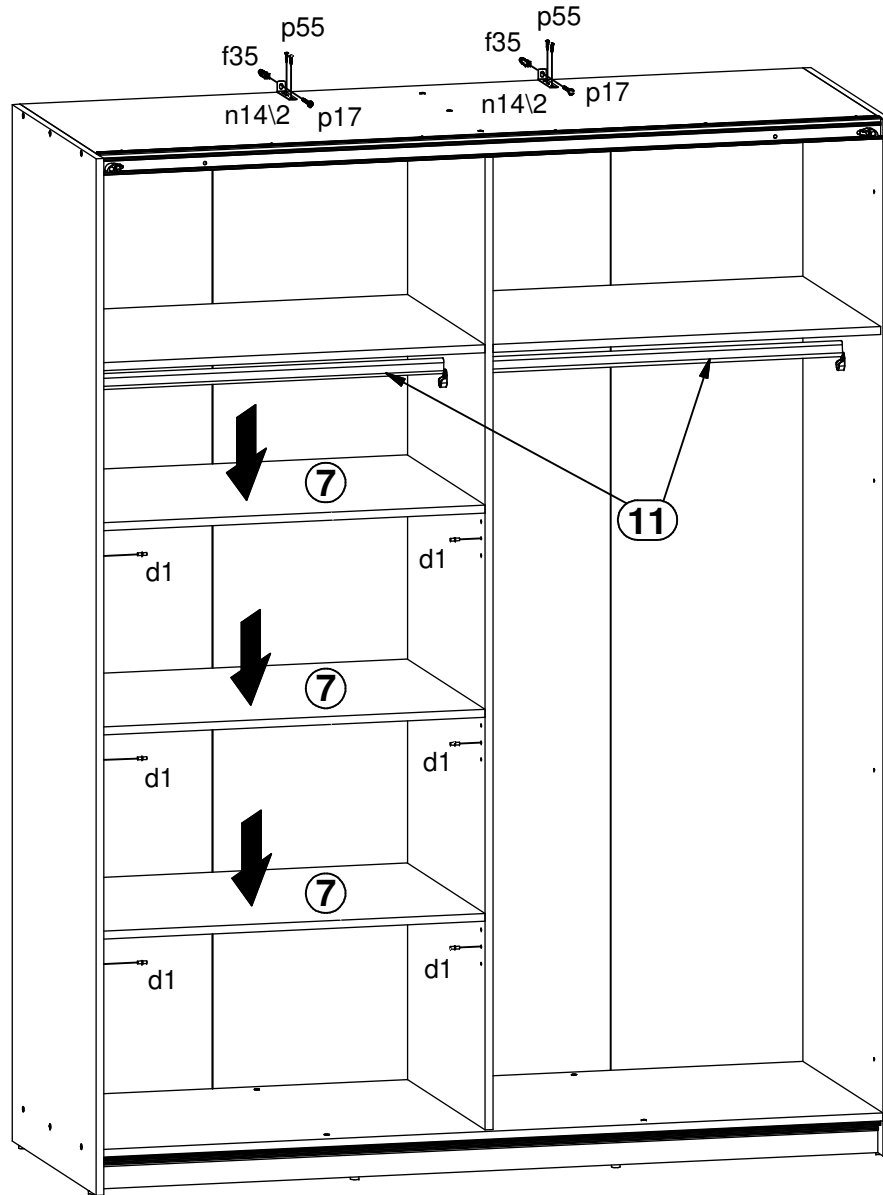
5 



6 



7



8

