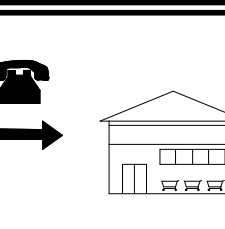
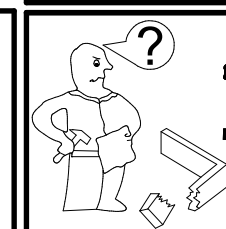
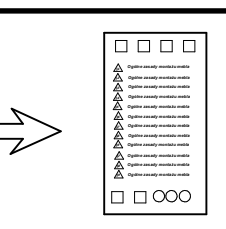
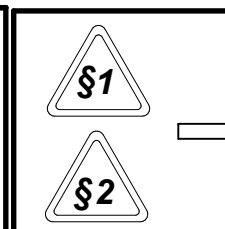
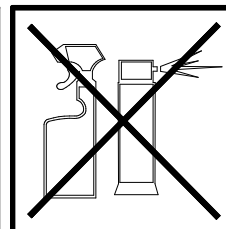
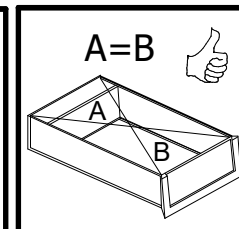
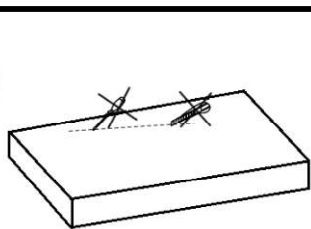
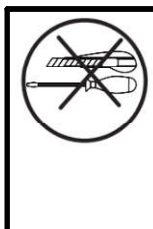
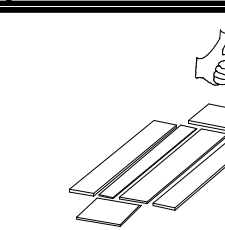
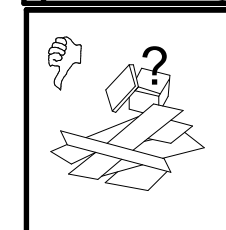
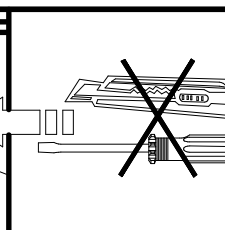
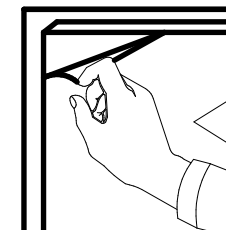
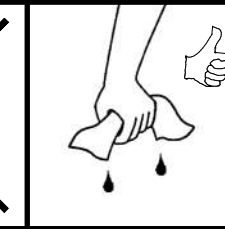
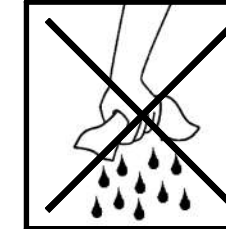
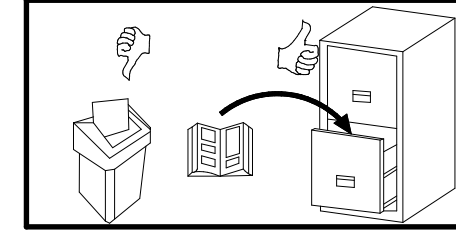
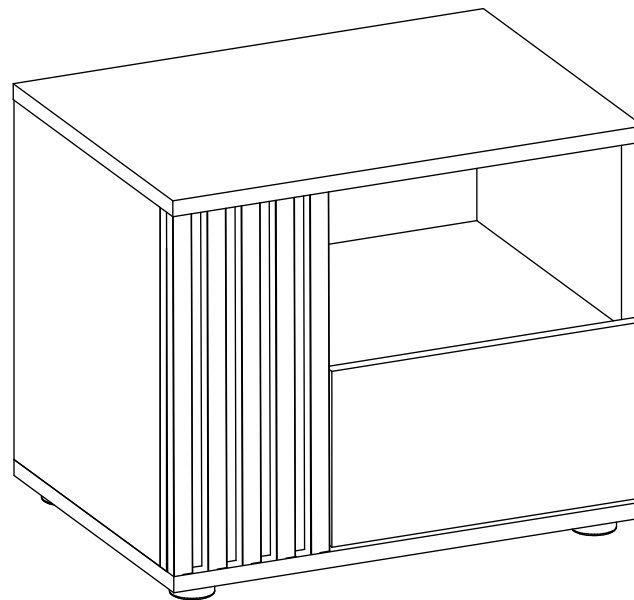
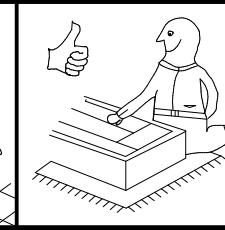
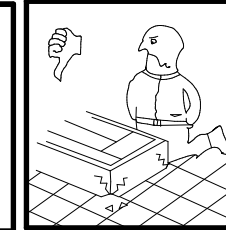
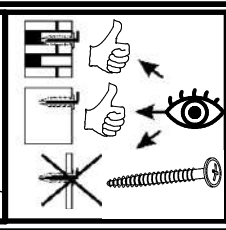
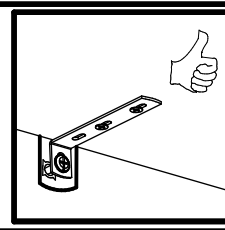
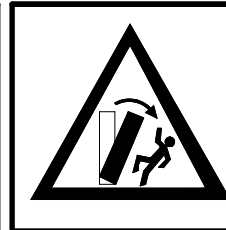
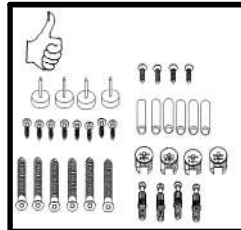
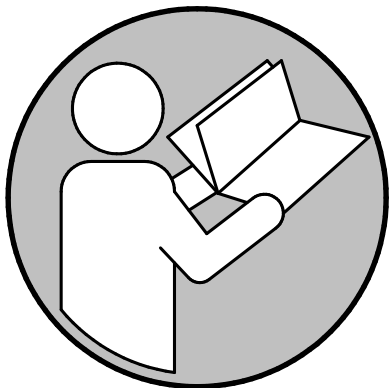
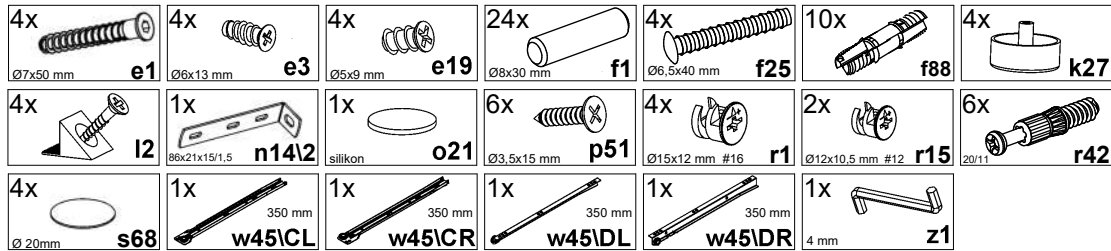
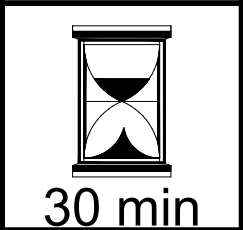
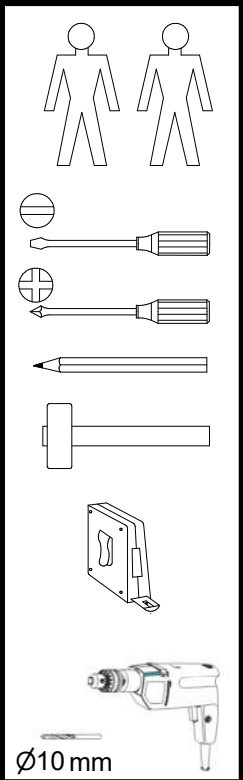
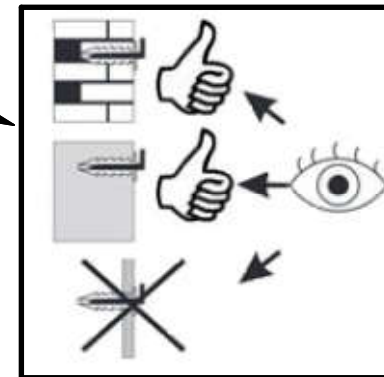
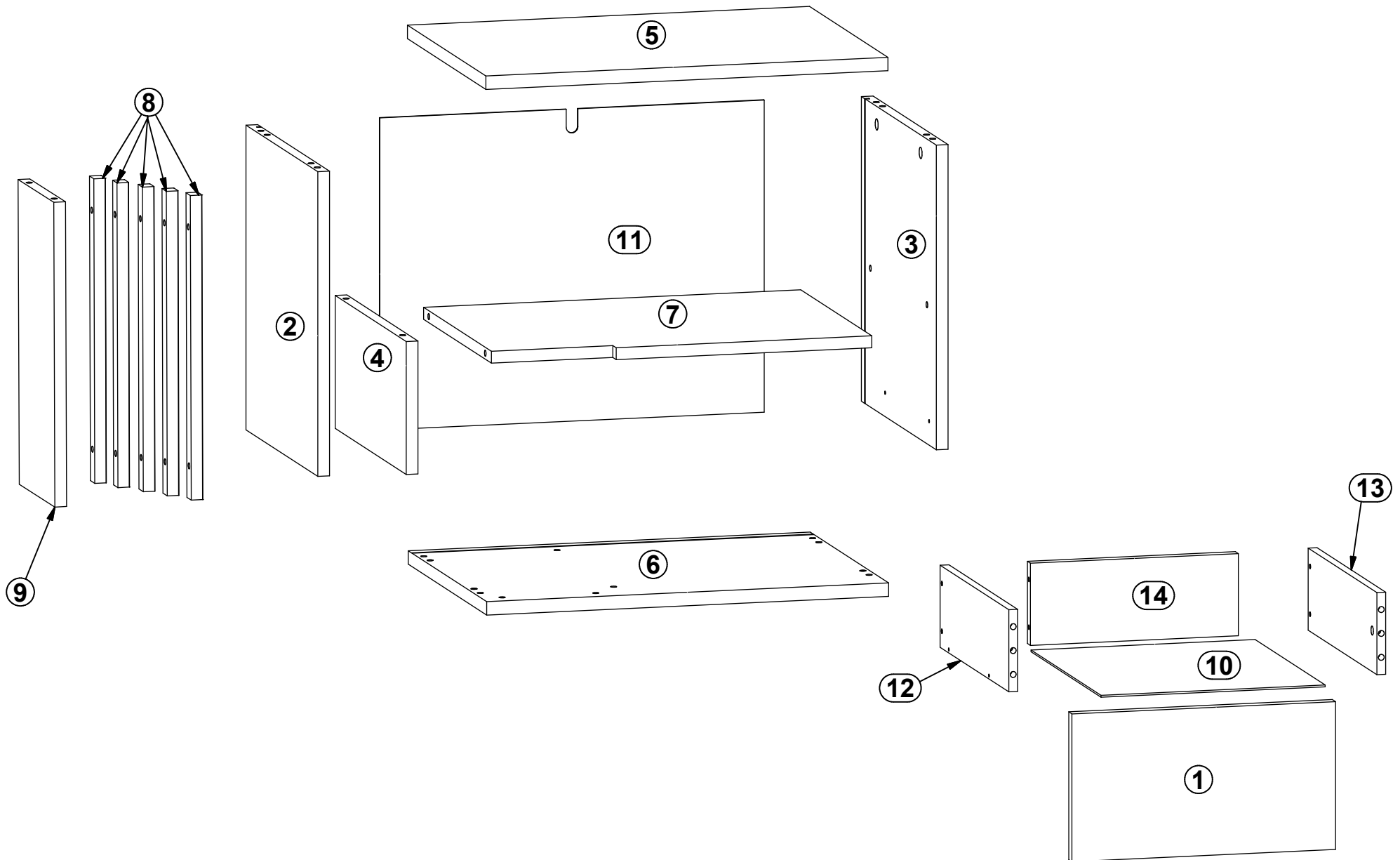


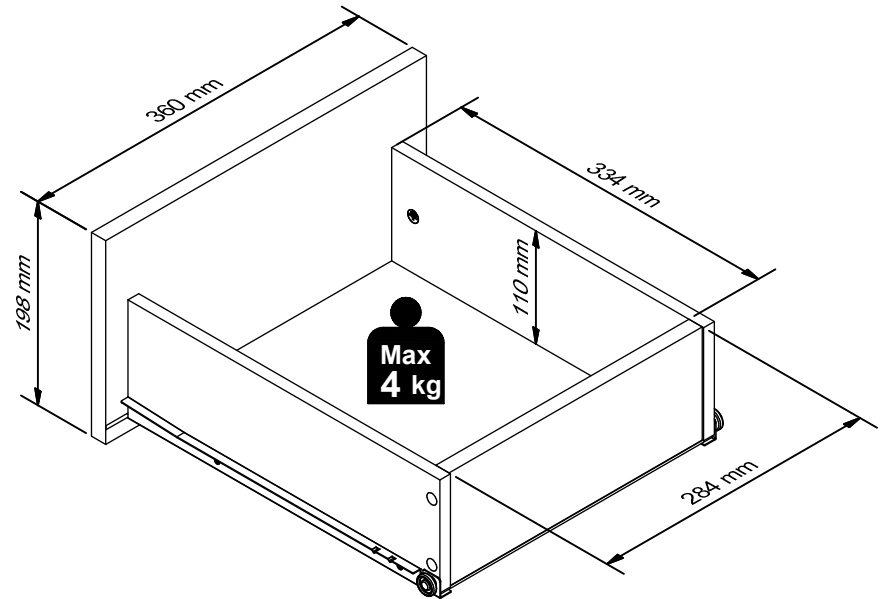
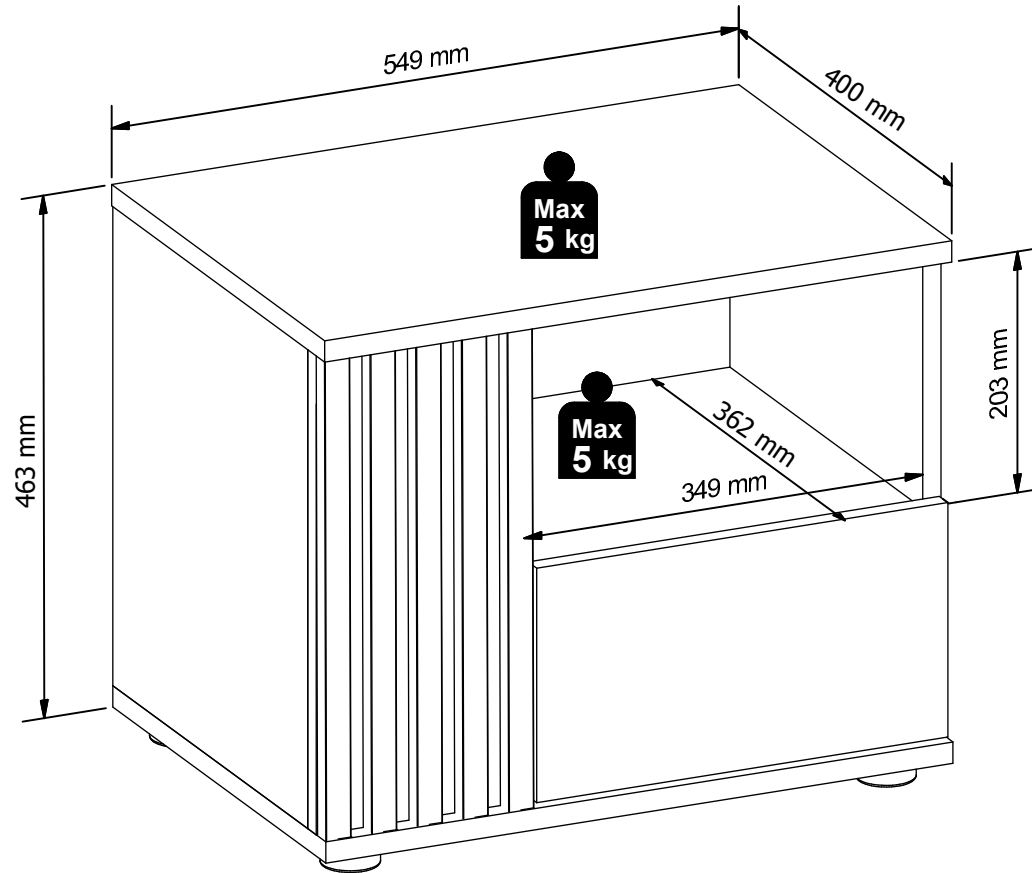
A**S620-KOM1S/L****VABRES**







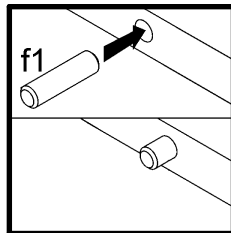
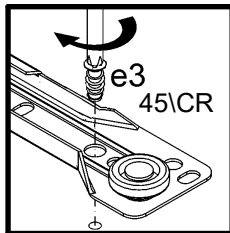
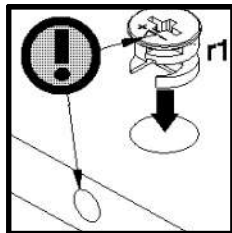
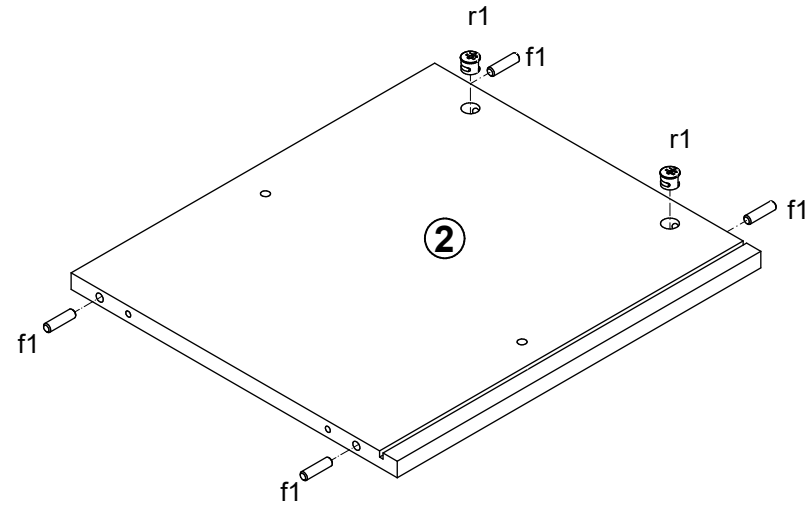
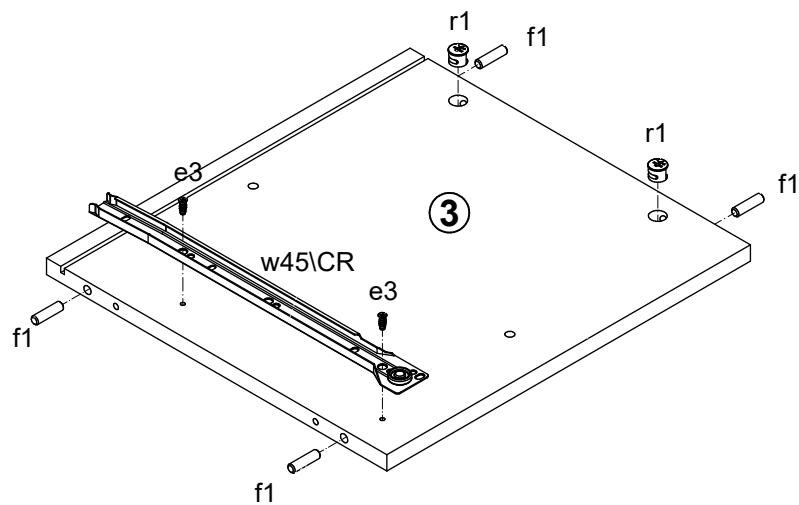
| A | B1 | B2 | C1 | C2 | C3 | D |
|----|-----------|----|-----|-----|-----|-----|
| 1 | S620-0029 | -4 | 360 | 198 | 16 | 1/1 |
| 2 | S620-1029 | -3 | 408 | 366 | 16 | 1/1 |
| 3 | S620-1030 | -4 | 408 | 382 | 16 | 1/1 |
| 4 | S620-1031 | -3 | 178 | 362 | 16 | 1/1 |
| 5 | S620-2017 | -3 | 549 | 400 | 18 | 1/1 |
| 6 | S620-2018 | -3 | 549 | 400 | 18 | 1/1 |
| 7 | S620-3022 | -4 | 515 | 362 | 16 | 1/1 |
| 8 | S620-5063 | -7 | 408 | 22 | 16 | 1/1 |
| 9 | S620-7003 | -5 | 408 | 182 | 16 | 1/1 |
| 10 | S620-9004 | -7 | 306 | 357 | 2,5 | 1/1 |
| 11 | S620-9005 | -7 | 418 | 525 | 2,5 | 1/1 |
| 12 | WSR2-5005 | -9 | 350 | 110 | 12 | 1/1 |
| 13 | WSR2-5006 | -9 | 350 | 110 | 12 | 1/1 |
| 14 | ZS7-5072 | -3 | 284 | 110 | 15 | 1/1 |



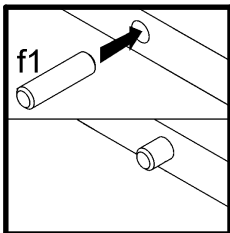
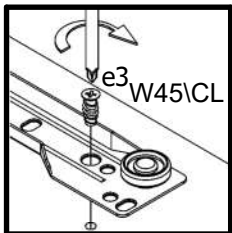
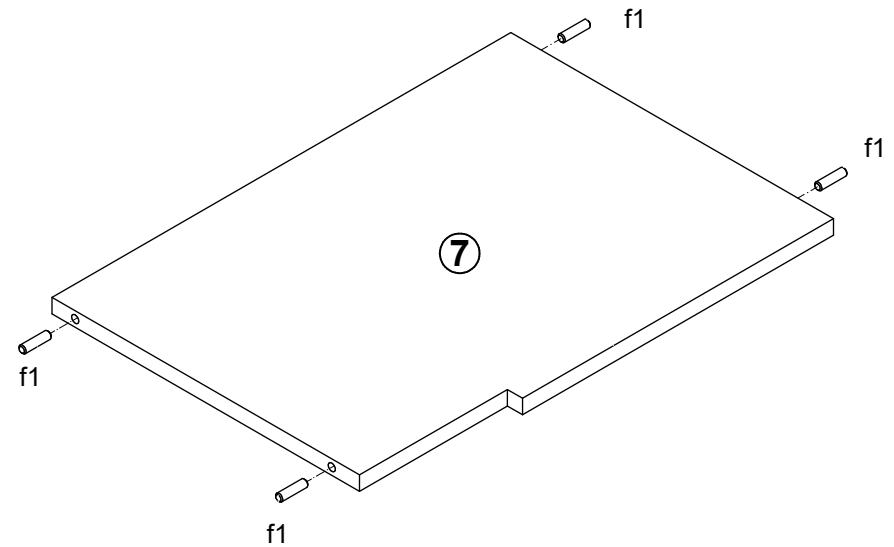
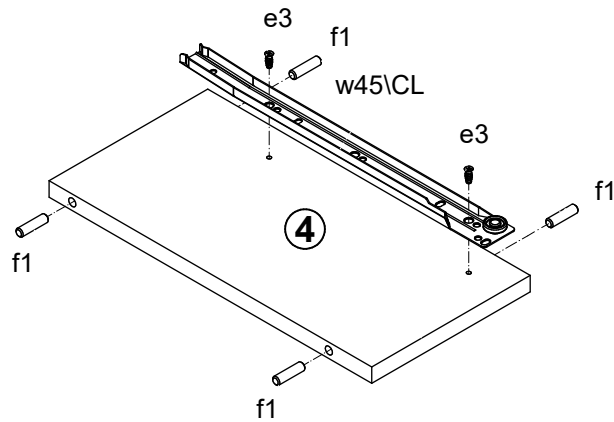
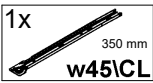
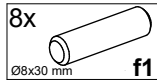
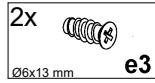


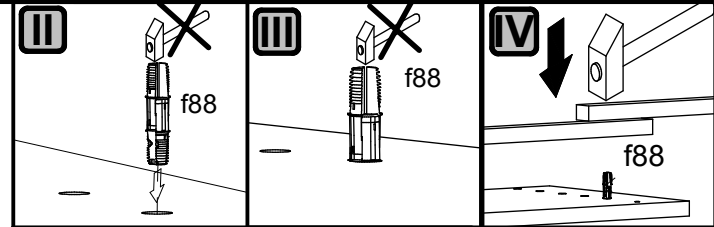
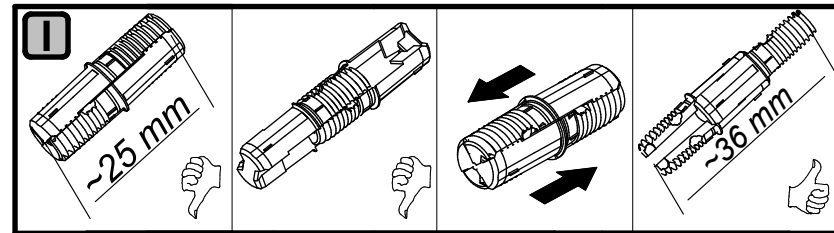
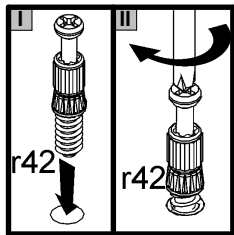
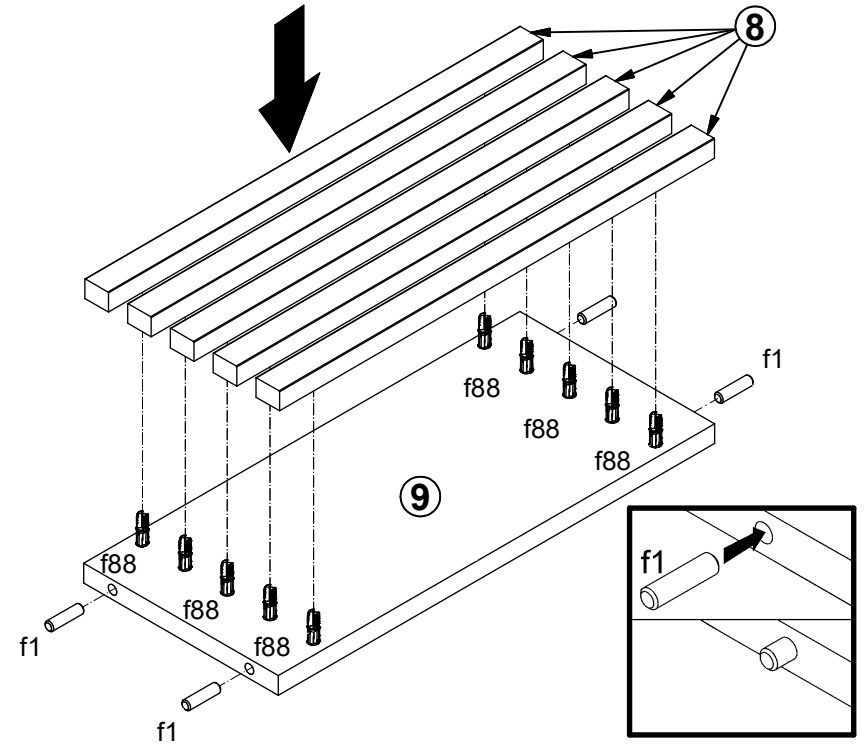
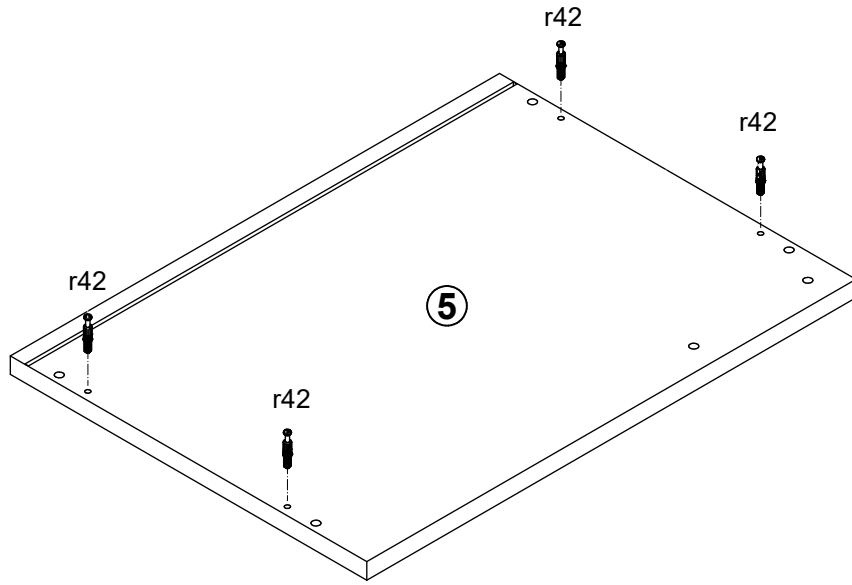
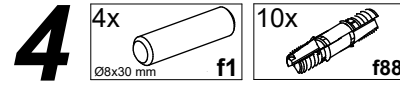
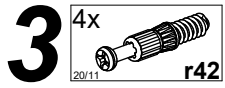


- 1** 2x  **e3** $\varnothing 6 \times 13 \text{ mm}$
- 8x  **f1** $\varnothing 8 \times 30 \text{ mm}$
- 4x  **r1** $\varnothing 15 \times 12 \text{ mm} \# 16$
- 1x  **w45\CR** 350 mm

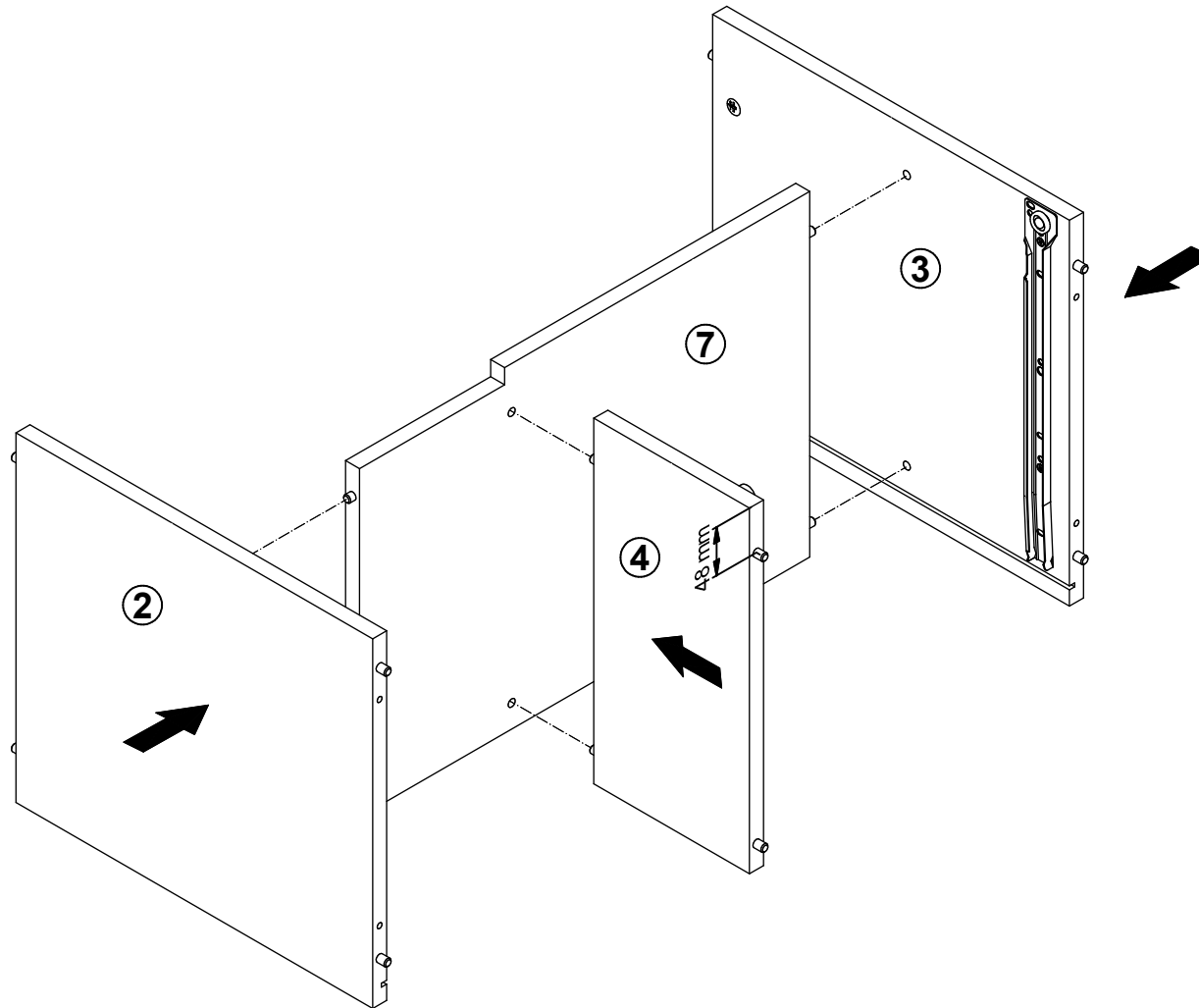


2

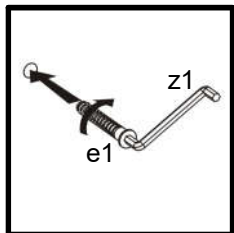
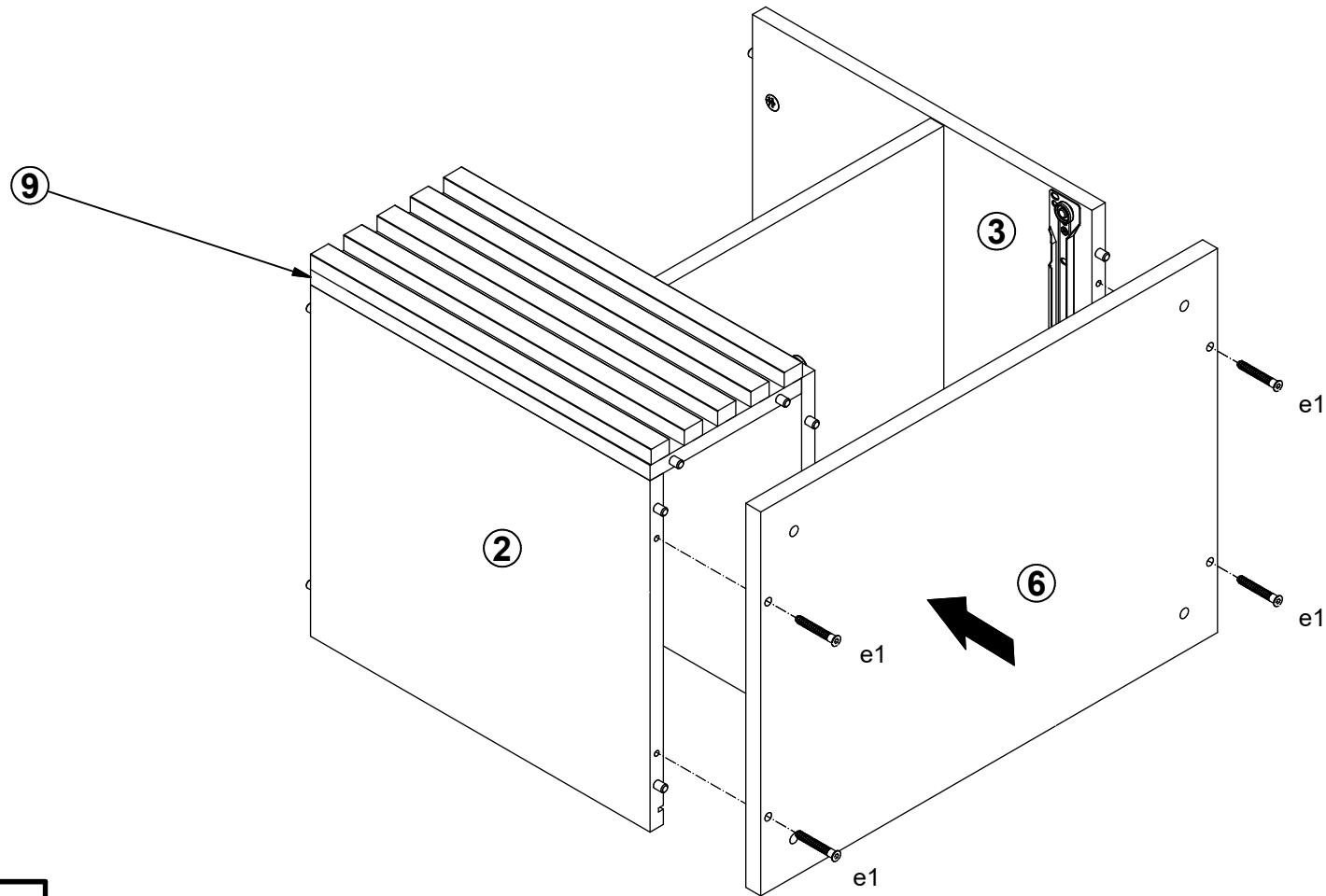
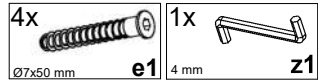




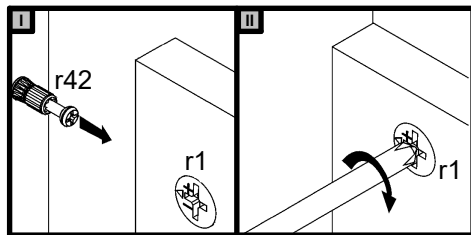
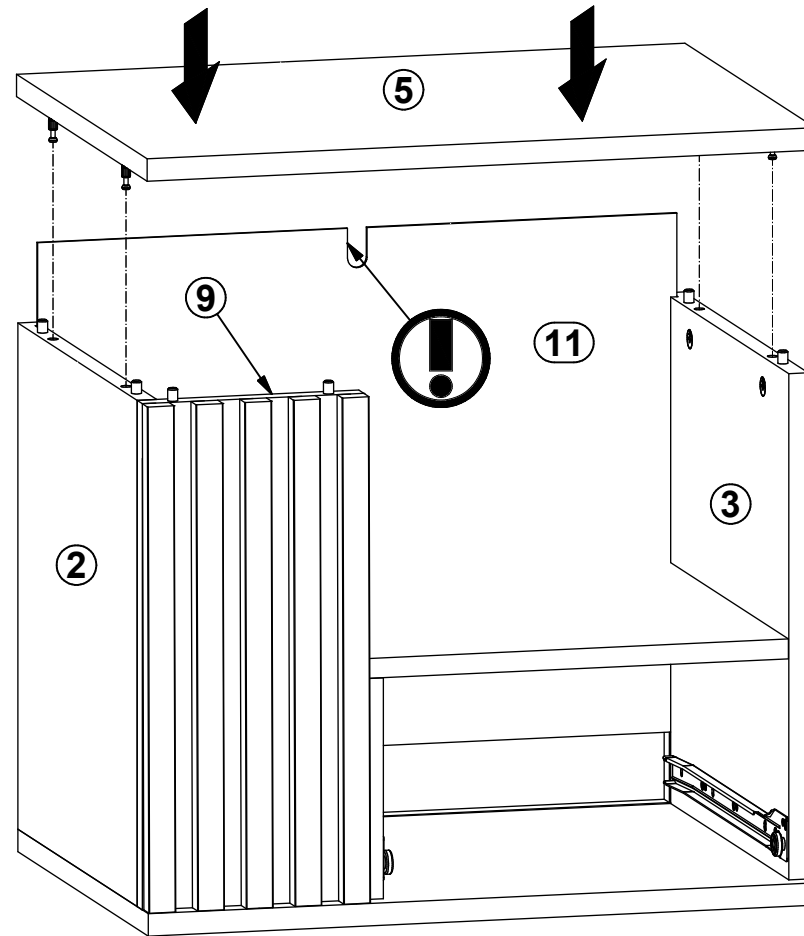
5



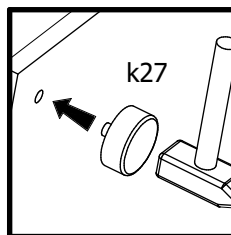
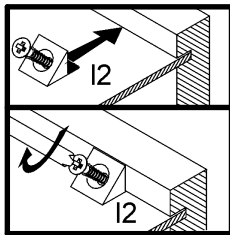
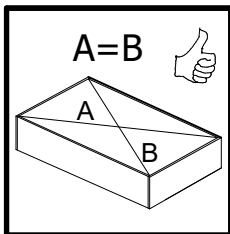
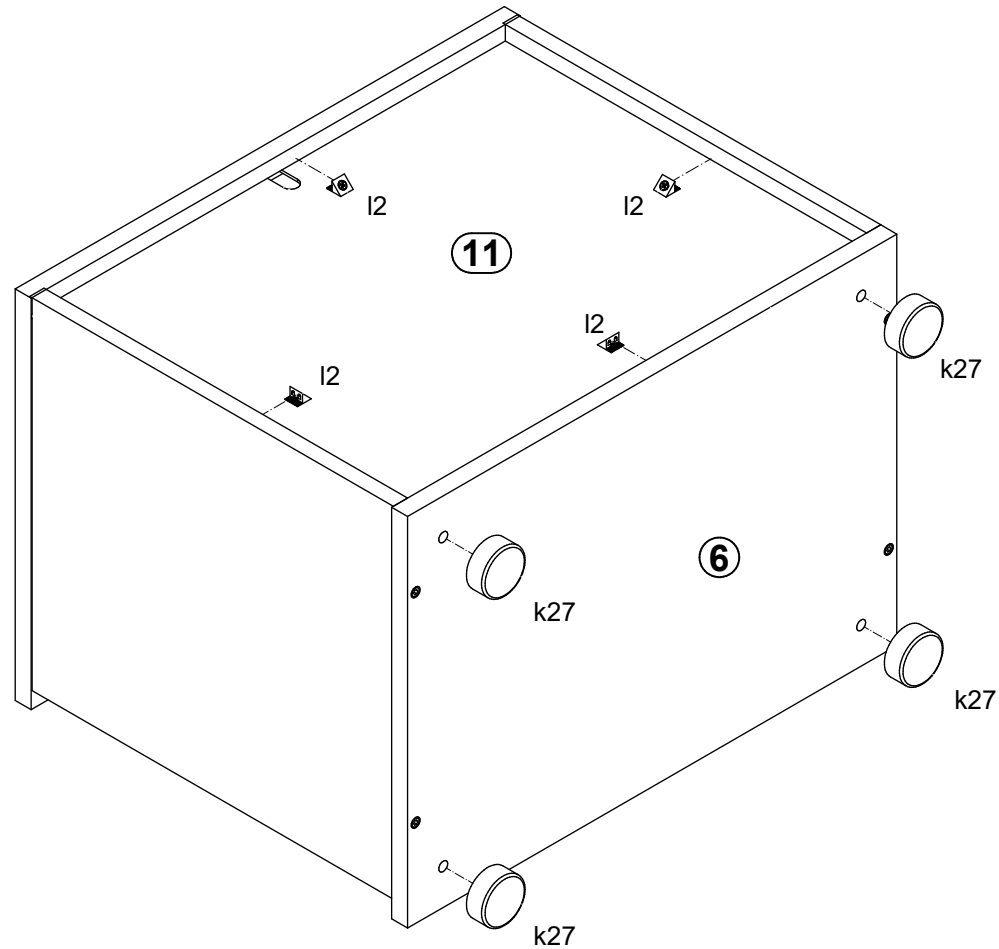
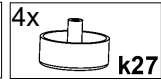
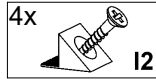
6











7



8

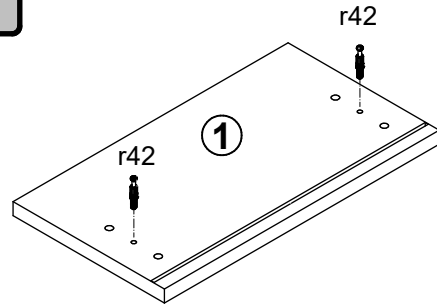


9

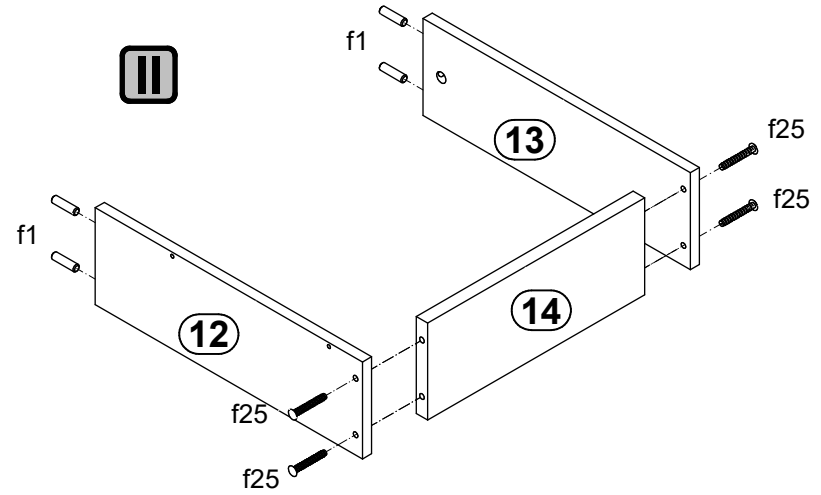
- 4x  e19
Ø5x9 mm
- 4x  f1
Ø8x30 mm
- 4x  f25
Ø6.5x40 mm
- 2x  r15
Ø12x10.5 mm #12
- 2x  r42
20/11
- 4x  p51
Ø3.5x15 mm
- 1x  w45\DL
350 mm
- 1x  w45\DR
350 mm



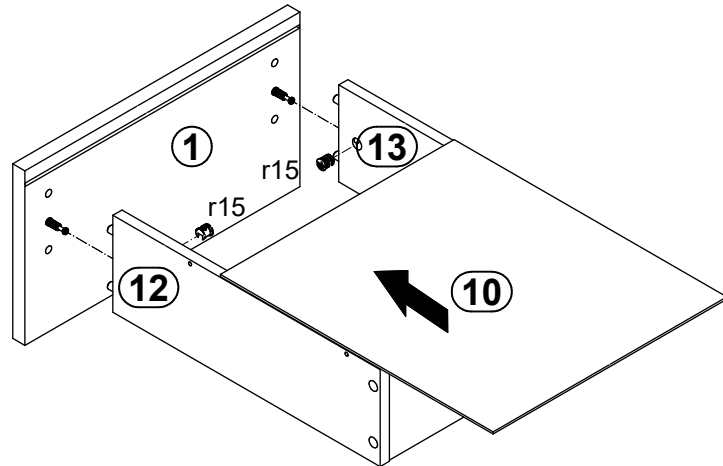
I



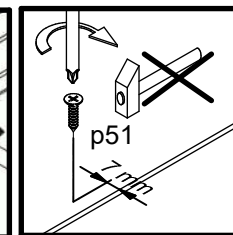
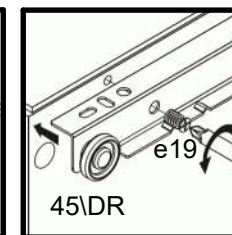
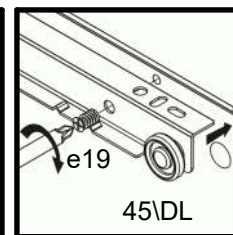
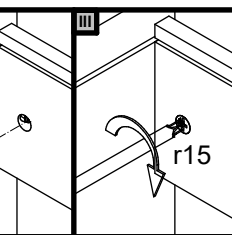
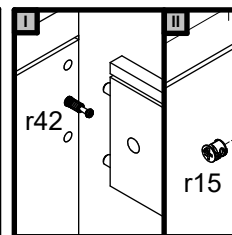
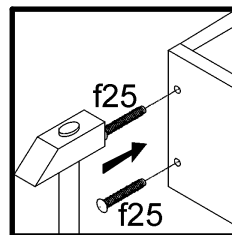
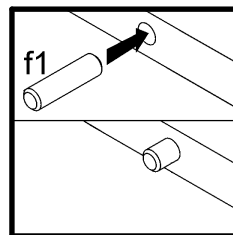
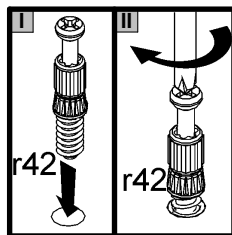
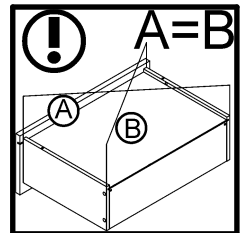
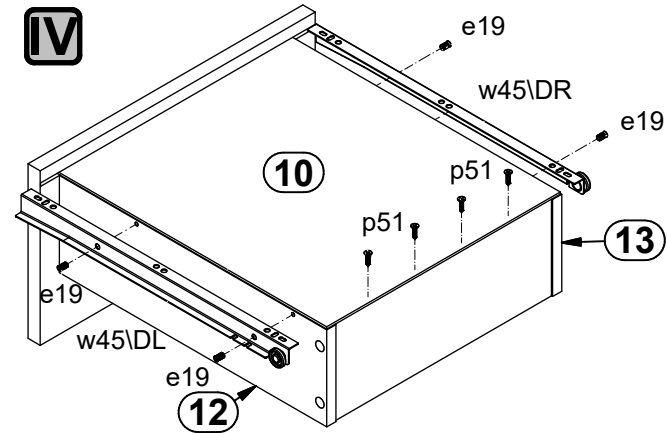
II



III



IV



10

