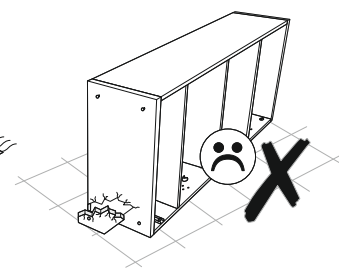
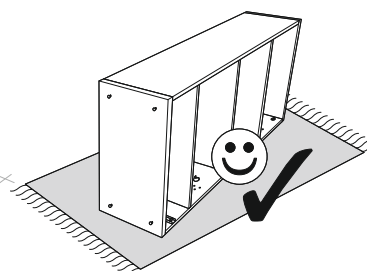
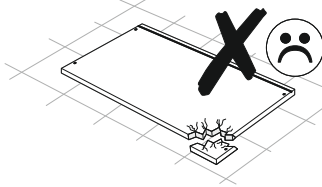
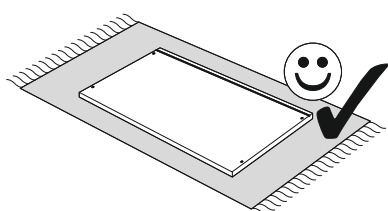
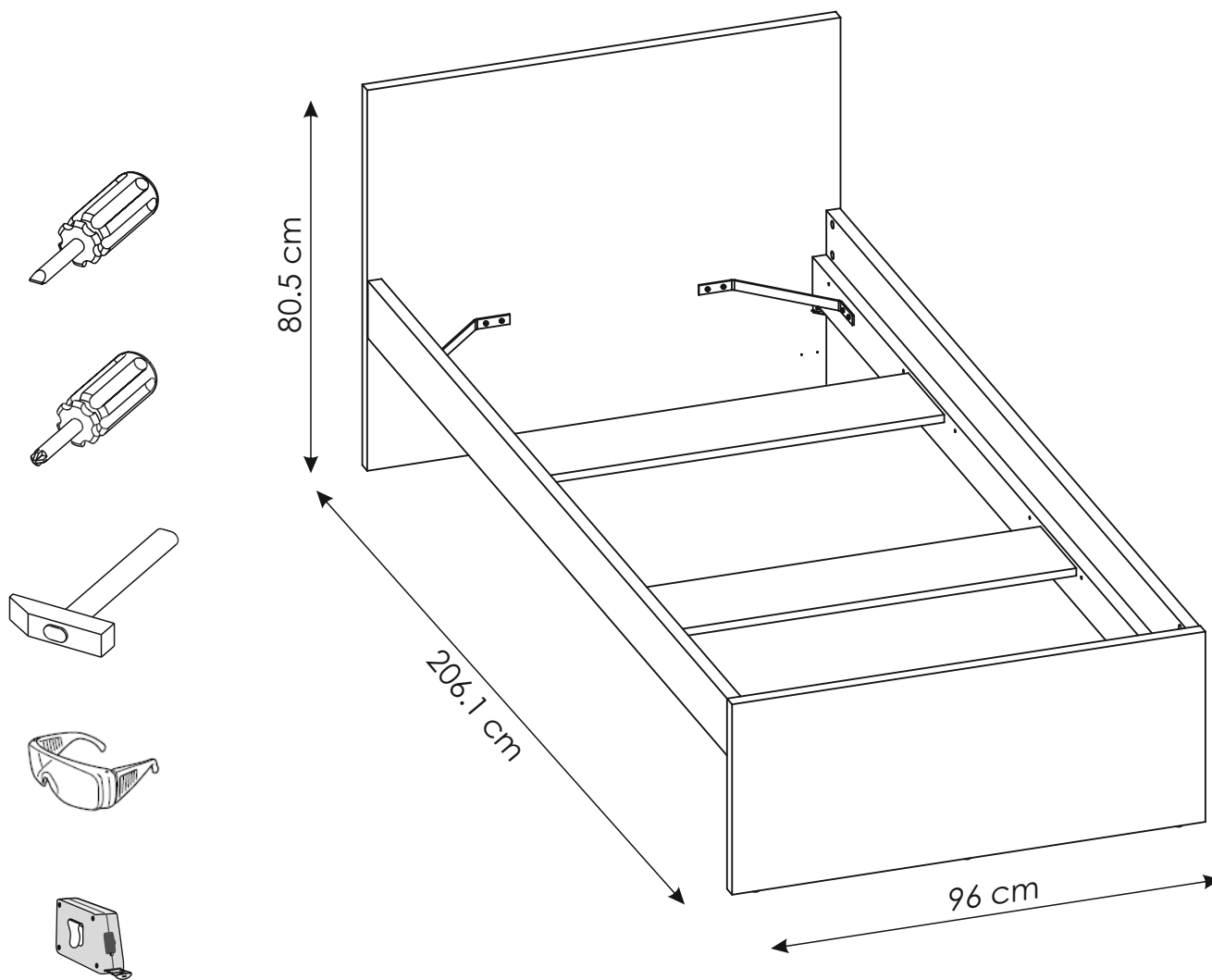
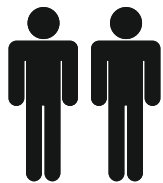
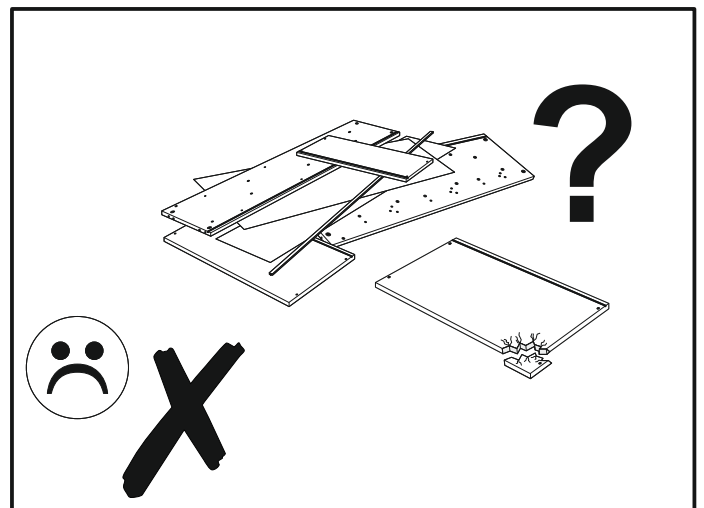
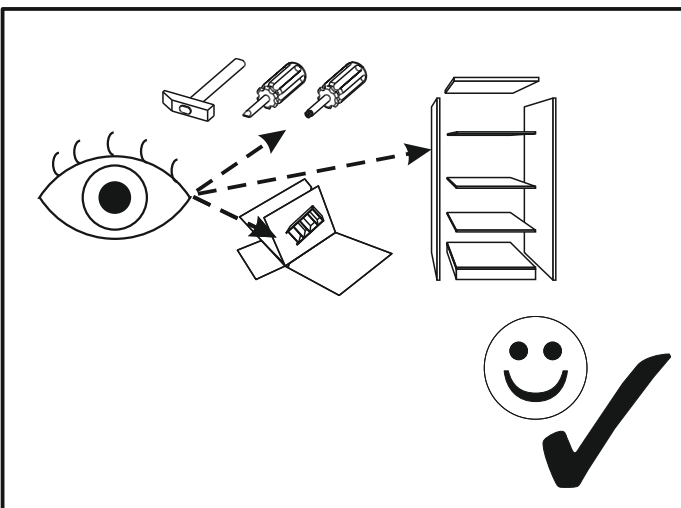
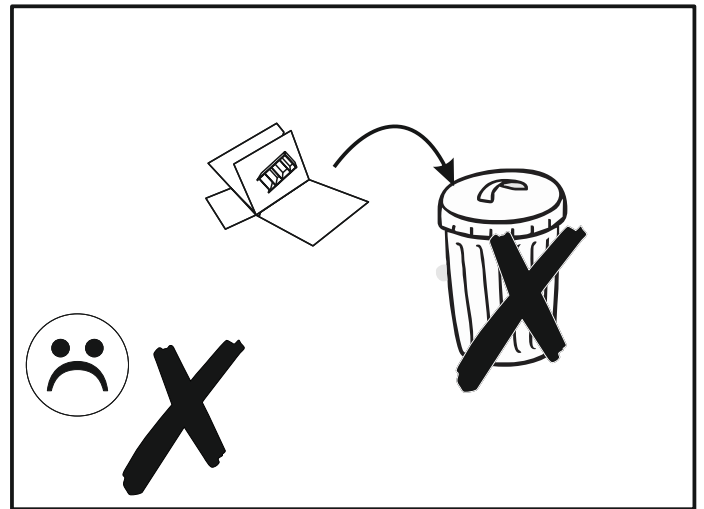
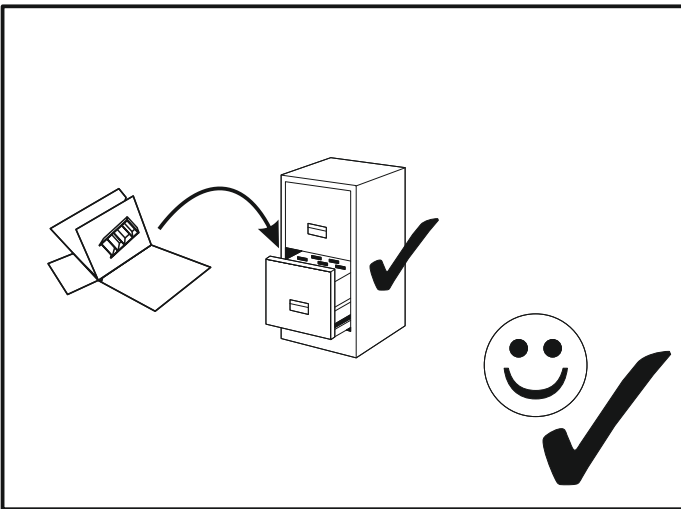
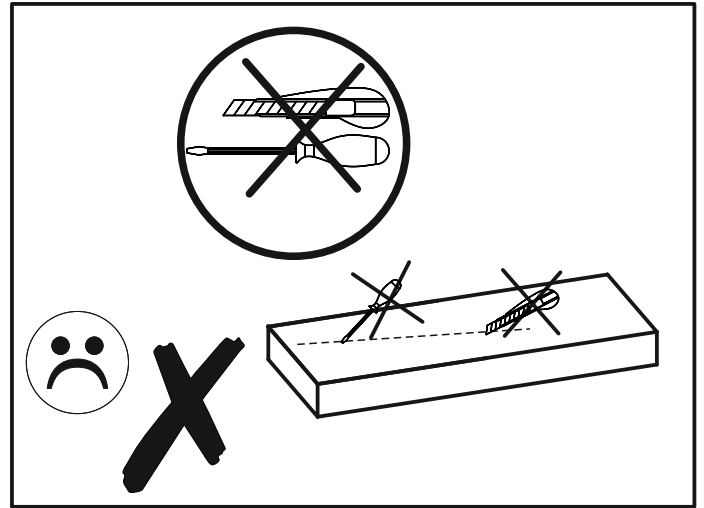
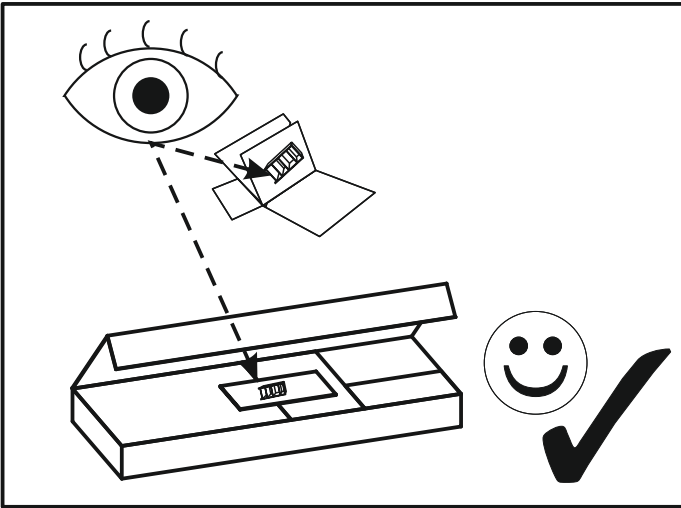
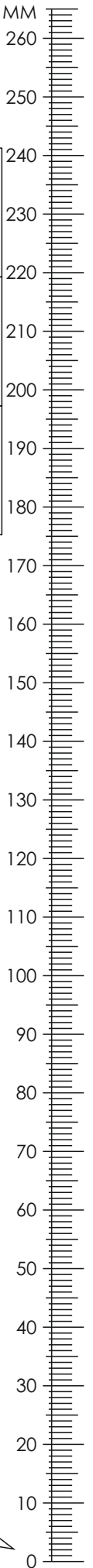


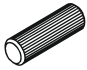
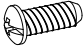


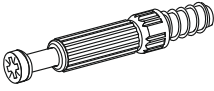

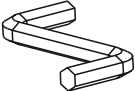
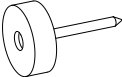

LASZ01

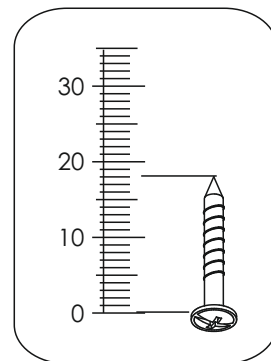




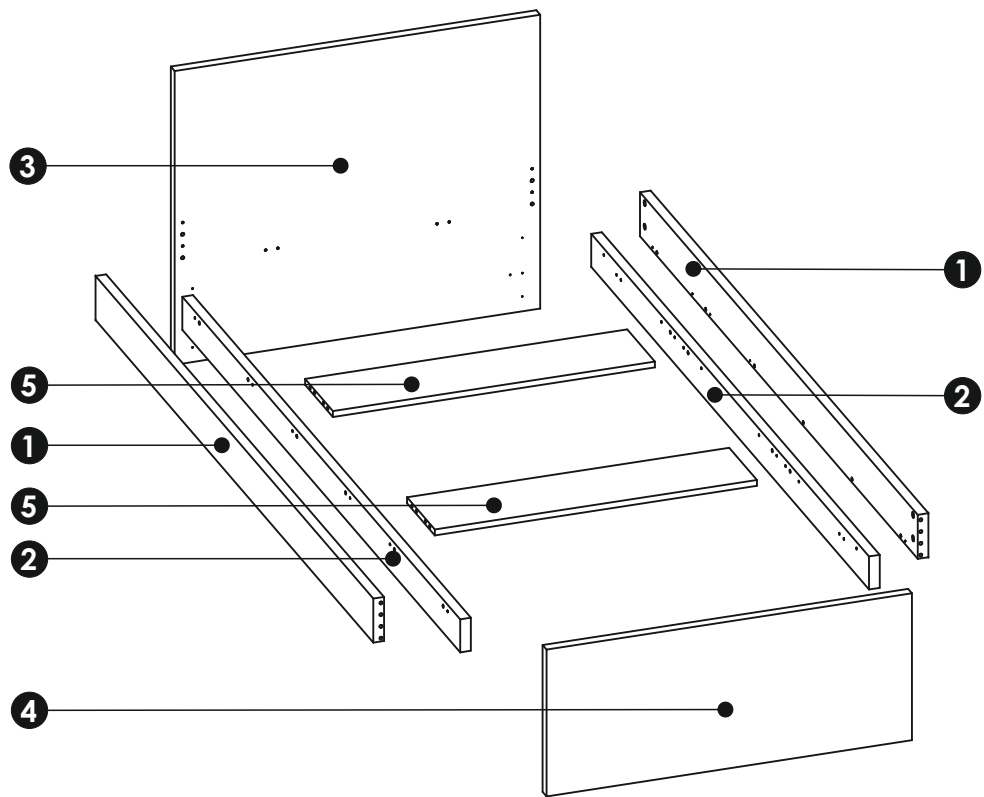
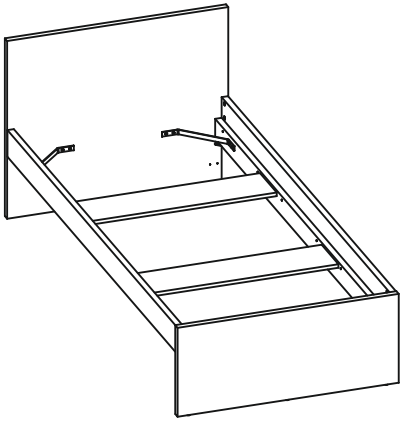
LASZ01



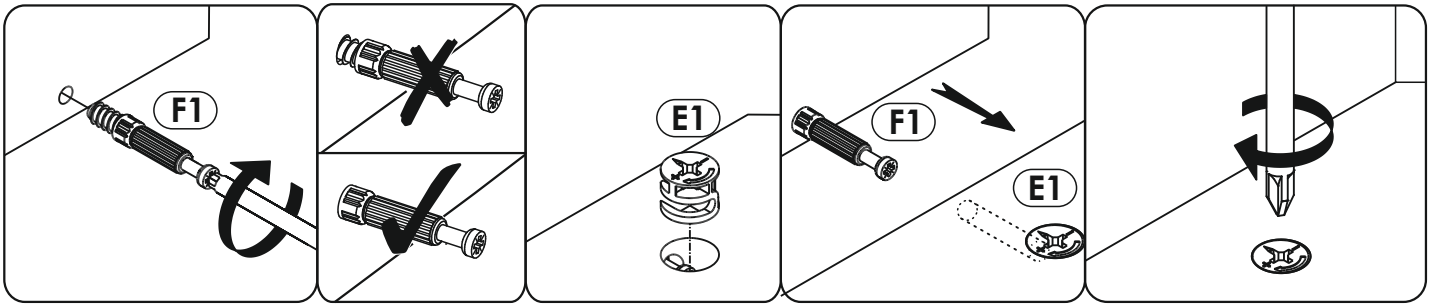
A1 8 x 35 mm x28 	C3 6,3 x 16 mm x16 	E0 x16 
E1 15 x 12 mm x16 	F1 6 x 34 mm x16 	I18 4 x 45mm x12 
M x1 	O2 x6 	X4 x4 



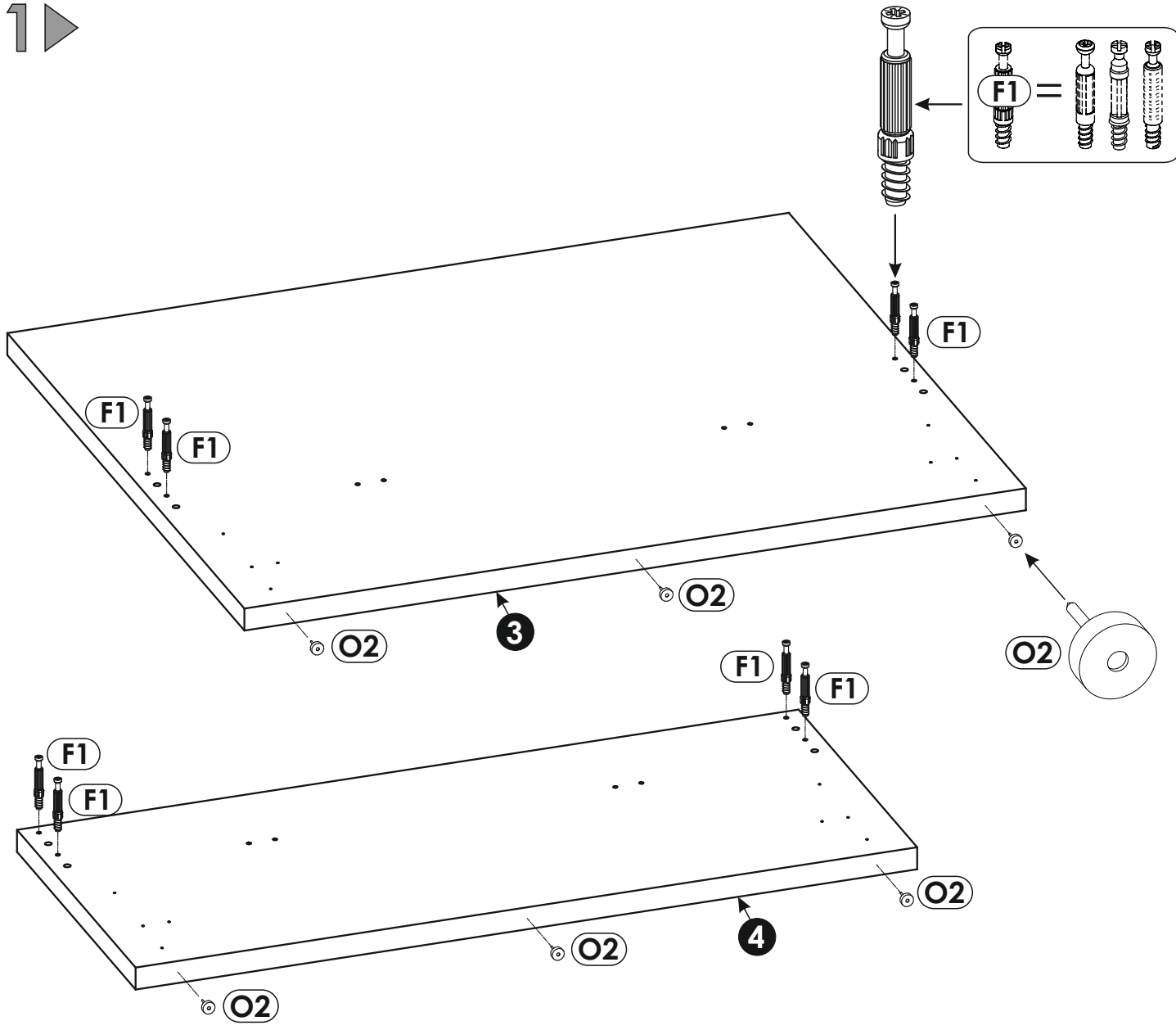
LASZ01



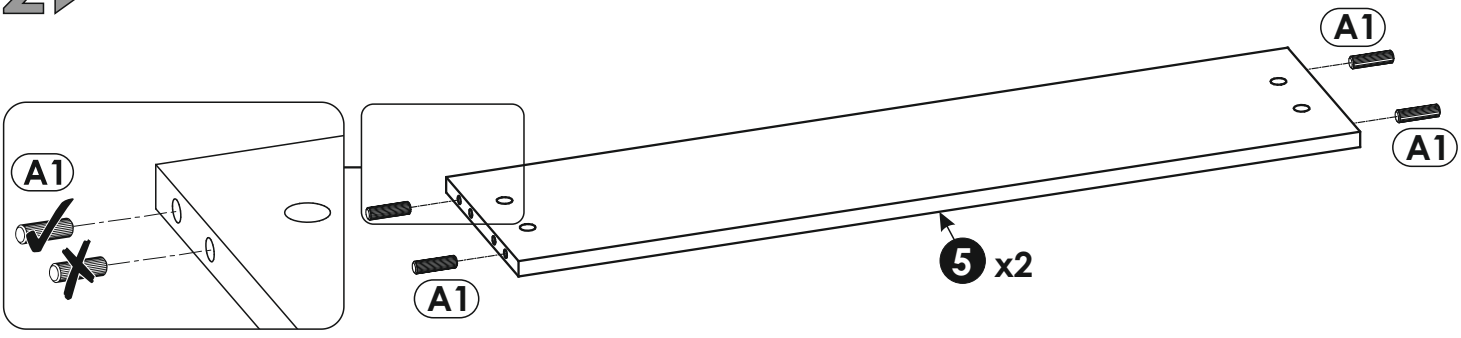
1	2005	120	28	x2	2/3
2	2005	90	28	x2	3/3
3	960	800	28	x1	1/3
4	960	400	28	x1	1/3
5	846	200	16	x2	1/3



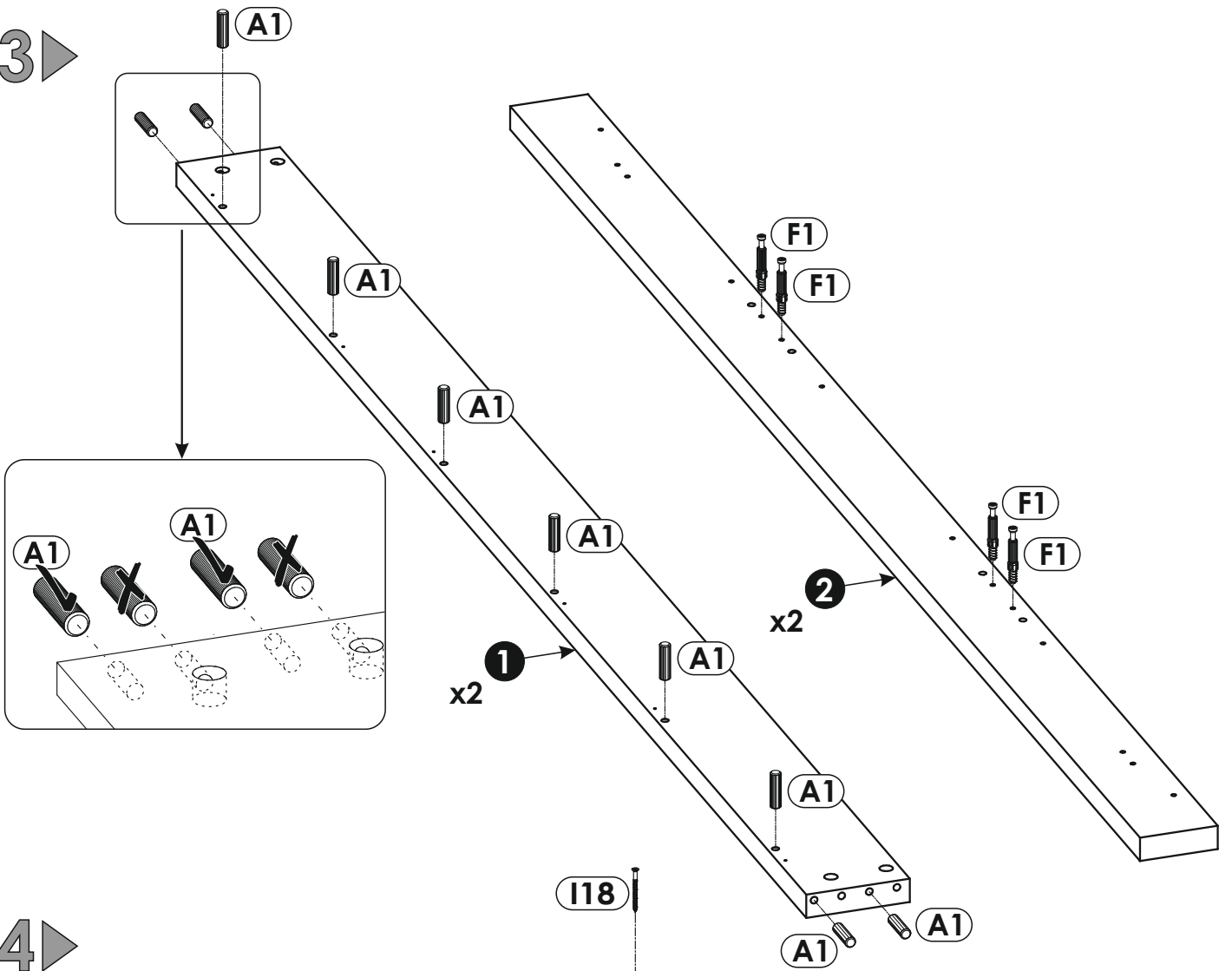
1 ▶



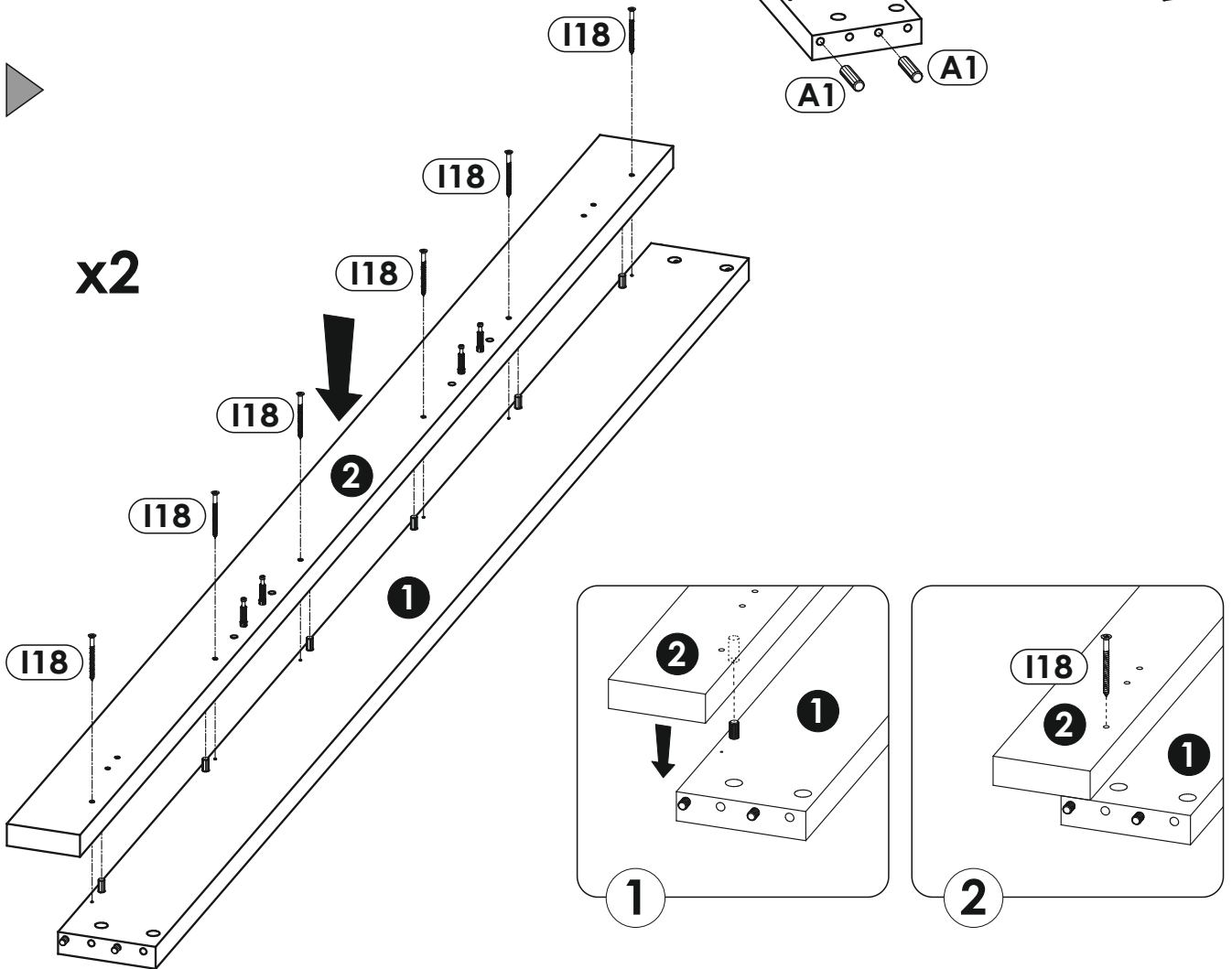
2 ▶



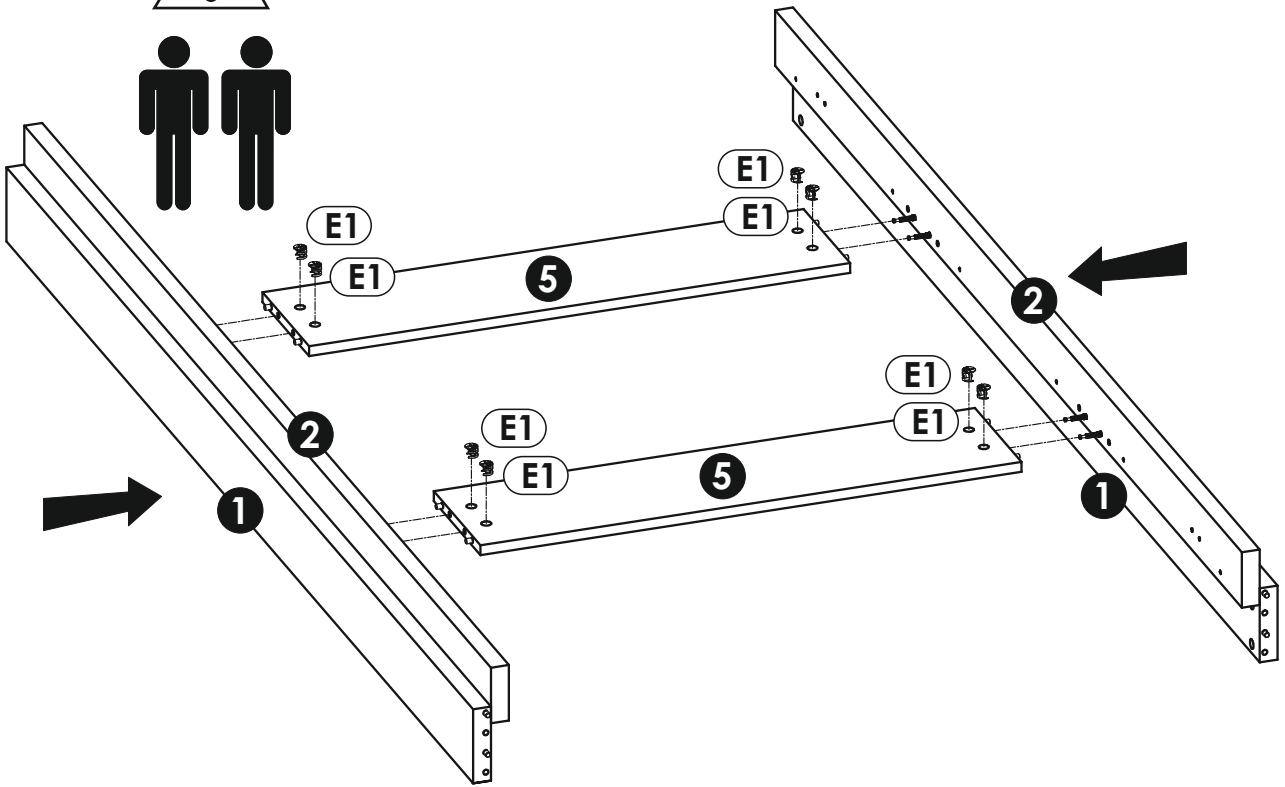
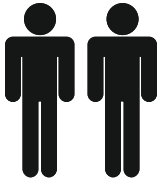
3 ▶



4 ▶



5 ▶



6 ▶

