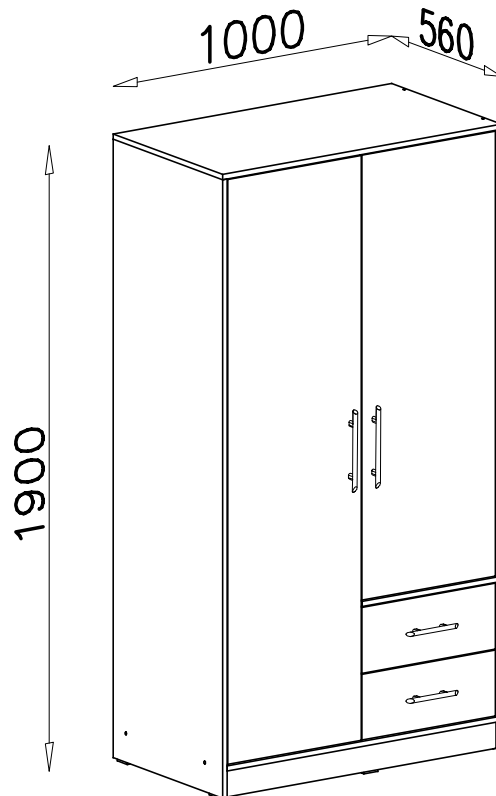
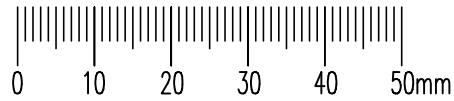
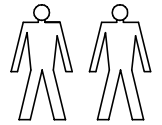
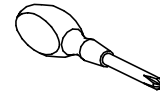
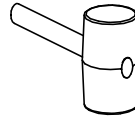
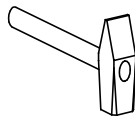
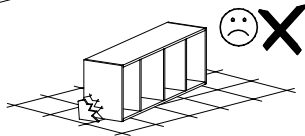
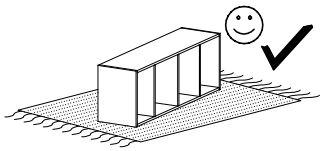
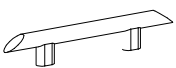
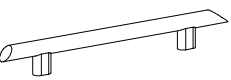

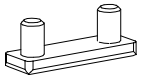
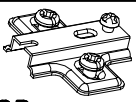
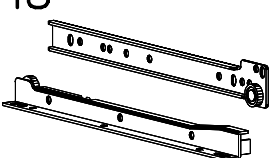
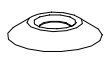

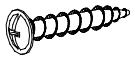
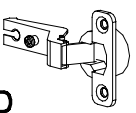
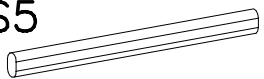



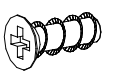
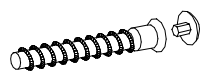

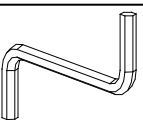
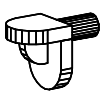
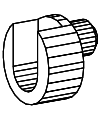
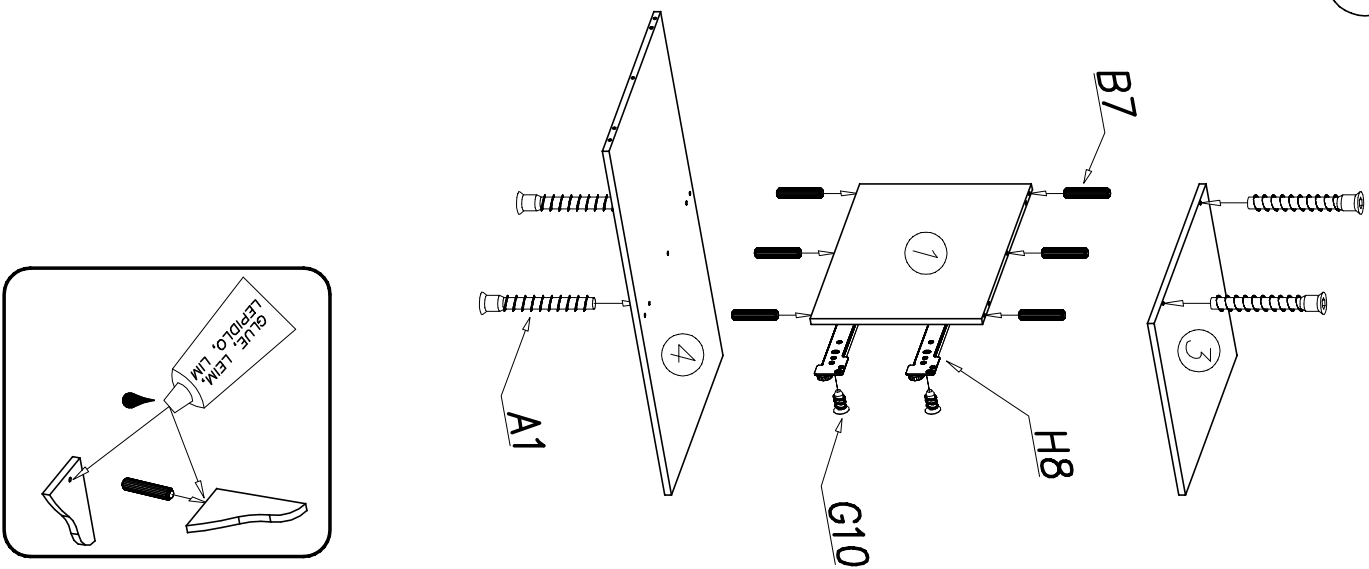


SMART SR3/SRL3

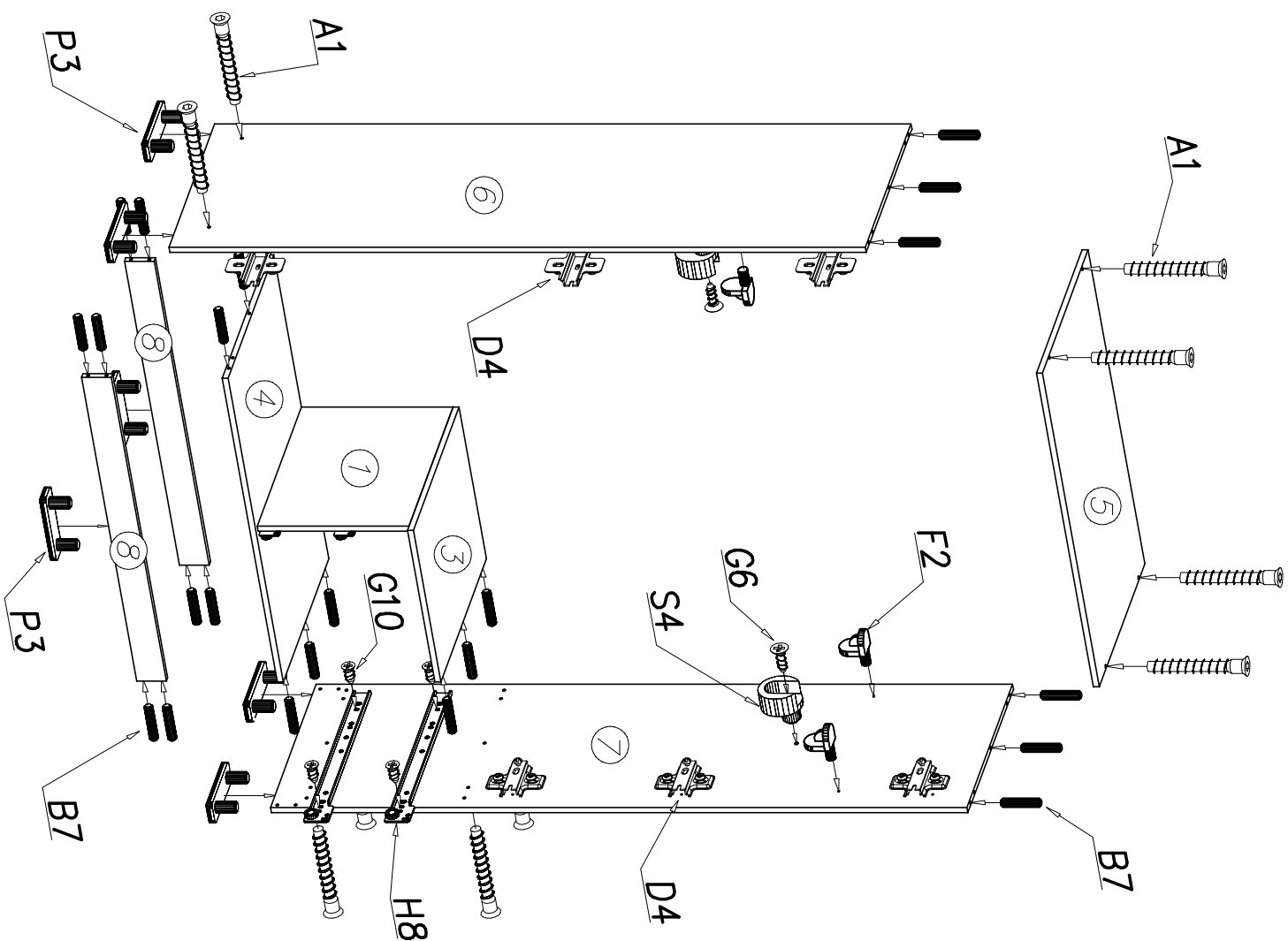


				E7  x2	E6  x2
	S1  1355mm x1	P3  x6	D4  PZ350D x6	H8  500mm x2	
S2  x4	W1  GLUE, LEIM, LEPIDLO, LIM x3	G8  4x30 x8	C4  Z350D x6		
S5  956mm x1	G4  4x16 x24	G2  3x20 x60	G6  3x13 x2	G10  6x13 x8	
A1  ø7x50 x14	B7  ø8x30 x45	W2  x1	F1  x4	S4  x2	

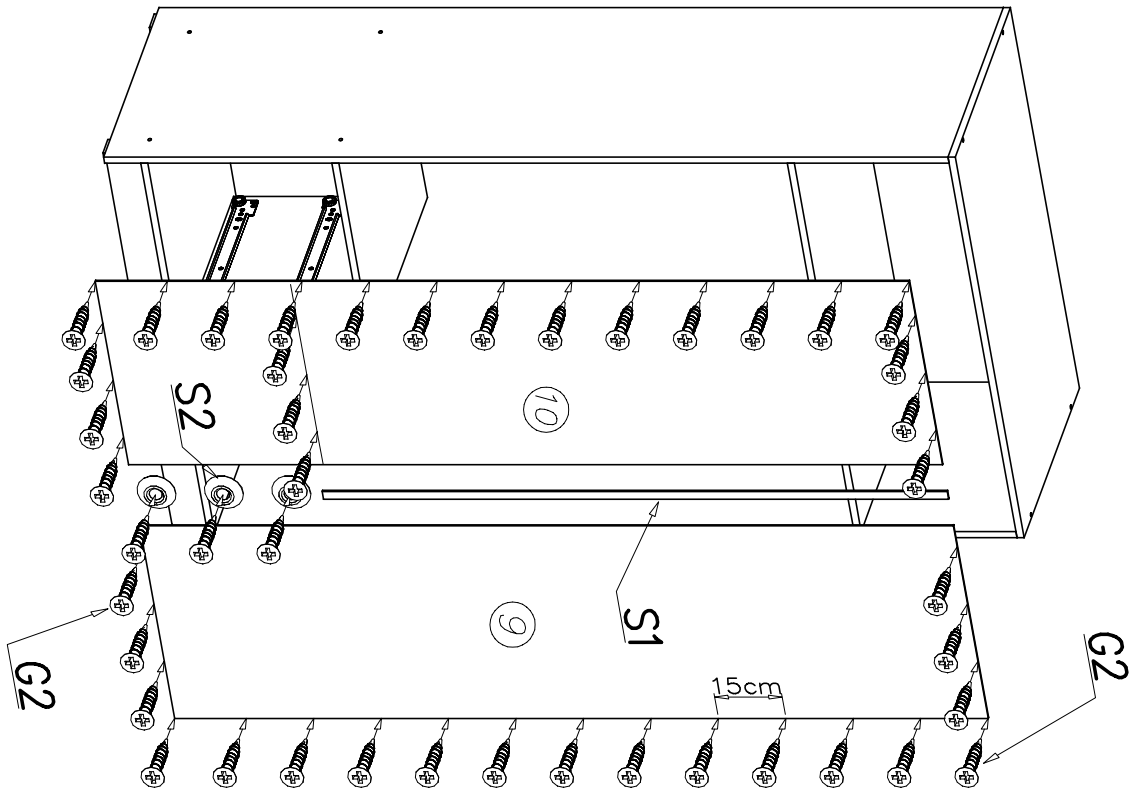
I



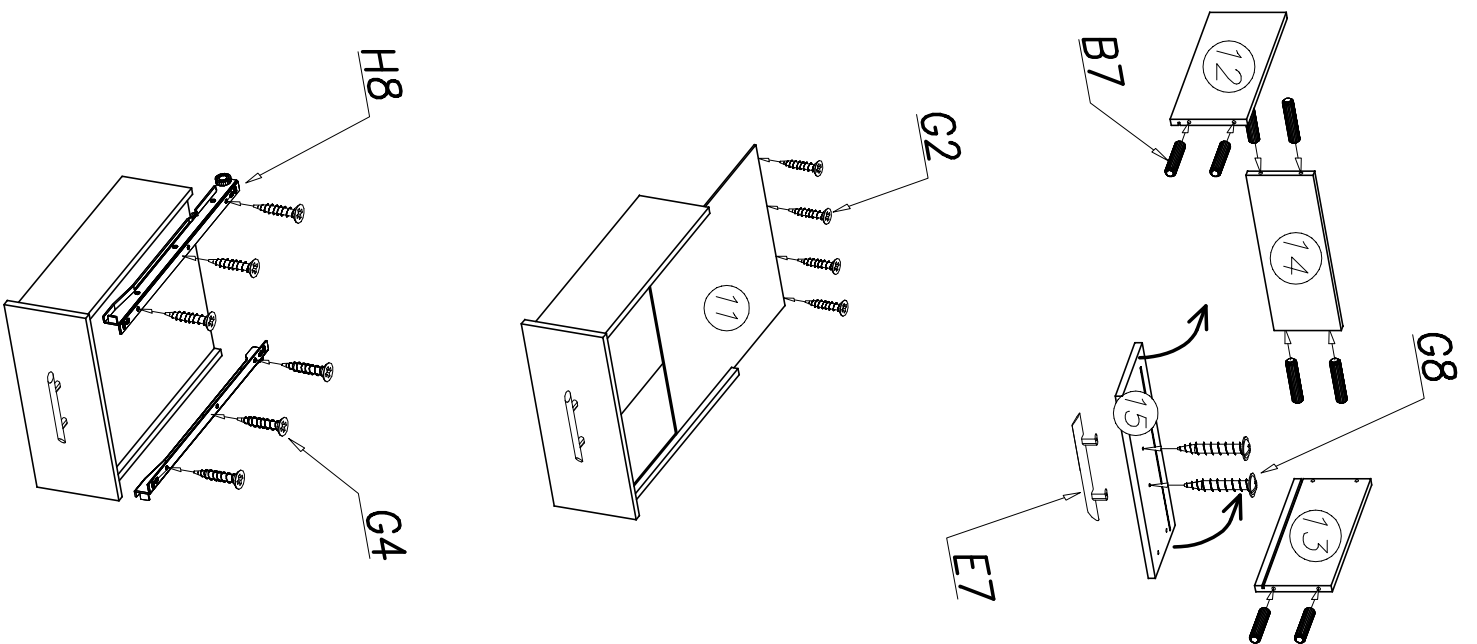
II



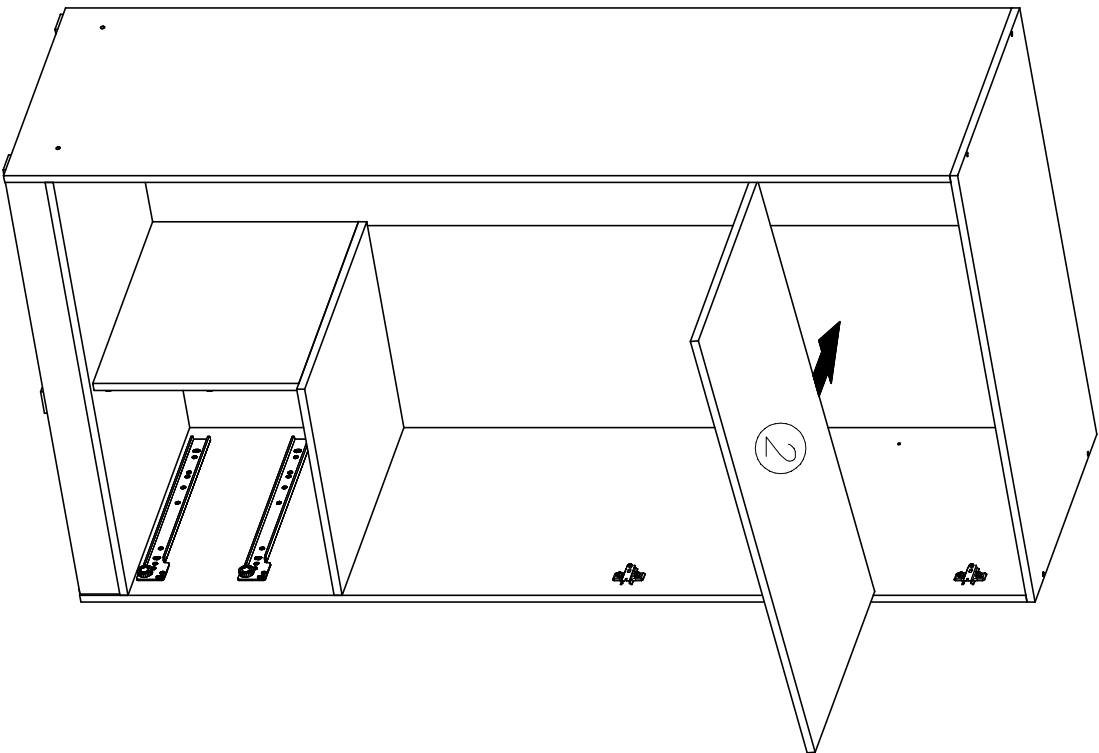
III



IV



V



VI

