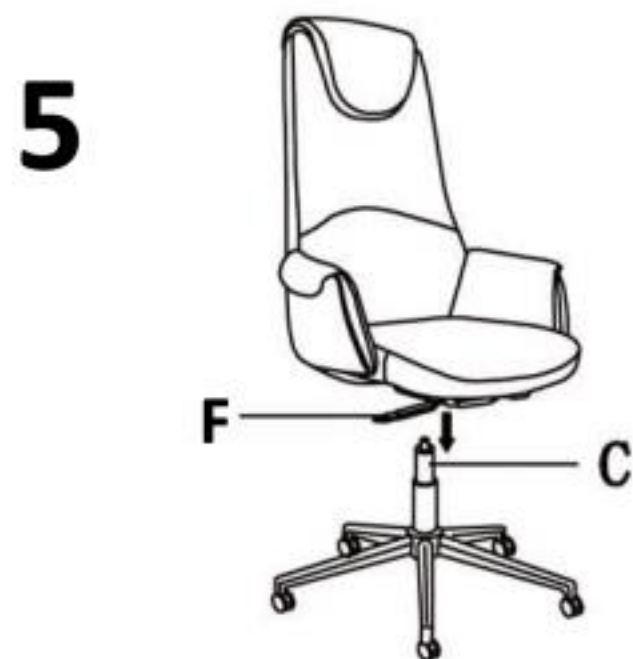
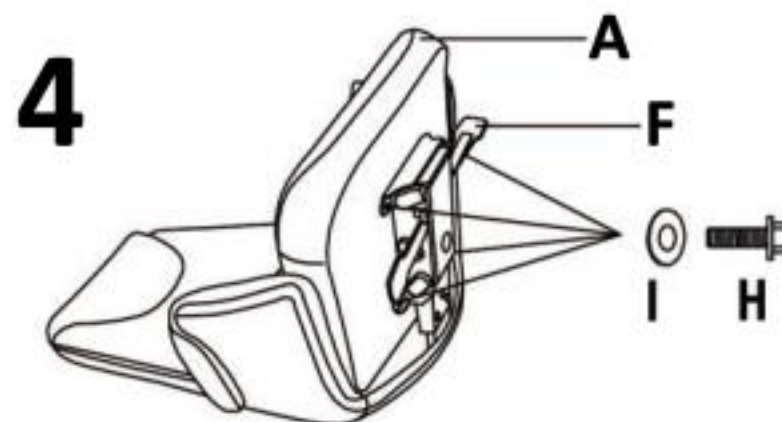
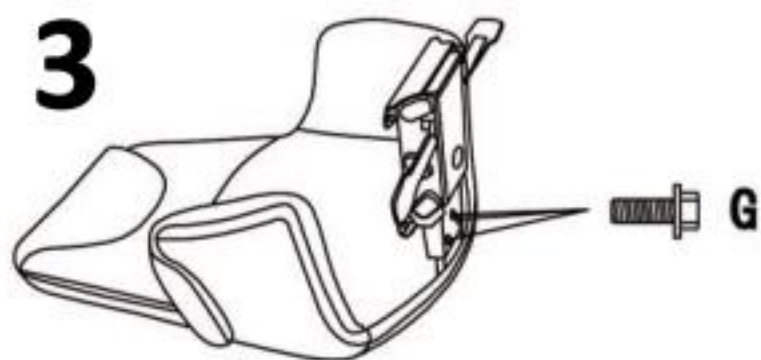
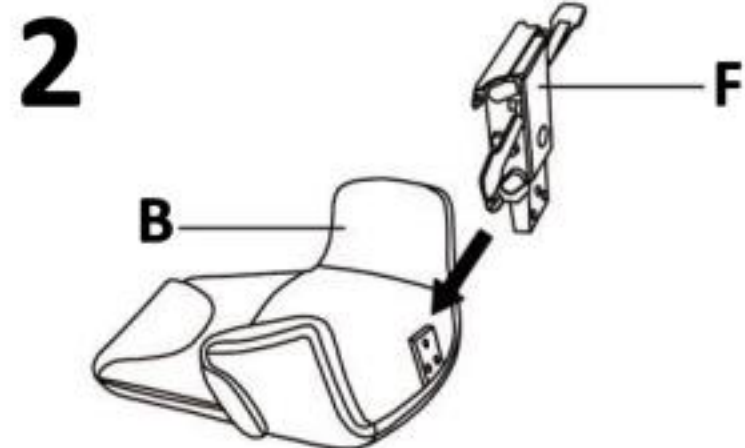
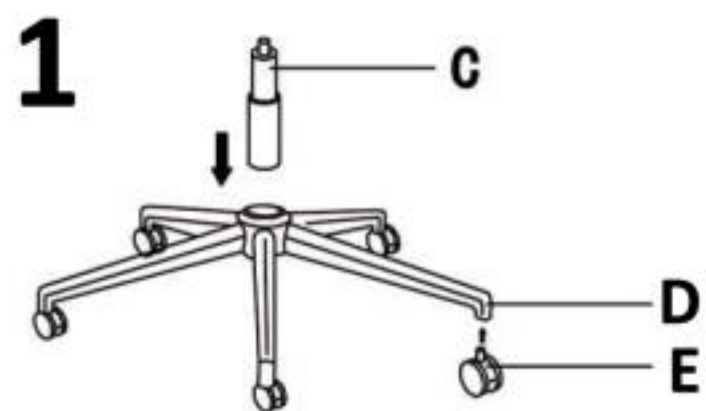
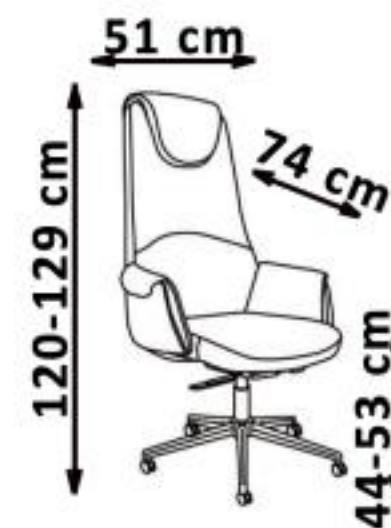


CALVANO



A		1
B		1
C		1
D		1
E		5
F		1
G	M8x20mm	3
H	M6x20mm	4
I		4



max. 100 kg

v.1