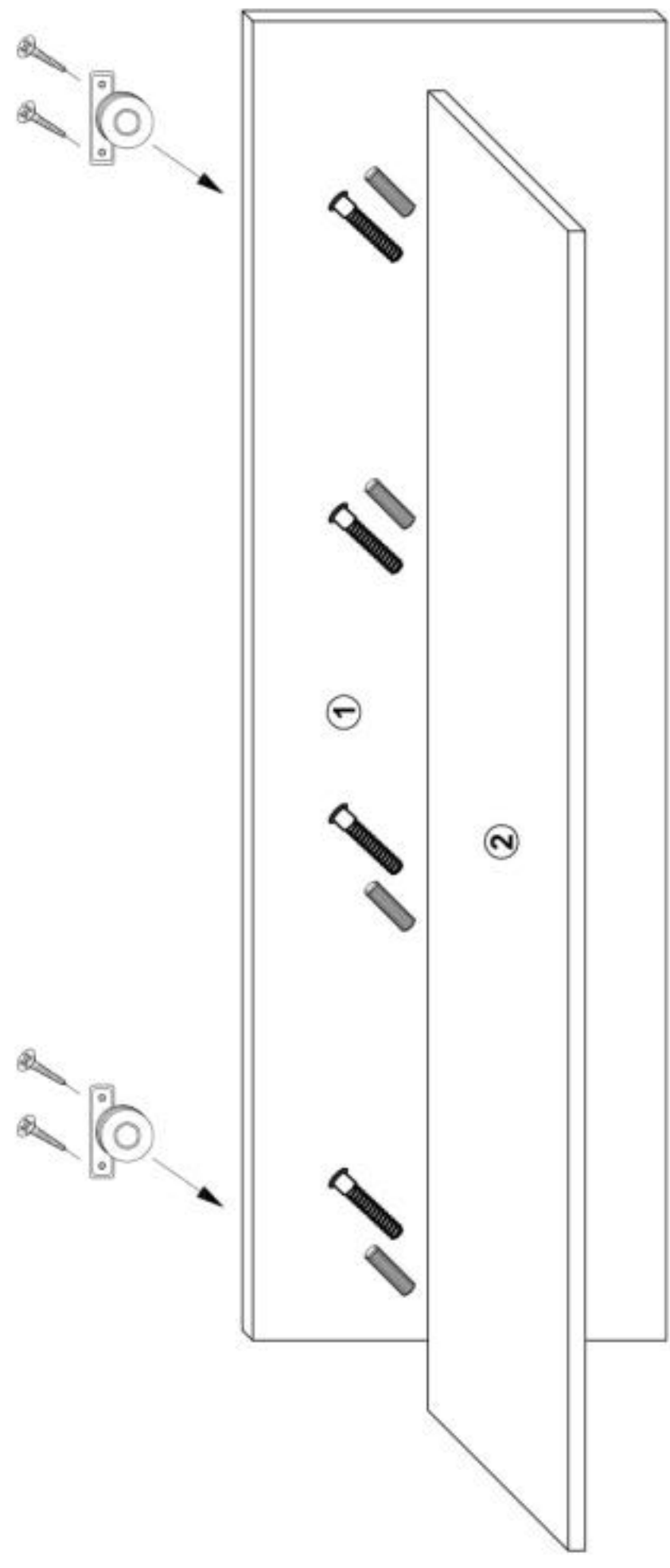
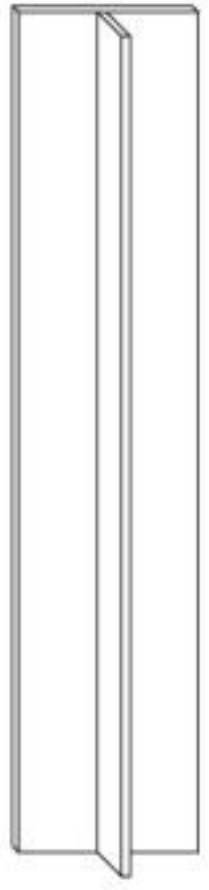
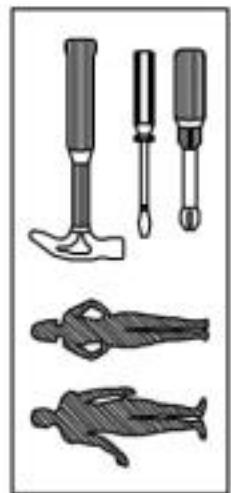






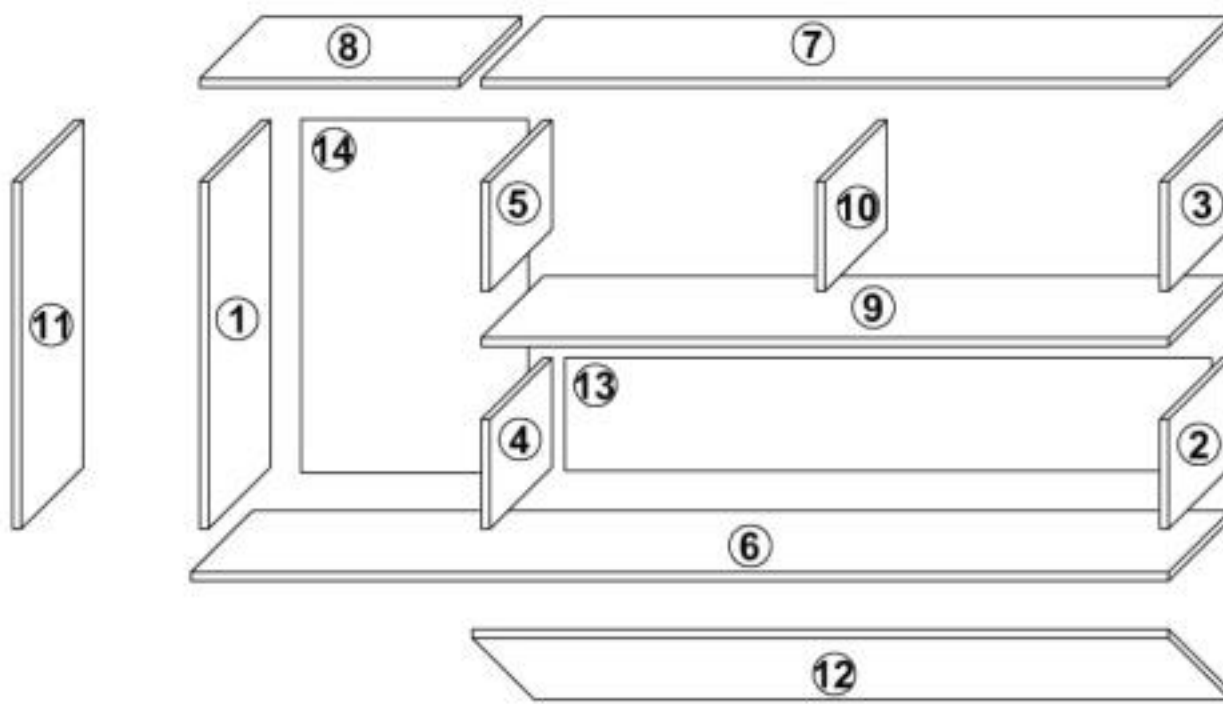
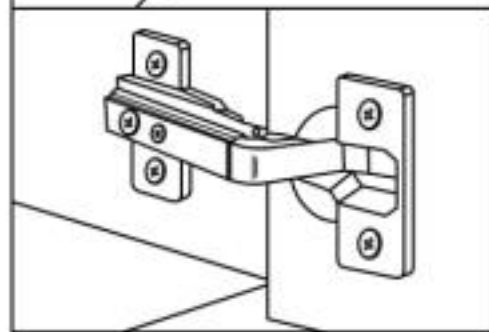
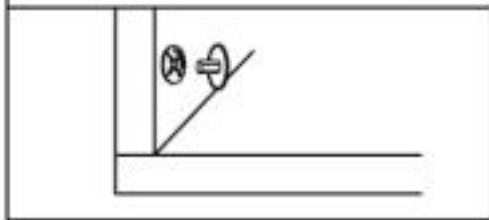
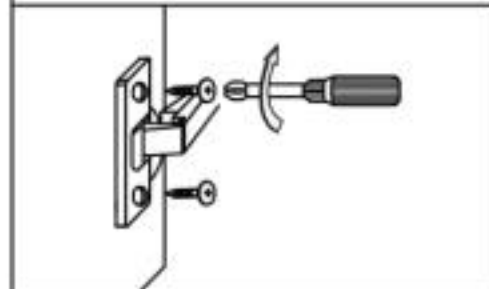
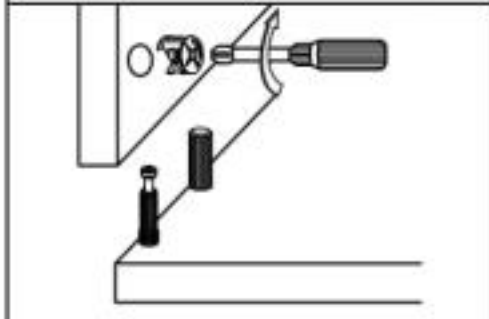
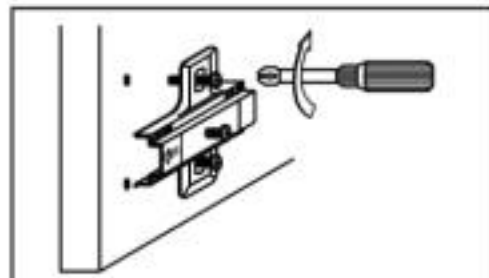
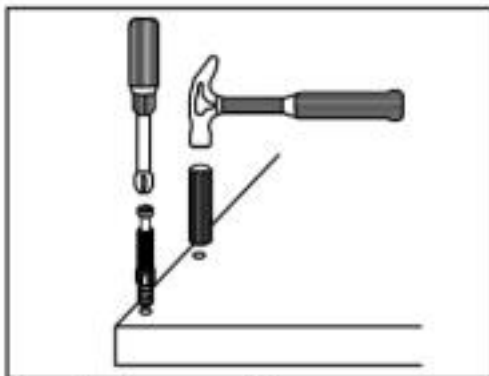
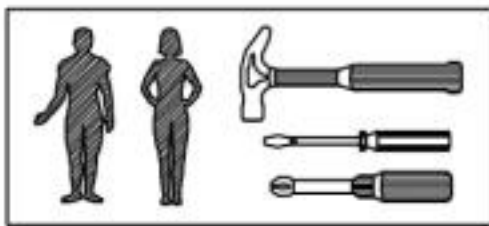
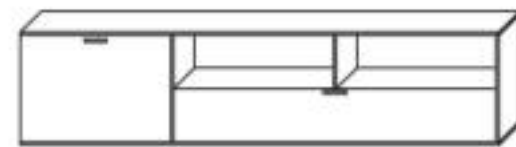










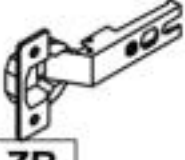







SNAP

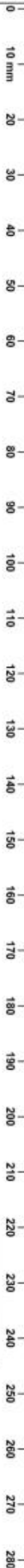


	KF50	4		KZ	1		8x45	4		ZMS	2		W5x10	4		K8x40	2
---	------	---	---	----	---	---	------	---	---	-----	---	---	-------	---	---	-------	---

SNAP

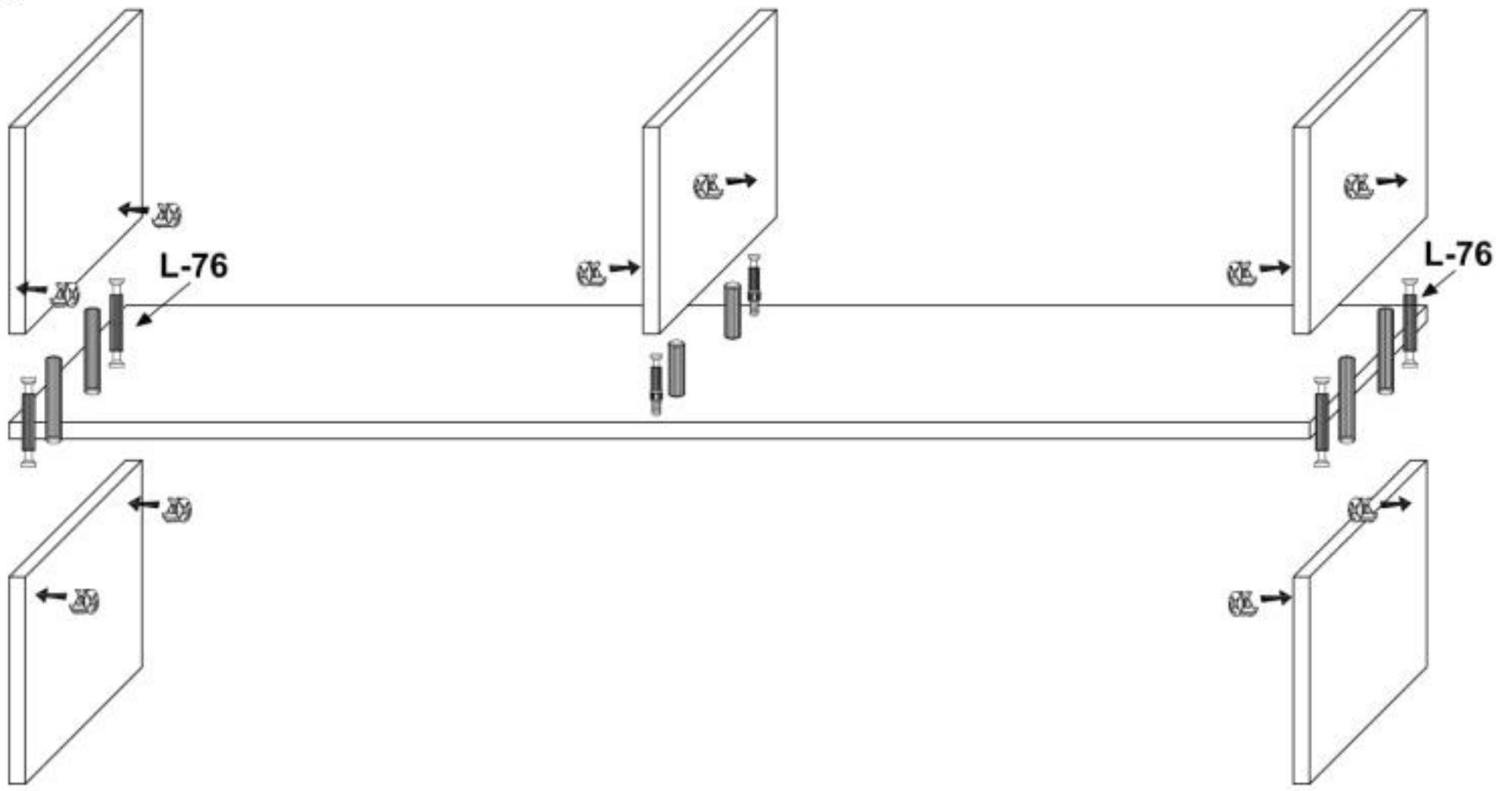


 TM	 MM	 ZMB	 ZMC	 L-68	 L-76	 8x45	 8x30	 ZR
16	28	14	14	2	4	6	16	4
 PZ	 W4x16	 SW	 W4x20	 G2	 U1	 W4x16		
4	8	6	6	25	2	4		

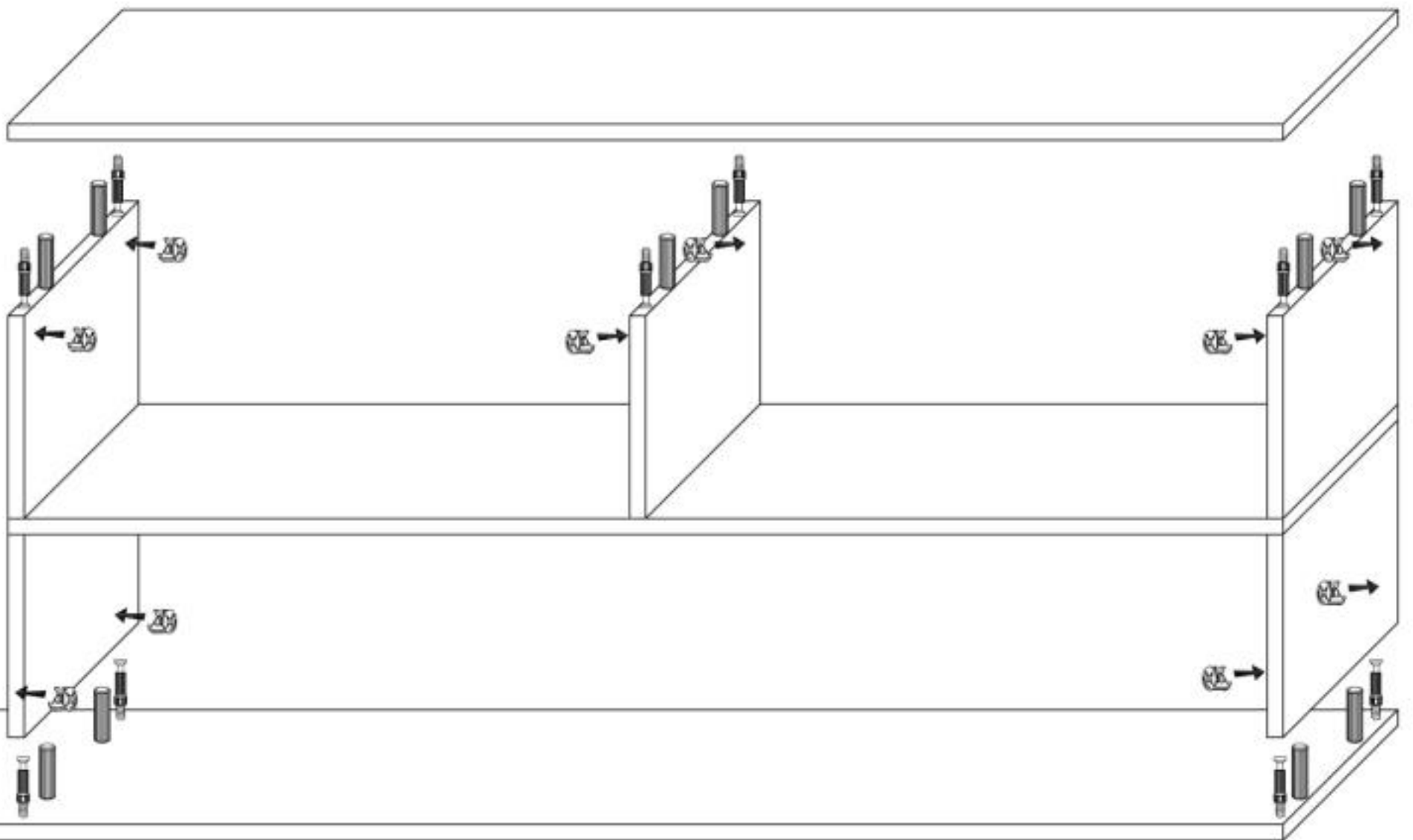


NOWOŚĆ

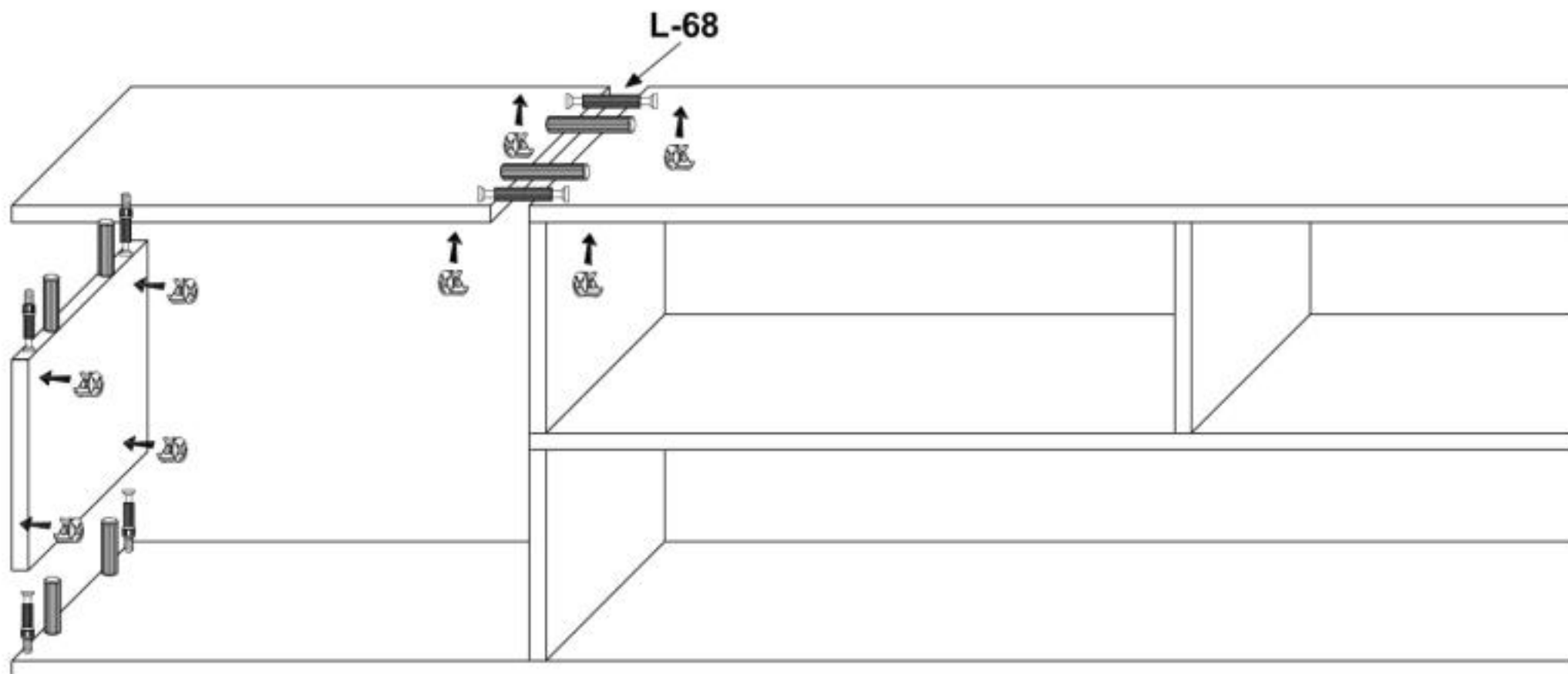
1



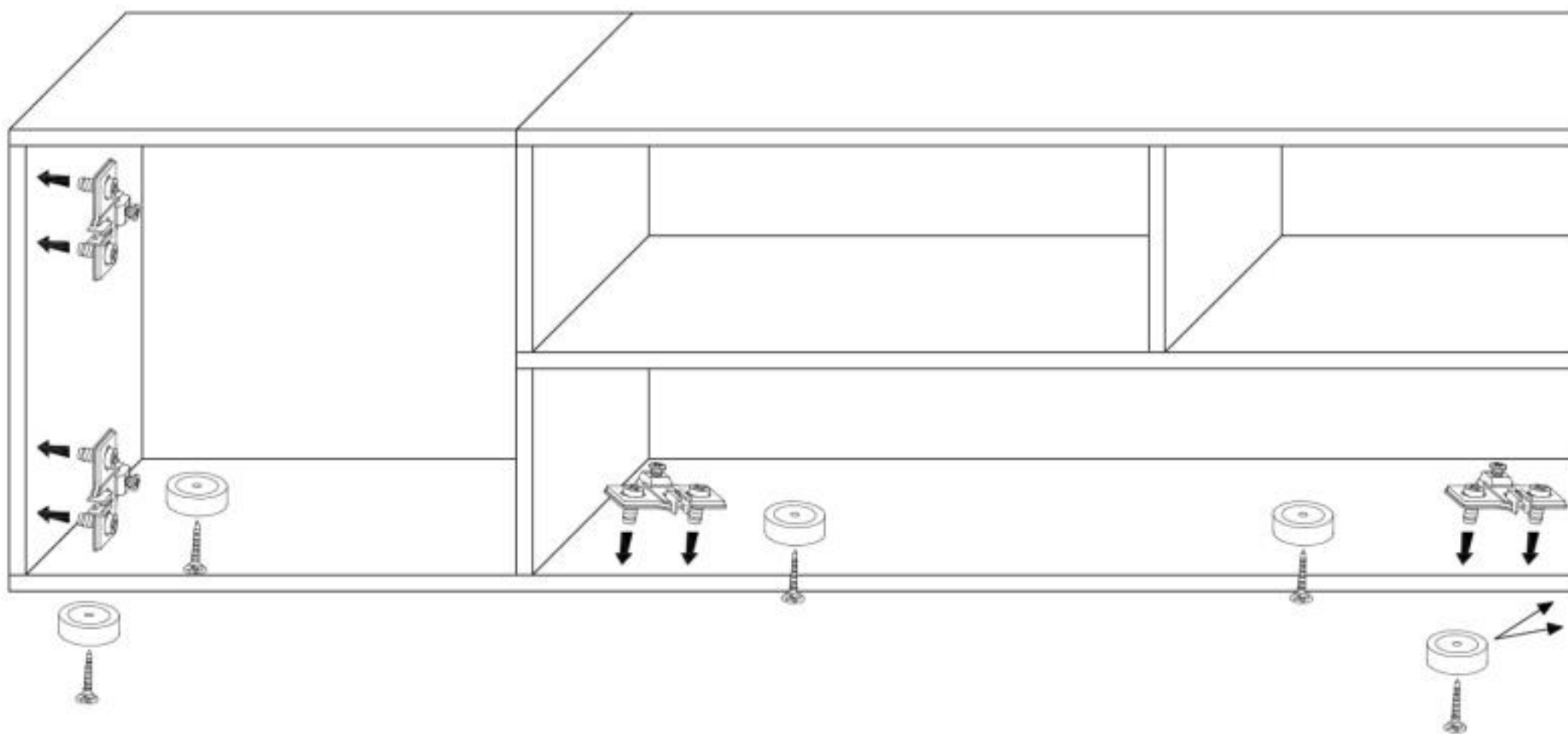
2

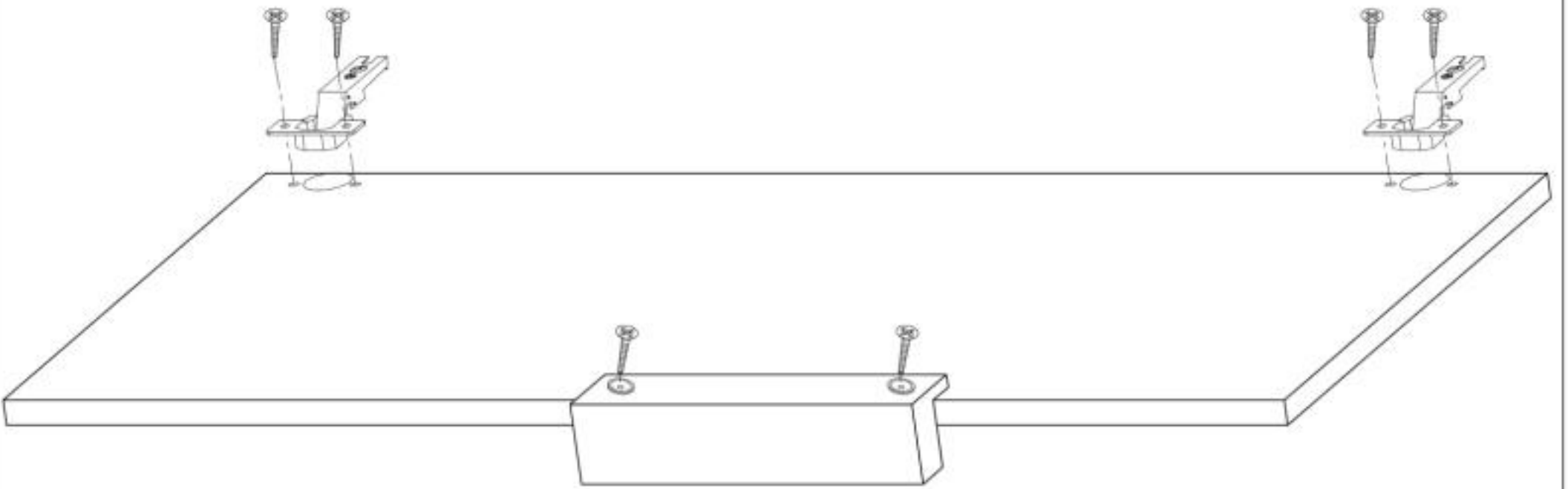
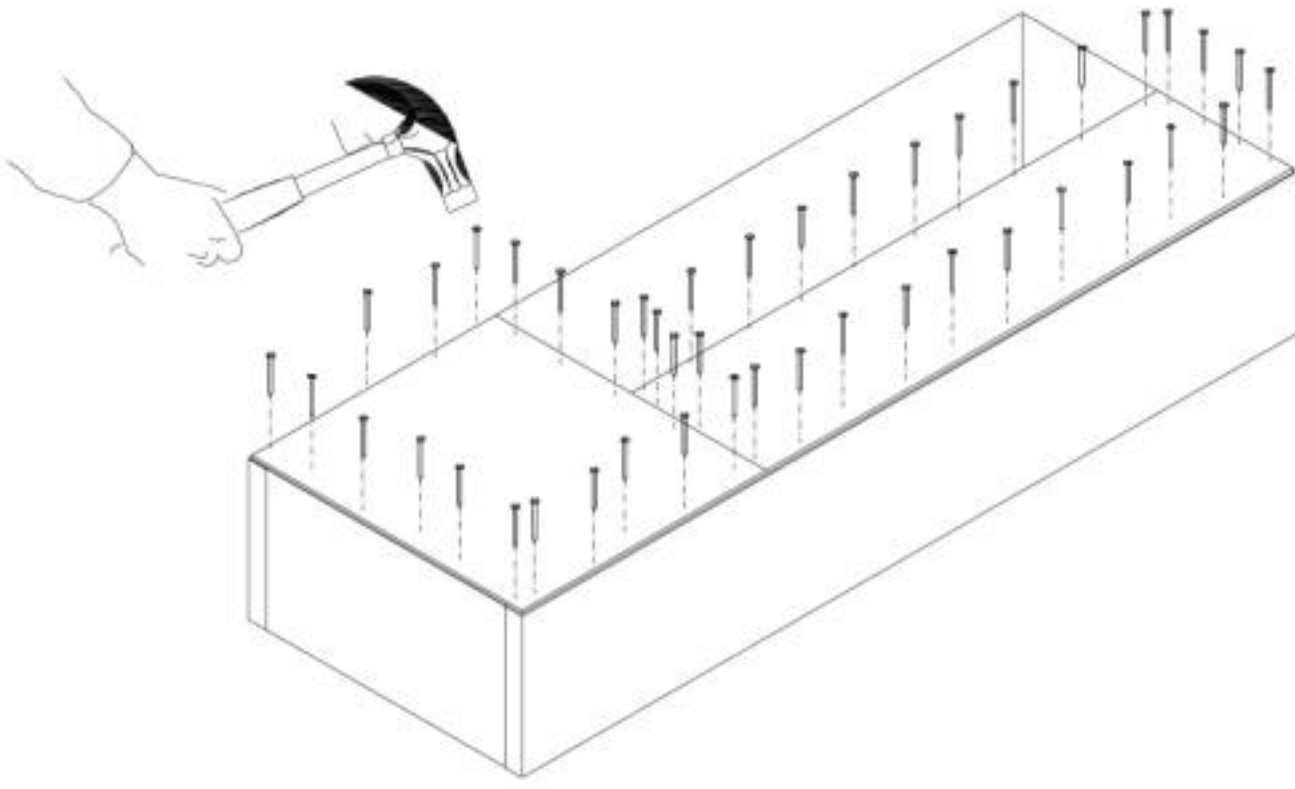


3

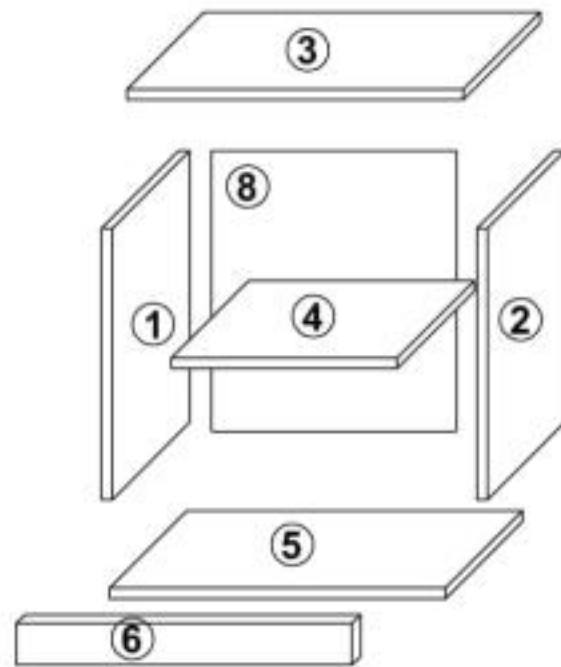
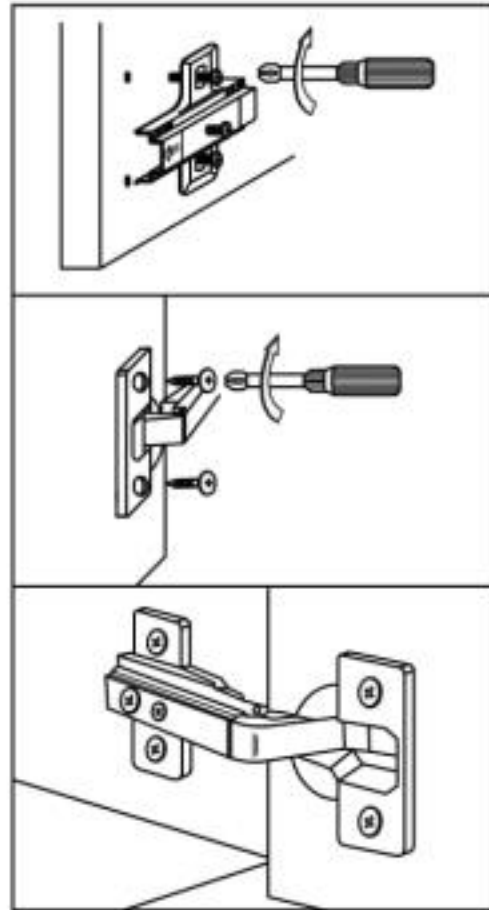
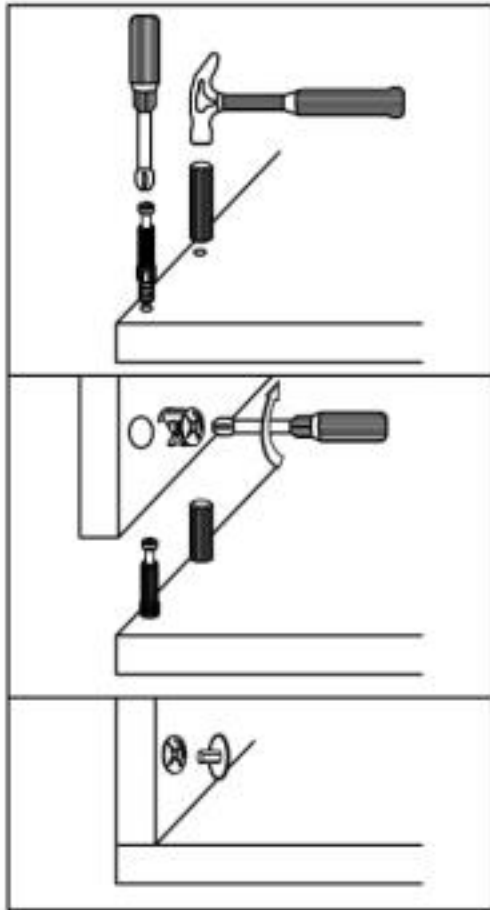
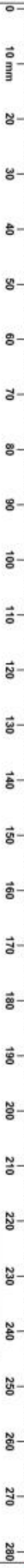
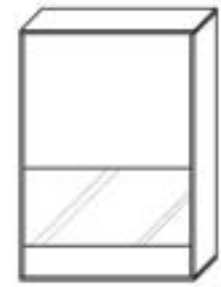
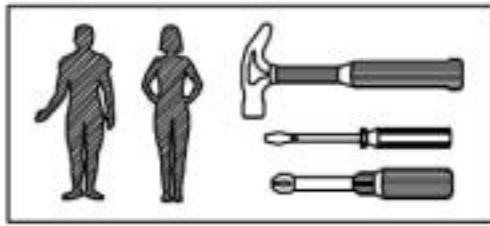






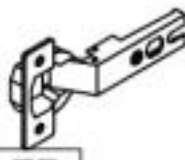




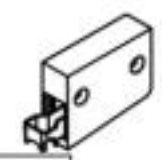




3



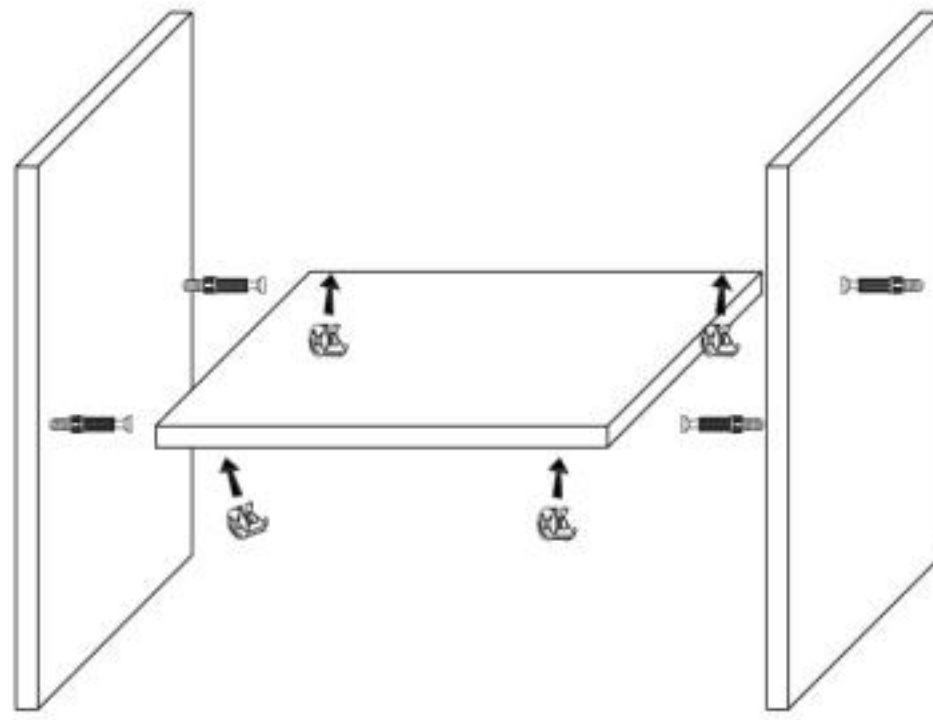


SNAP

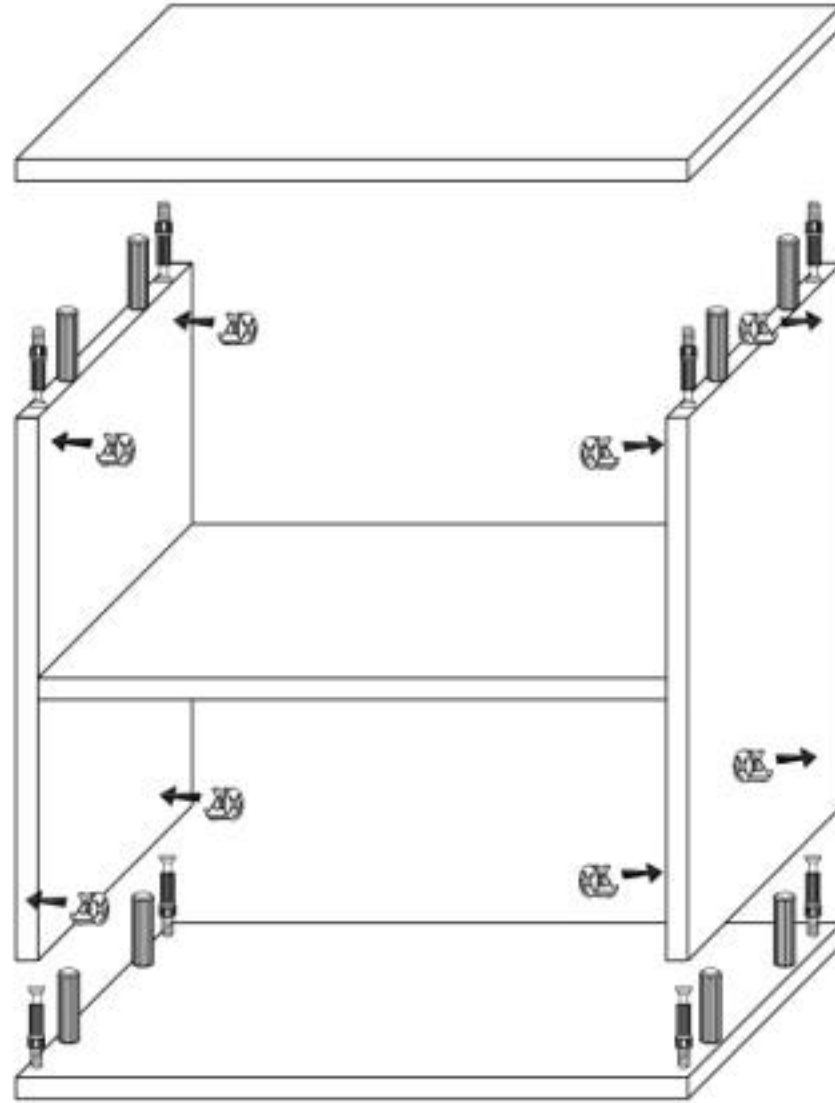


								
TM	MM	ZM	8x30	ZR	PZ	W4x16	ODB	W3x16
14	14	14	10	2	2	4	1	2
								
ZA	W4x30	K10x50	STB	KLEJ				
2	4	4	6	1				

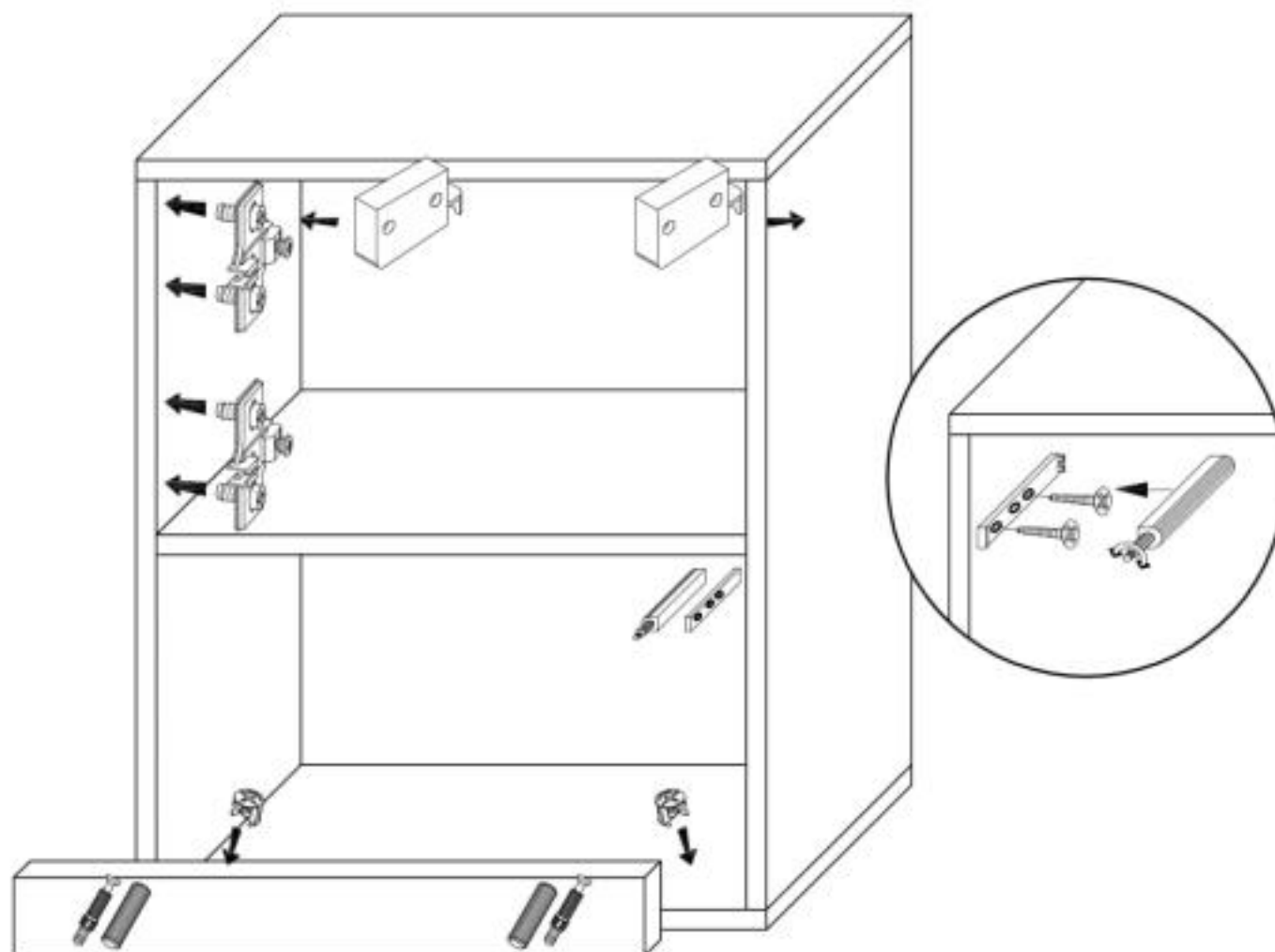
1



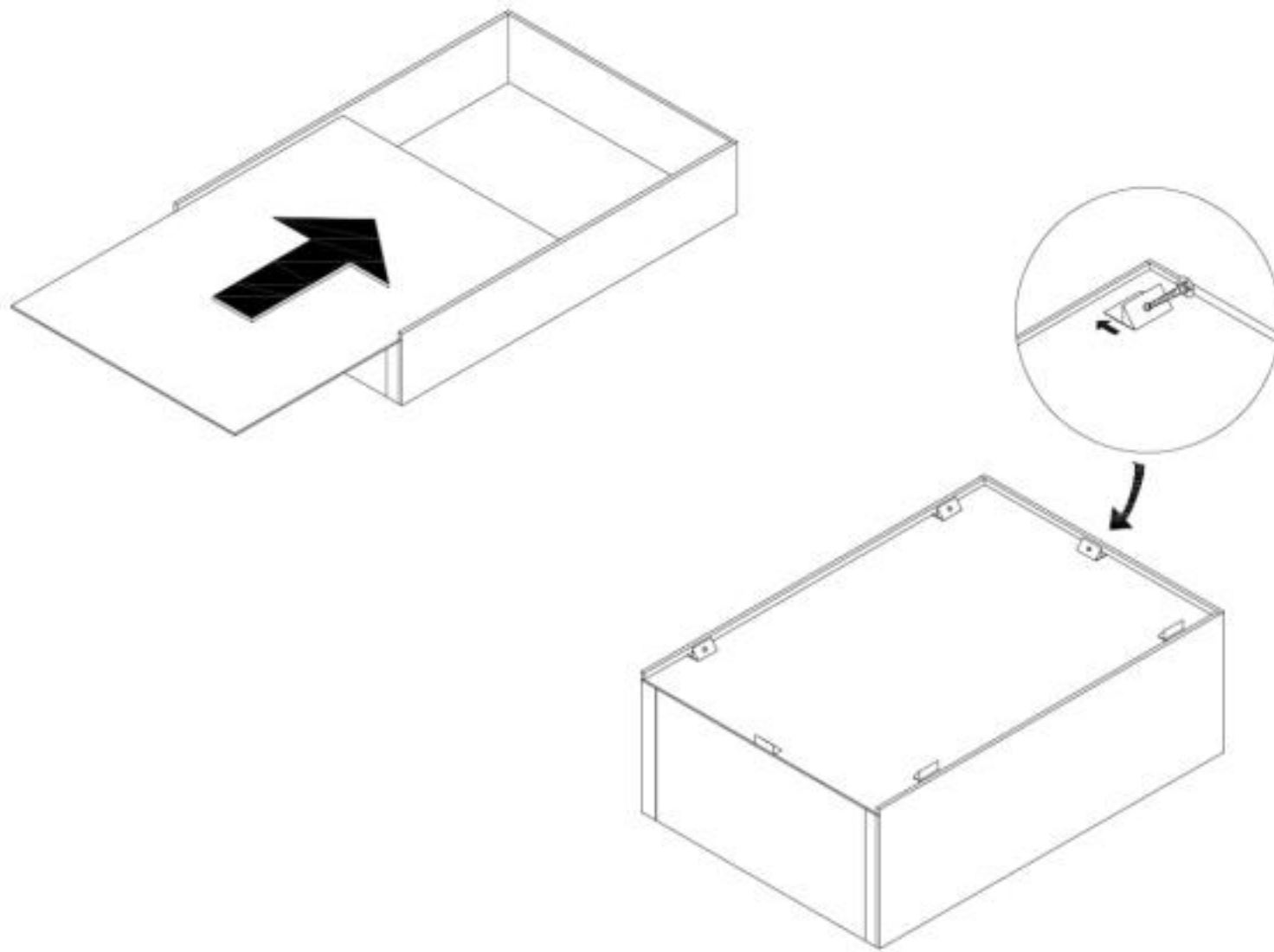
2



3



4



5

