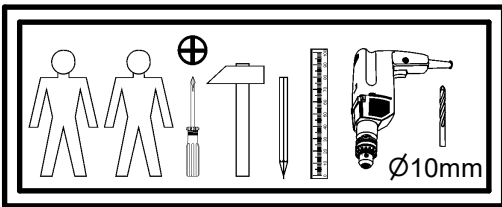
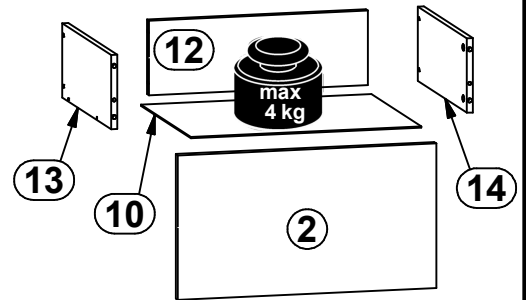
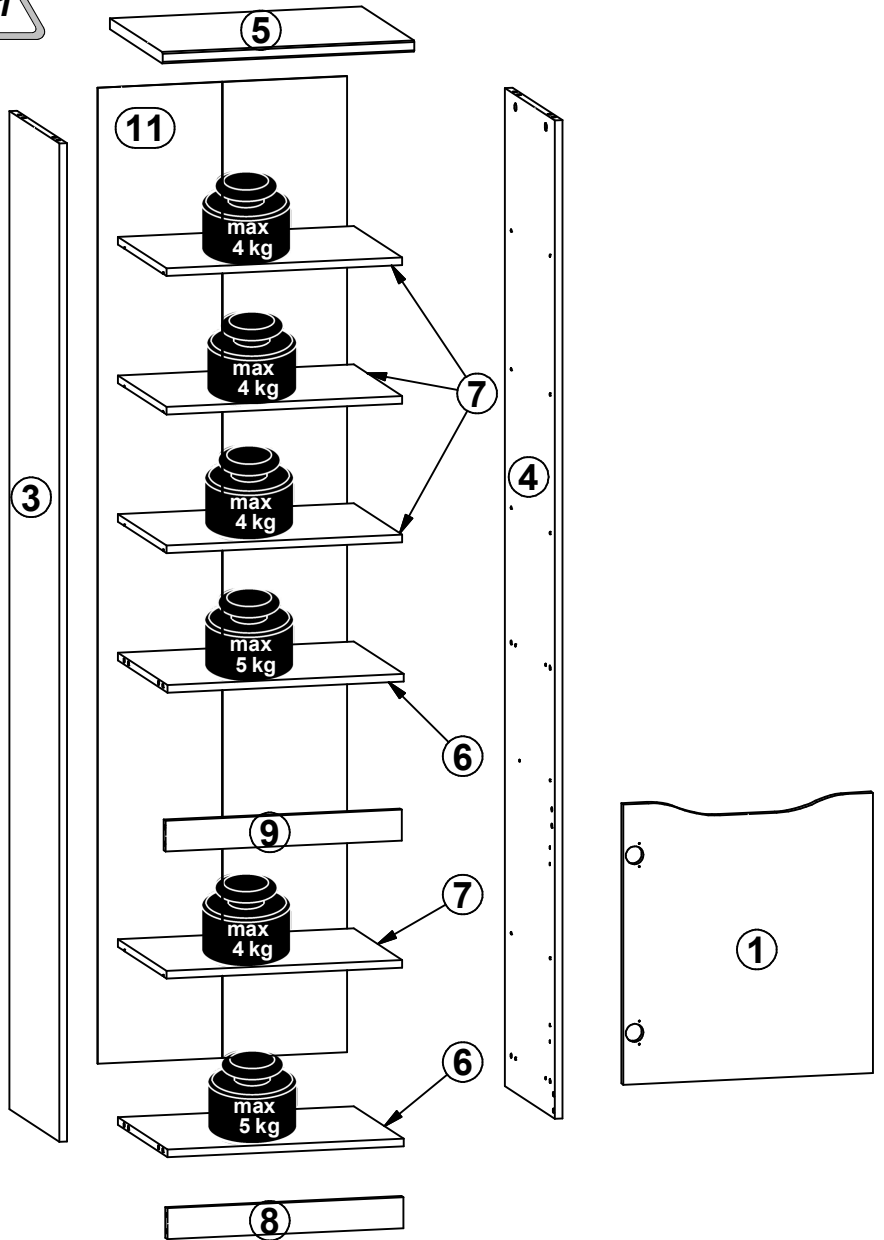
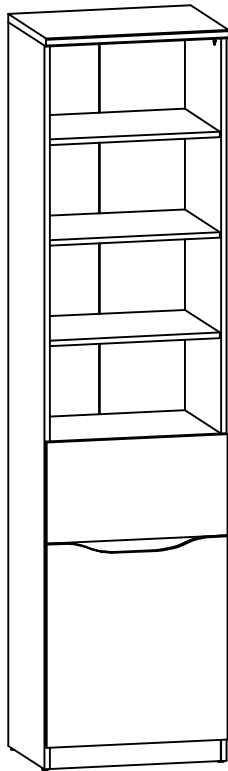
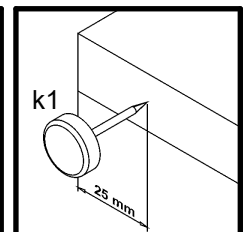
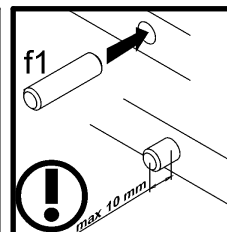
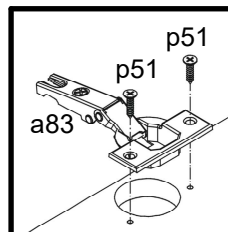
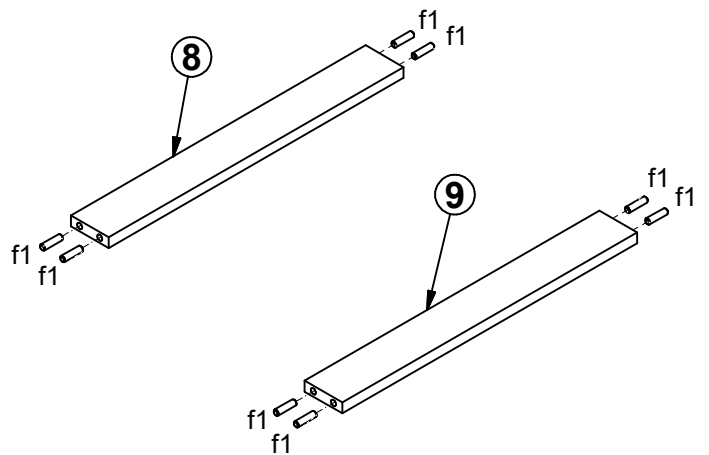
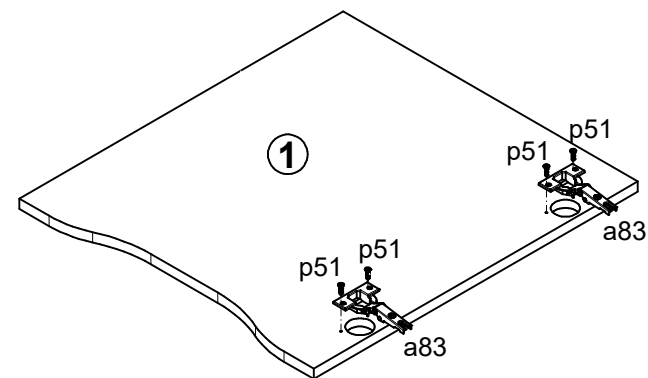
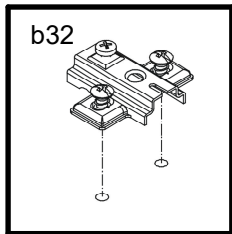
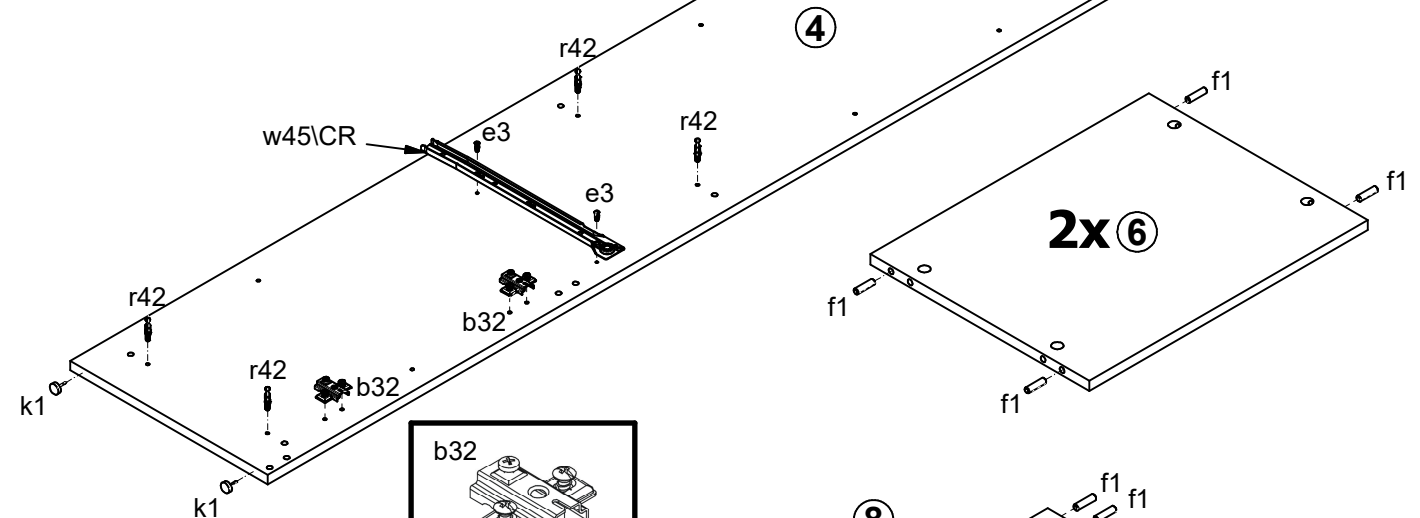
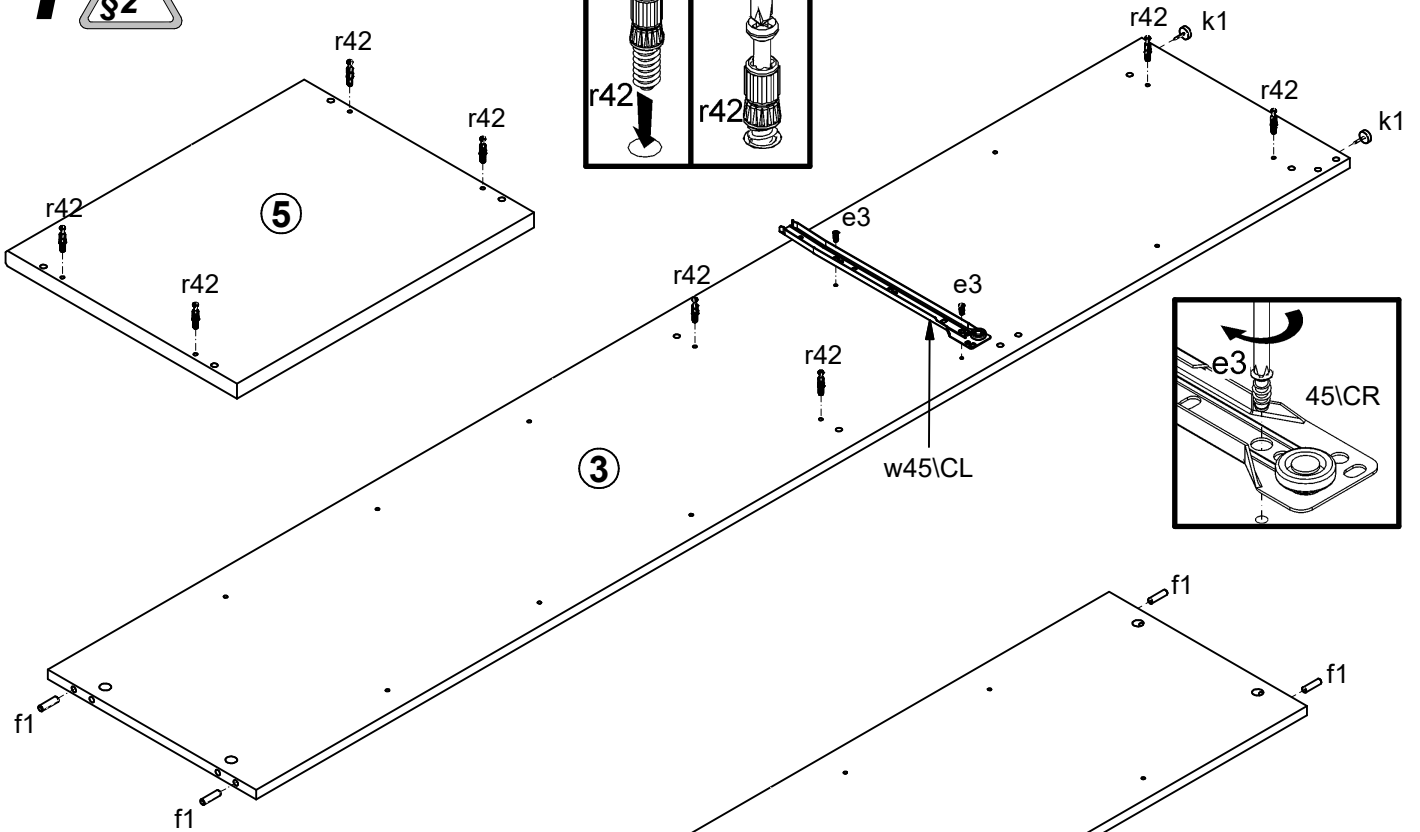
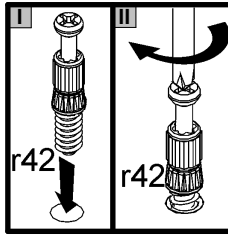


| A | B | C | D |
|----|-----------|------|---------|
| 1 | S396-0025 | 546 | 496 3/3 |
| 2 | S396-0026 | 496 | 272 3/3 |
| 3 | S396-1034 | 1945 | 370 1/3 |
| 4 | S396-1035 | 1945 | 370 1/3 |
| 5 | S396-2008 | 500 | 390 2/3 |
| 6 | S396-3015 | 469 | 369 2/3 |
| 7 | S396-3016 | 468 | 360 2/3 |
| 8 | S396-4012 | 469 | 60 2/3 |
| 9 | S396-4013 | 469 | 60 2/3 |
| 10 | S396-9011 | 442 | 357 2/3 |
| 11 | S396-9306 | 1901 | 495 1/3 |
| 12 | ZS7-5059 | 420 | 140 2/3 |
| 13 | ZS7-513 | 350 | 140 2/3 |
| 14 | ZS7-514 | 350 | 140 2/3 |

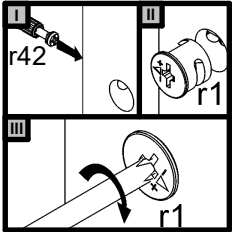
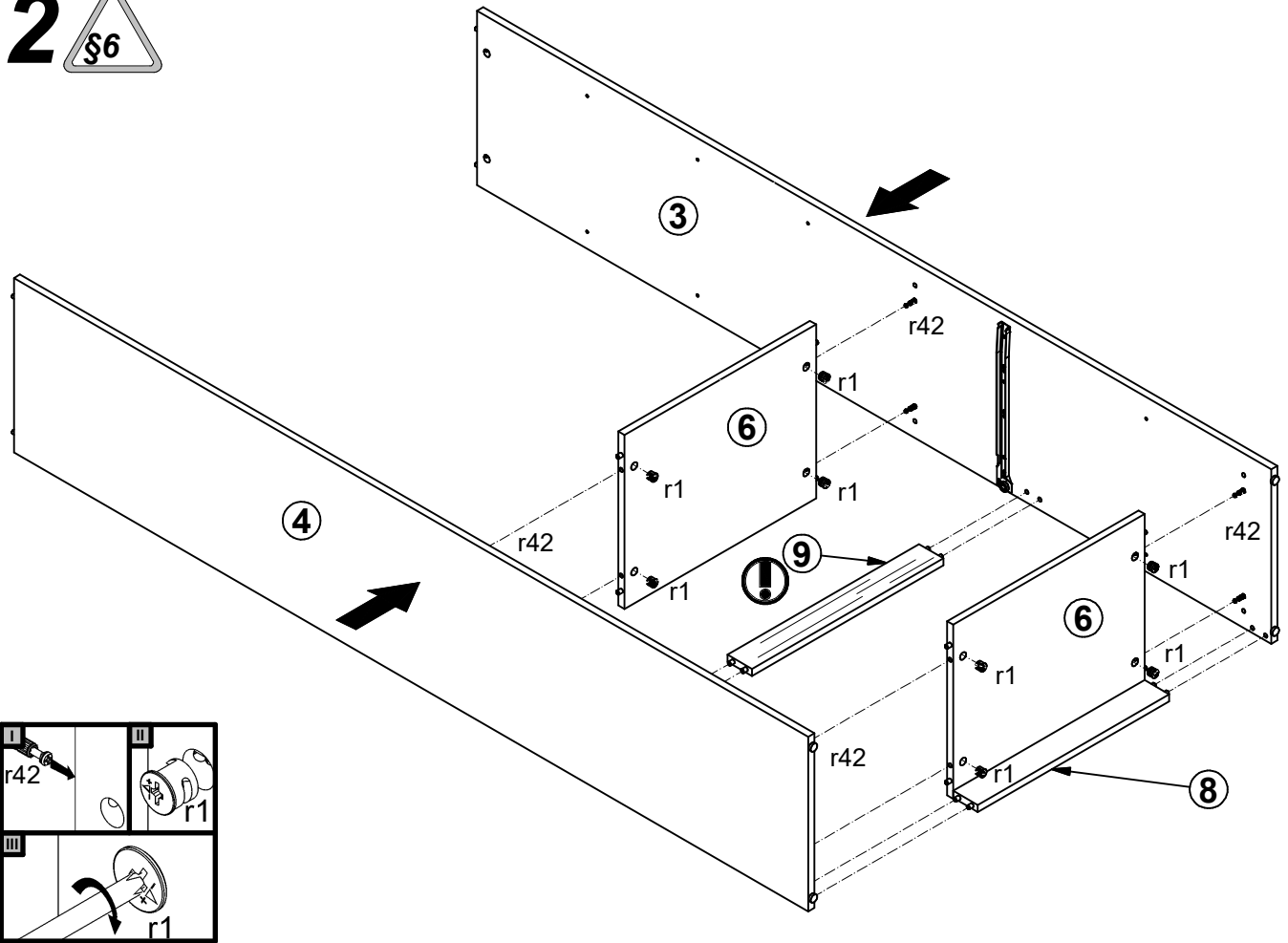


| | | | | | | | | |
|------------------------|------------------------|-------------------------|-------------------------|-----------------------------|------------------------------|------------------------|-------------------------|------------------------|
| 2x a83 | 2x b32 | 16x Ø5x17 mm d1 | 4x Ø6x13 mm e3 | 4x Ø5x9 mm e19 | 20x Ø8x30 mm f1 | 2x Ø6x30 mm f9 | 4x Ø6.5x40 mm f25 | 4x k1 |
| 55x l1 | 4x silikon o21 | 3x Ø3.5x16 mm p38 | 4x Ø3.5x15 mm p51 | 12x Ø15x12 mm #16 r1 | 4x Ø12x10.5 mm #12 r15 | 16x 20/11 r42 | 1x 350 mm w45\CL | 1x 350 mm w45\CR |
| 1x 350 mm w45\DL | 1x 350 mm w45\DR | 4x Ø16 s2 | | 1x 88x21x19/1.5 n14\2 | 2x Ø3.5x16 mm p38 | 1x Ø10x50 mm f35 | 1x Ø5x60 mm p17 | |

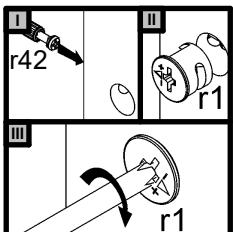
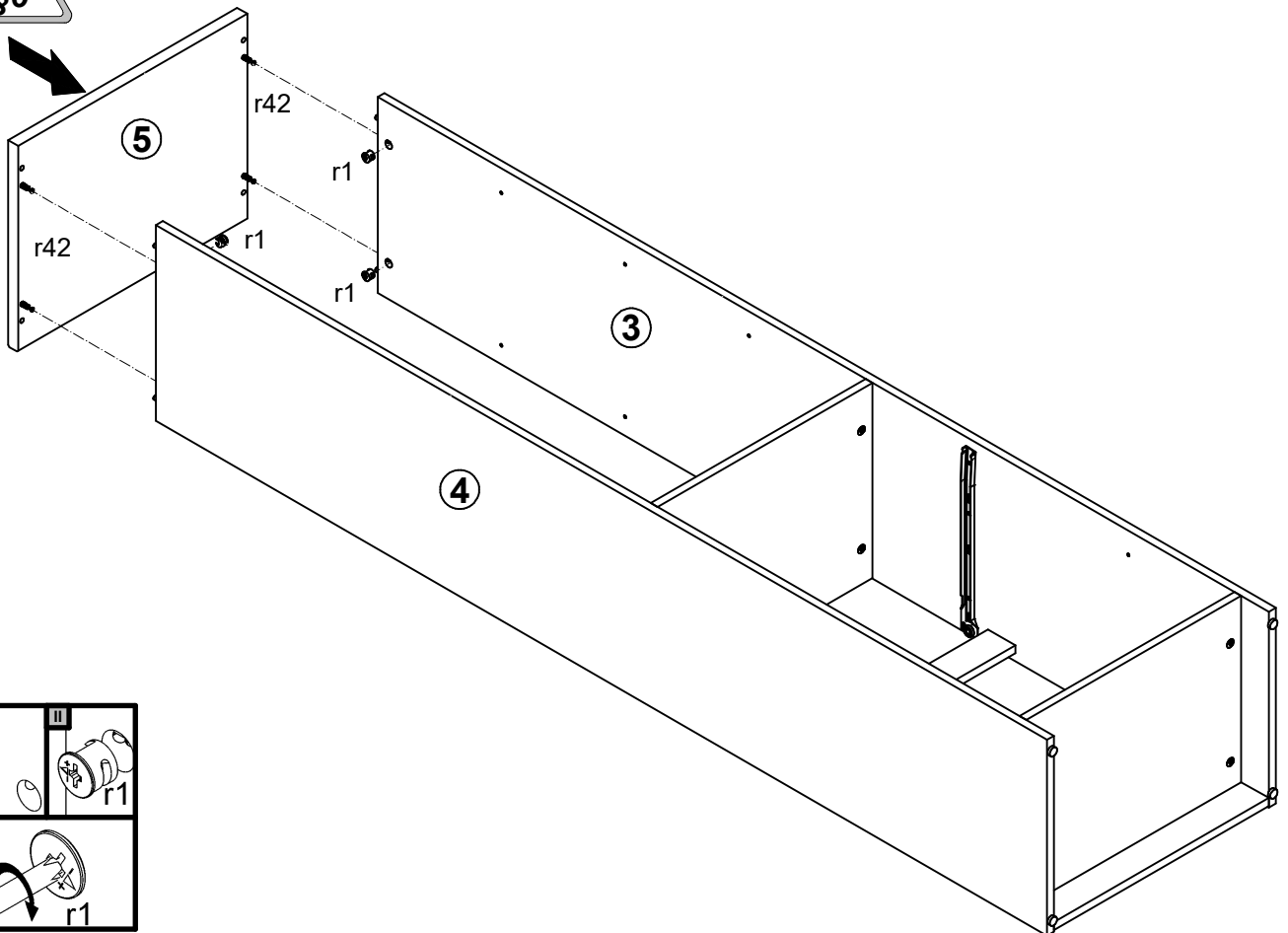
1 §2

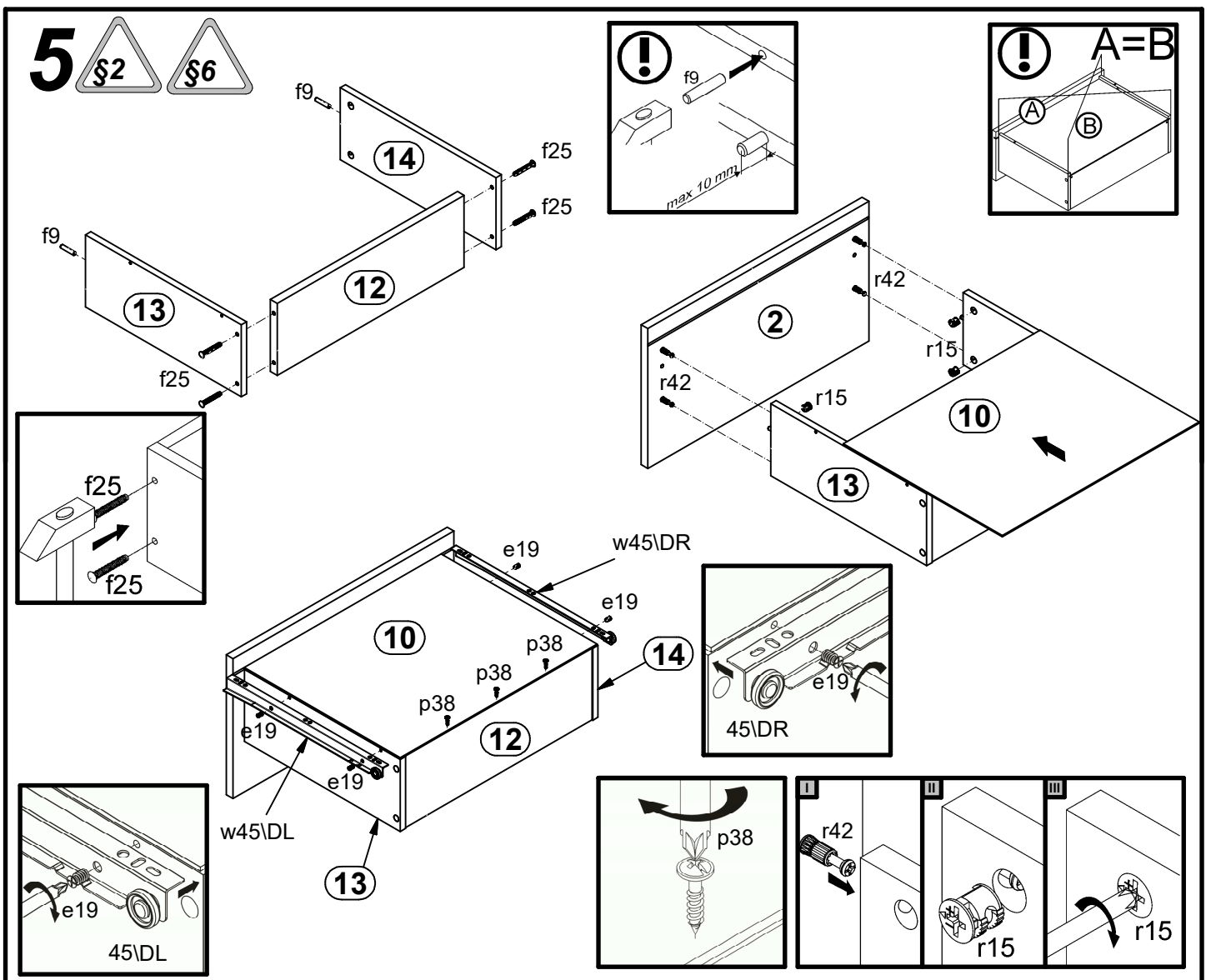
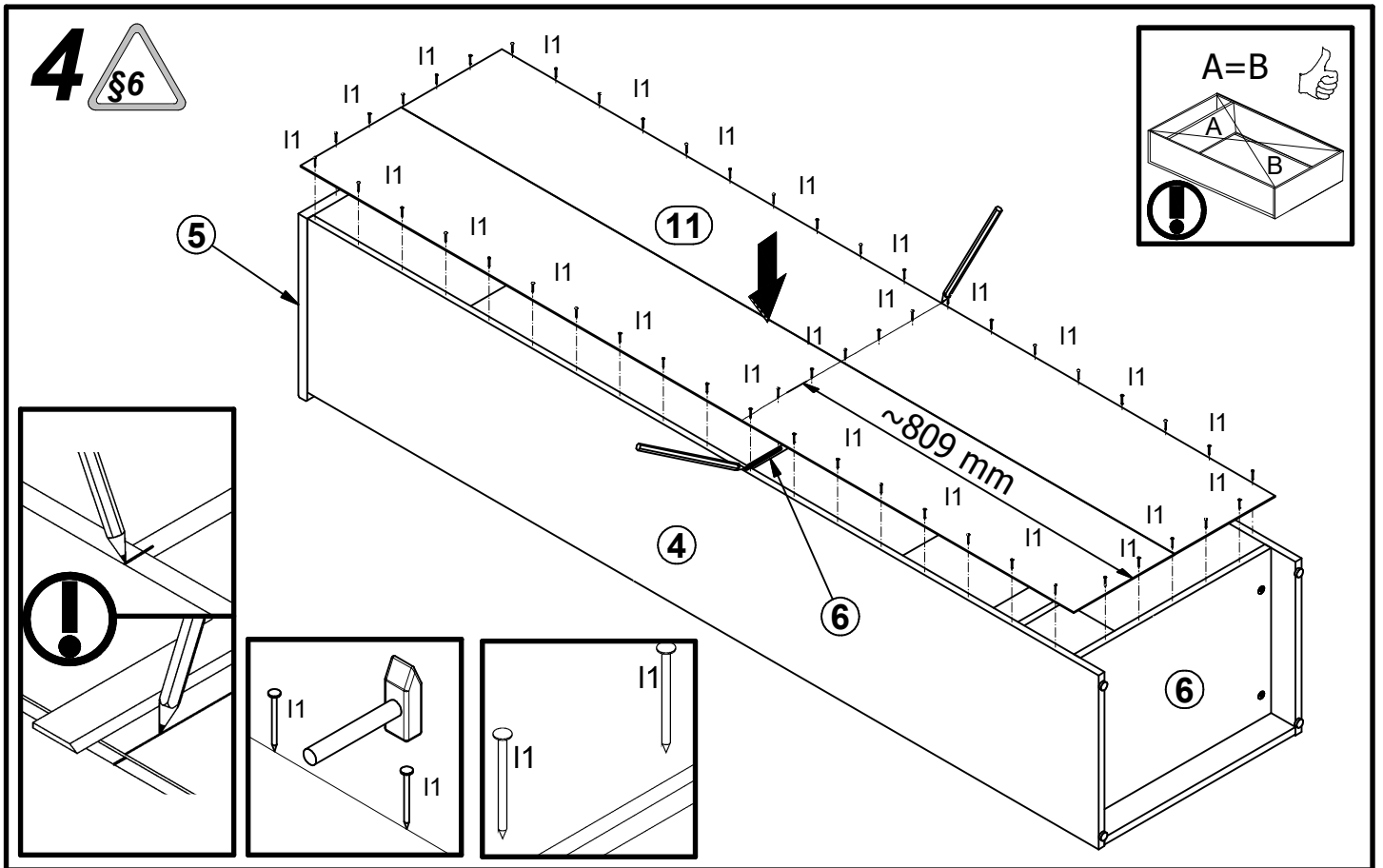


2



3





6

