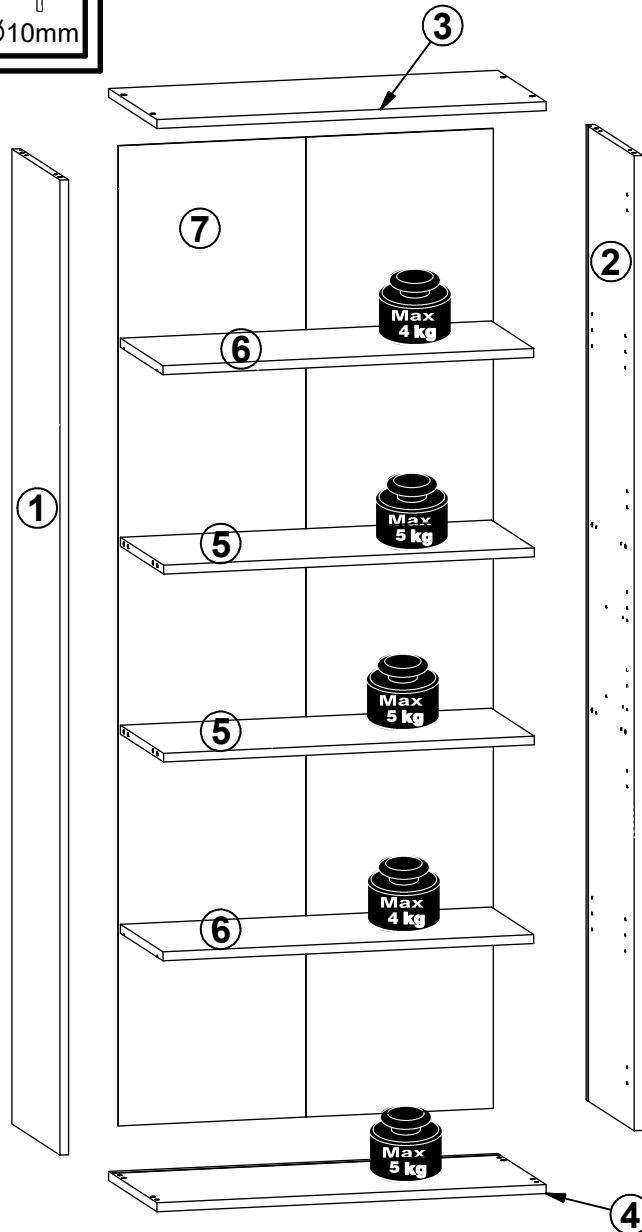
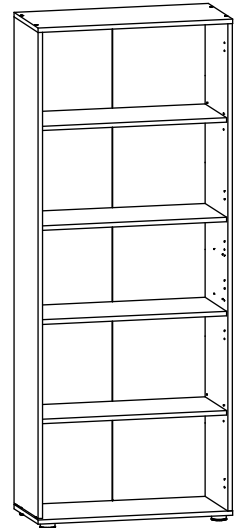
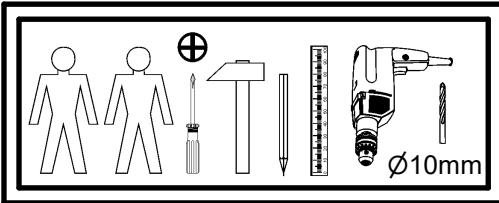


A

OFFICE SPACE

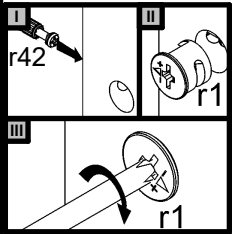
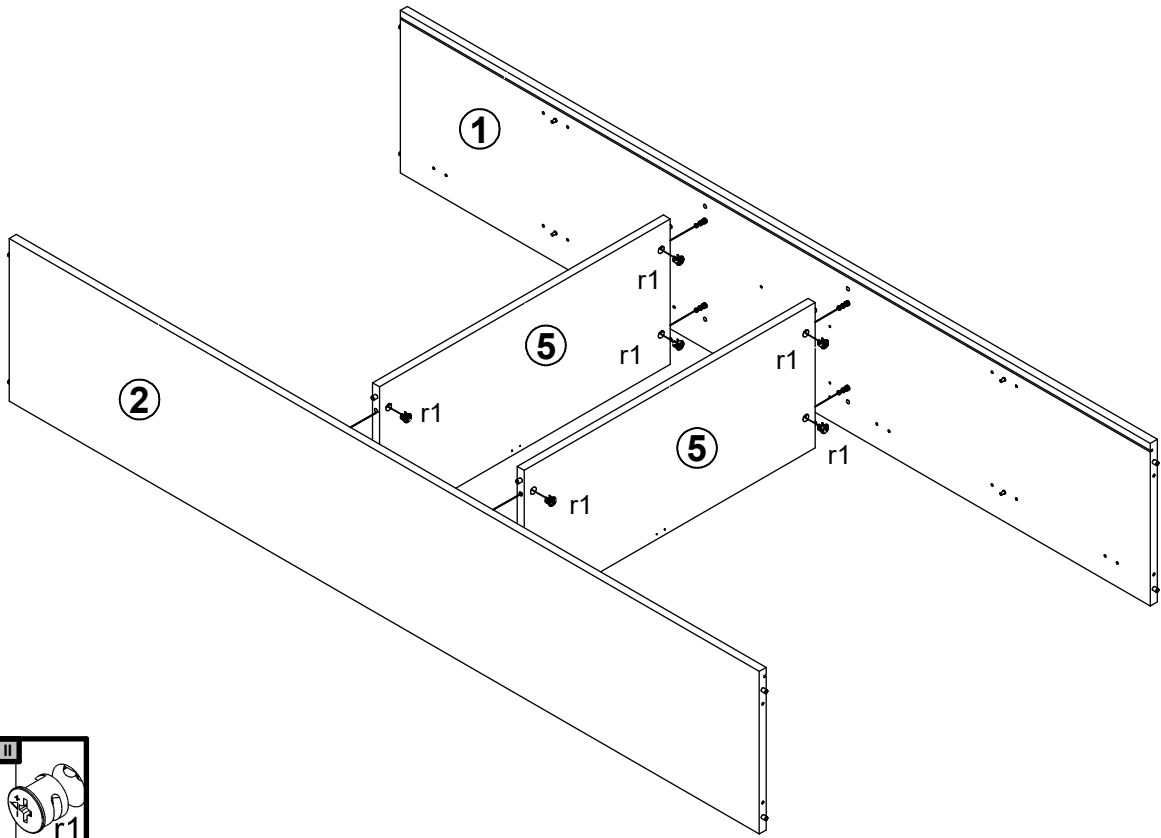
S479-REG/80/200

A	B	C		D
1	S479-1005	1965	369	2/2
2	S479-1006	1965	369	2/2
3	S479-2004	800	370	1/2
4	S479-2005	800	370	1/2
5	S479-3003	762	330	1/2
6	S479-3004	762	326	1/2
7	S479-9303	1975	771	2/2

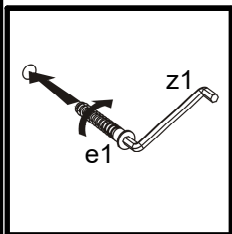
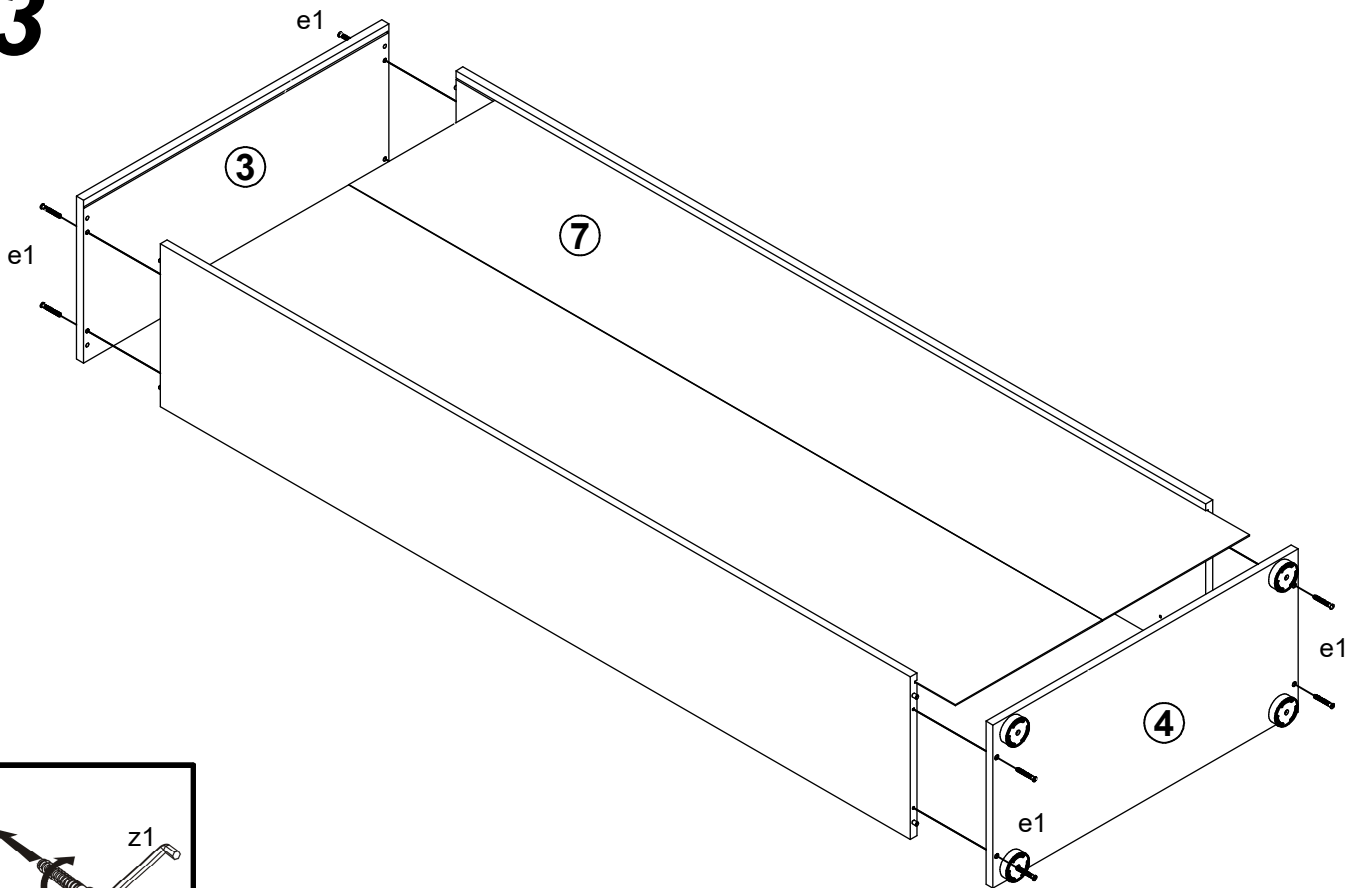


8x Ø5x17 mm d1	8x Ø7x50 mm e1	8x Ø6x13 mm e3	16x Ø8x30 mm f1	4x Ø51 mm k821\1	4x Ø58,6x52,18 mm k821\4	14x l2	8x Ø2,9x16 mm p55	8x Ø15x12 mm #16 r1
8x 20/11 r42	1x 4 mm z1	1x Ø10x50 mm f35	1x Ø5x60 mm p17	1x 88x21x15/1,5 n14\2	2x Ø3,5x16 mm p38			

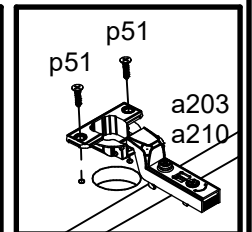
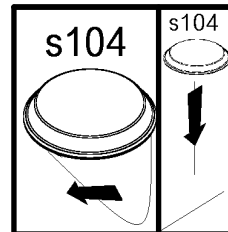
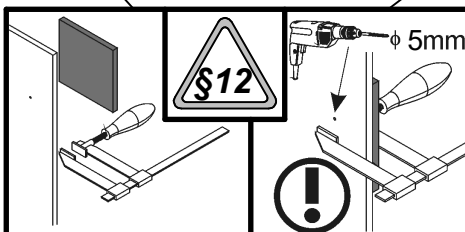
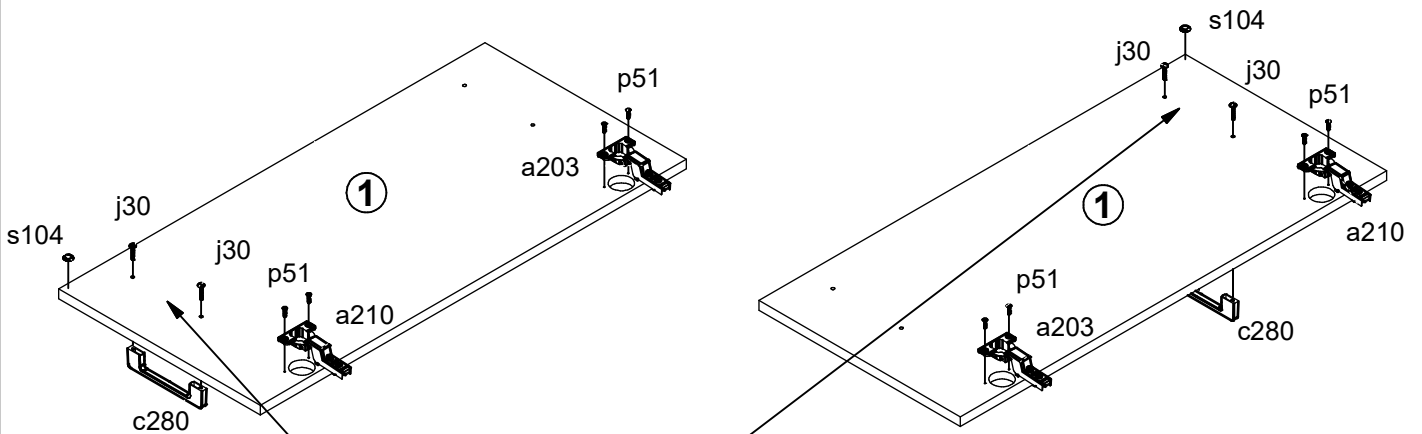
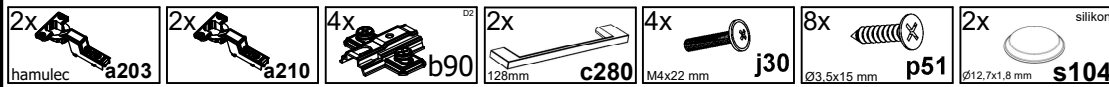
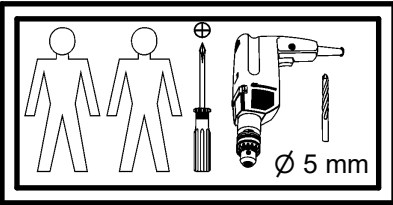
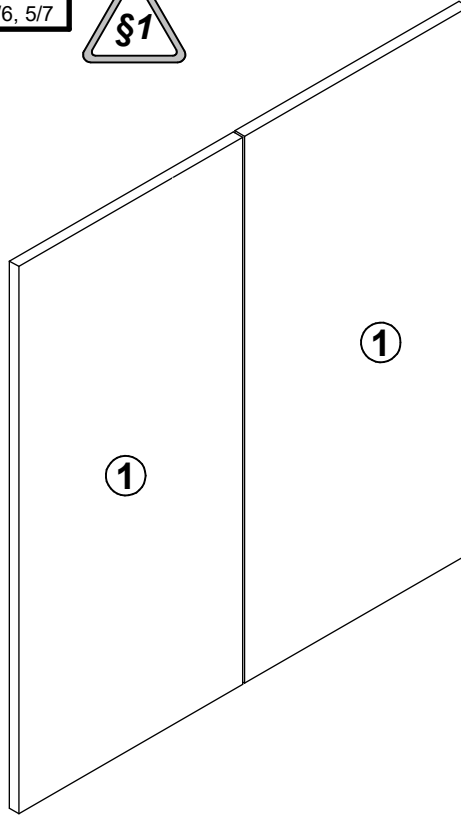
2



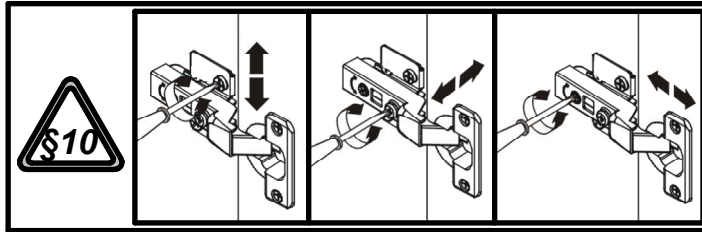
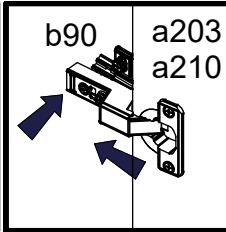
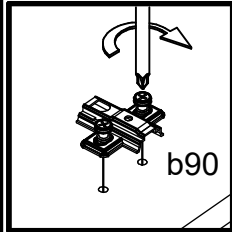
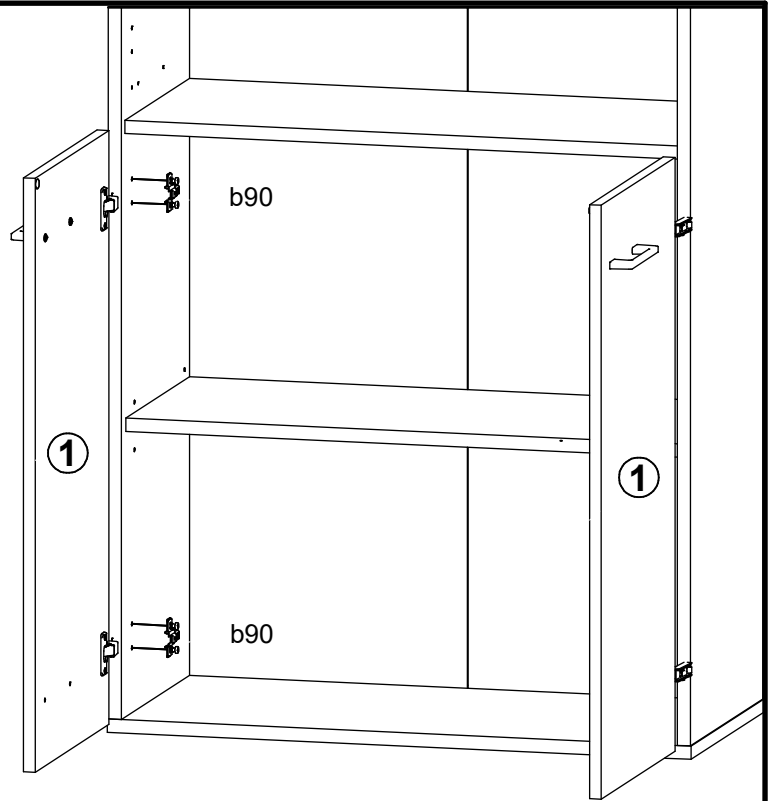
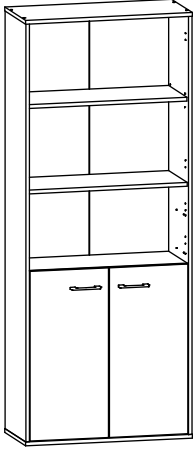
3



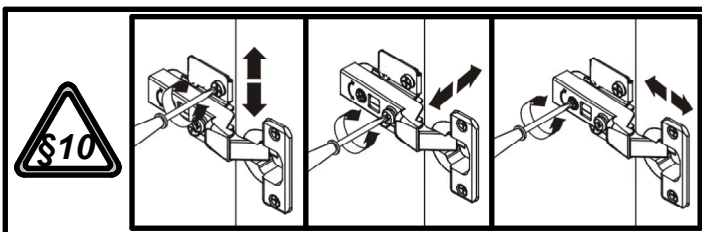
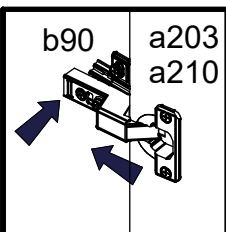
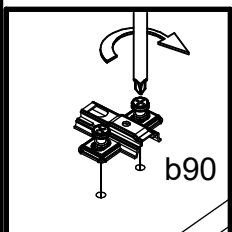
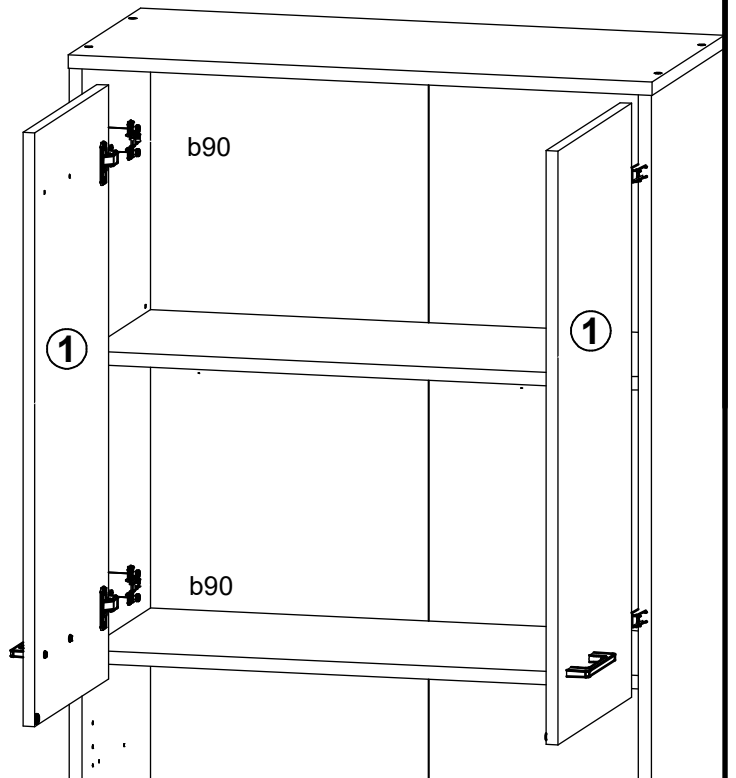
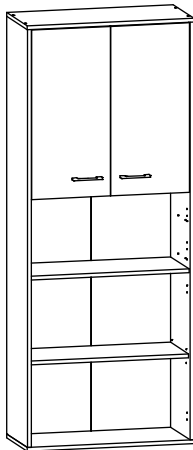
A	B	C	D
1	S479-0001	798	377
3/4, 3/5, 3/6, 3/7, 5/6, 5/7			



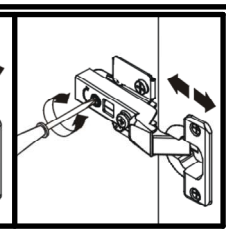
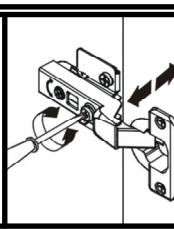
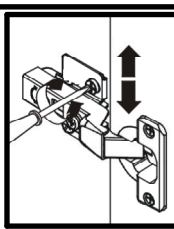
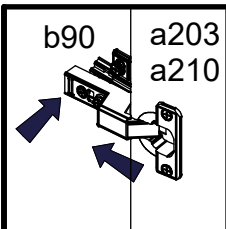
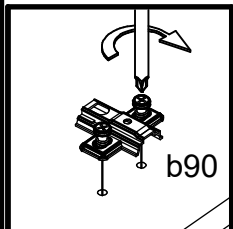
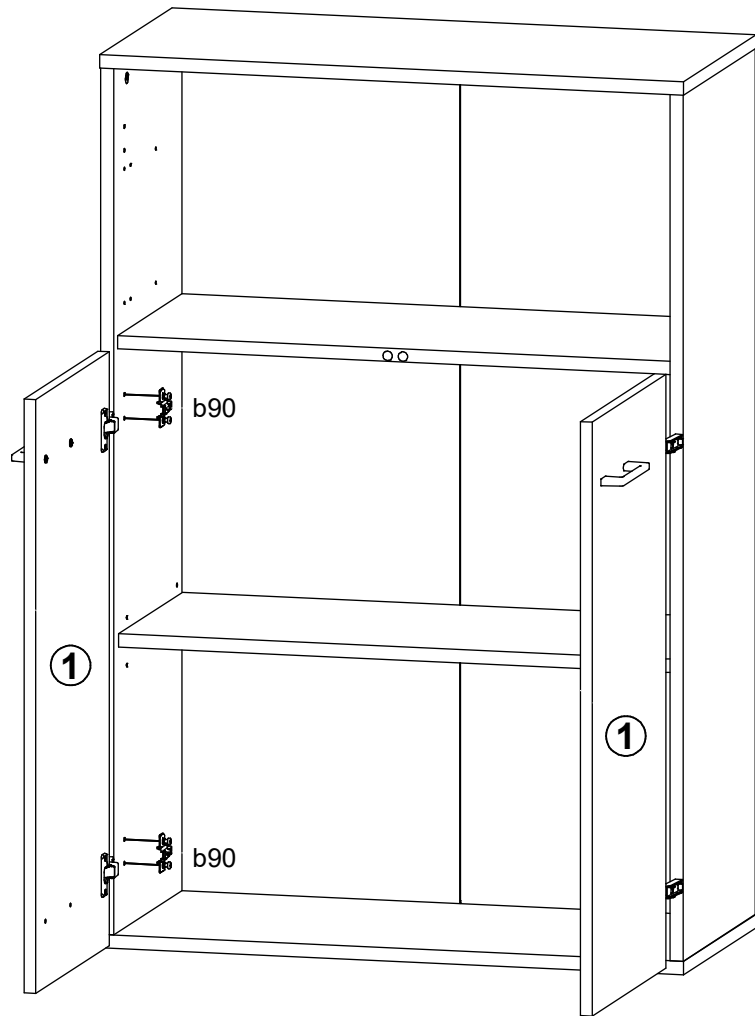
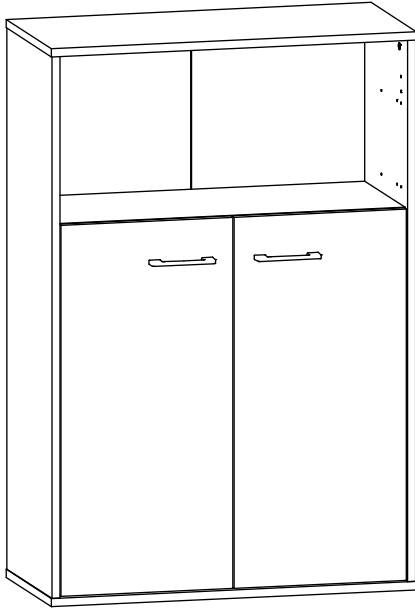
2A



2B



2C

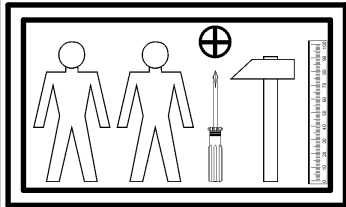
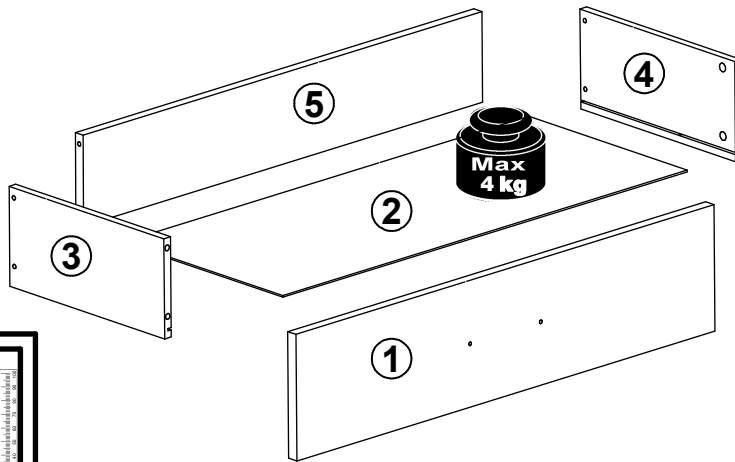
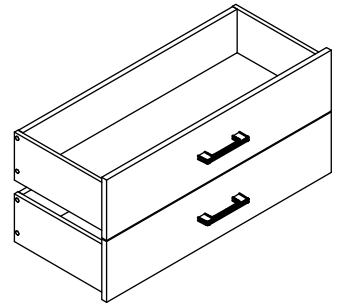


A

OFFICE SPACE

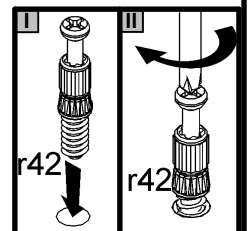
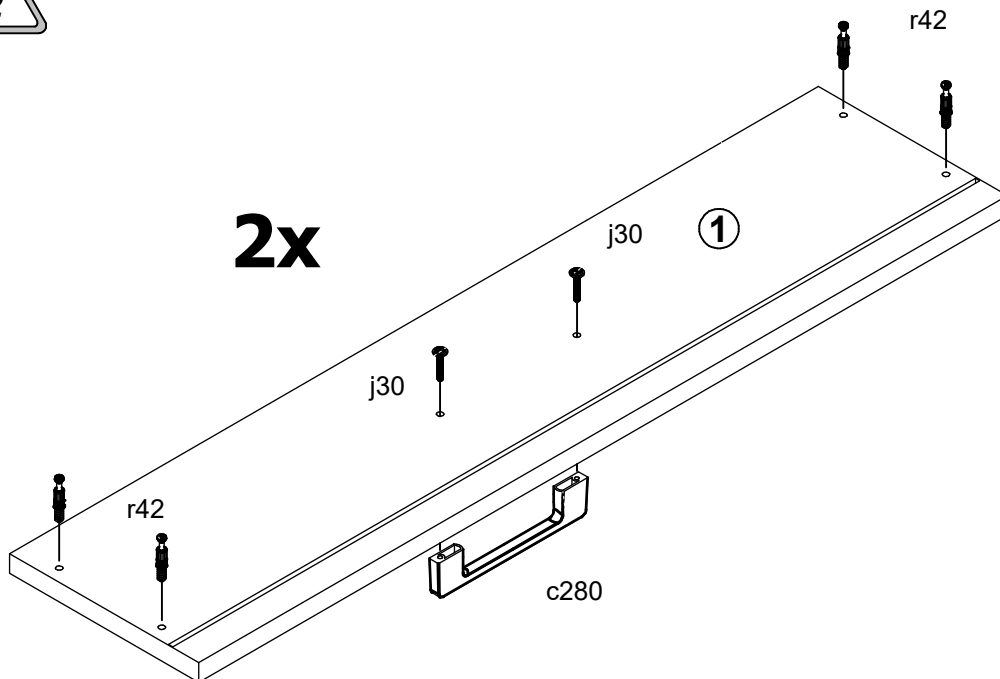
S479-SZU

A	B	C	D	
1	S479-0002	757	177	2/2, 3/3, 4/4, 5/5, 6/6, 7/7
2	S479-9001	732	307	2/2, 3/3, 4/4, 5/5, 6/6, 7/7
3	ZQ6-509	300	140	2/2, 3/3, 4/4, 5/5, 6/6, 7/7
4	ZQ6-510	300	140	2/2, 3/3, 4/4, 5/5, 6/6, 7/7
5	ZQ6-5196	722	127	2/2, 3/3, 4/4, 5/5, 6/6, 7/7

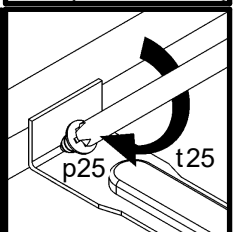
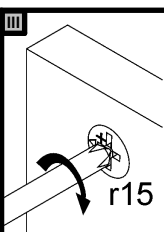
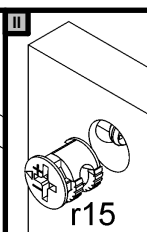
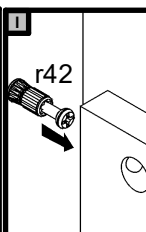
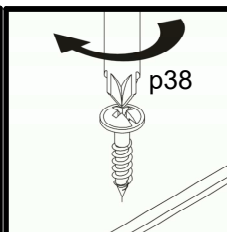
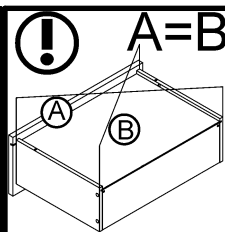
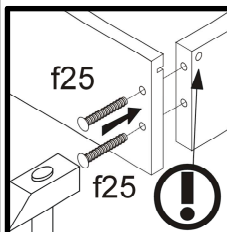
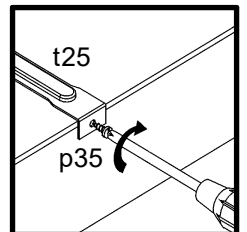
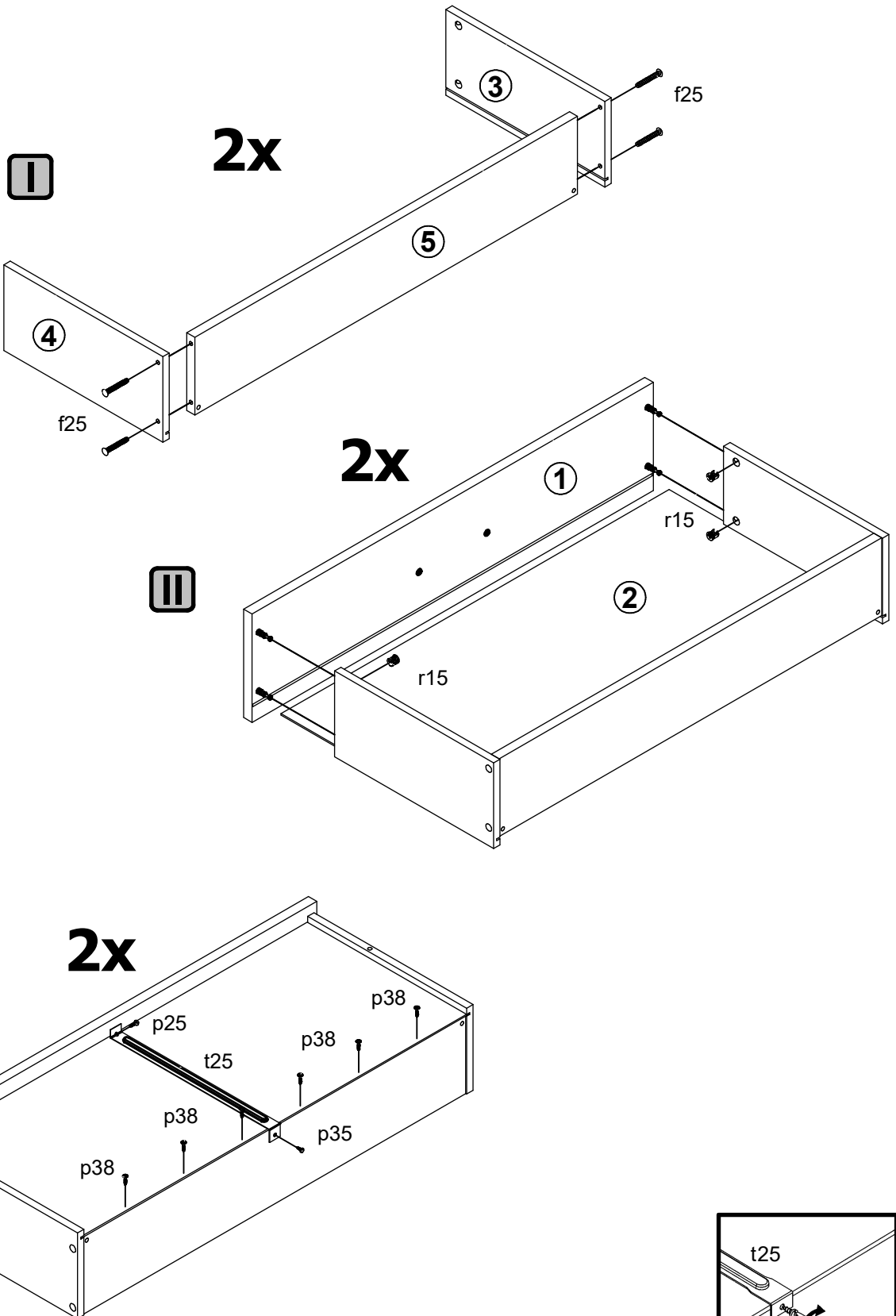


2x 128mm c280	12x Ø6x13 mm e3	8x Ø6.5x40 mm f25	4x M4x22 mm j30	2x Ø3.5x16 mm p25	2x Ø3.5x10 mm p35	12x Ø3.5x16 mm p38	8x Ø12x10.5 mm #12 r15	8x 20/11 r42	
2x 300mm w125L	2x 300mm w125P	2x 300 mm t25	4x Ø2.9x16 mm p55						

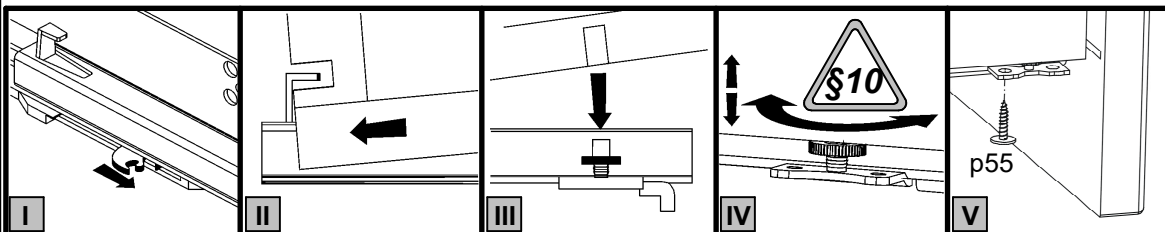
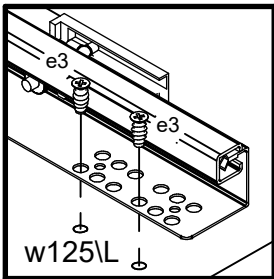
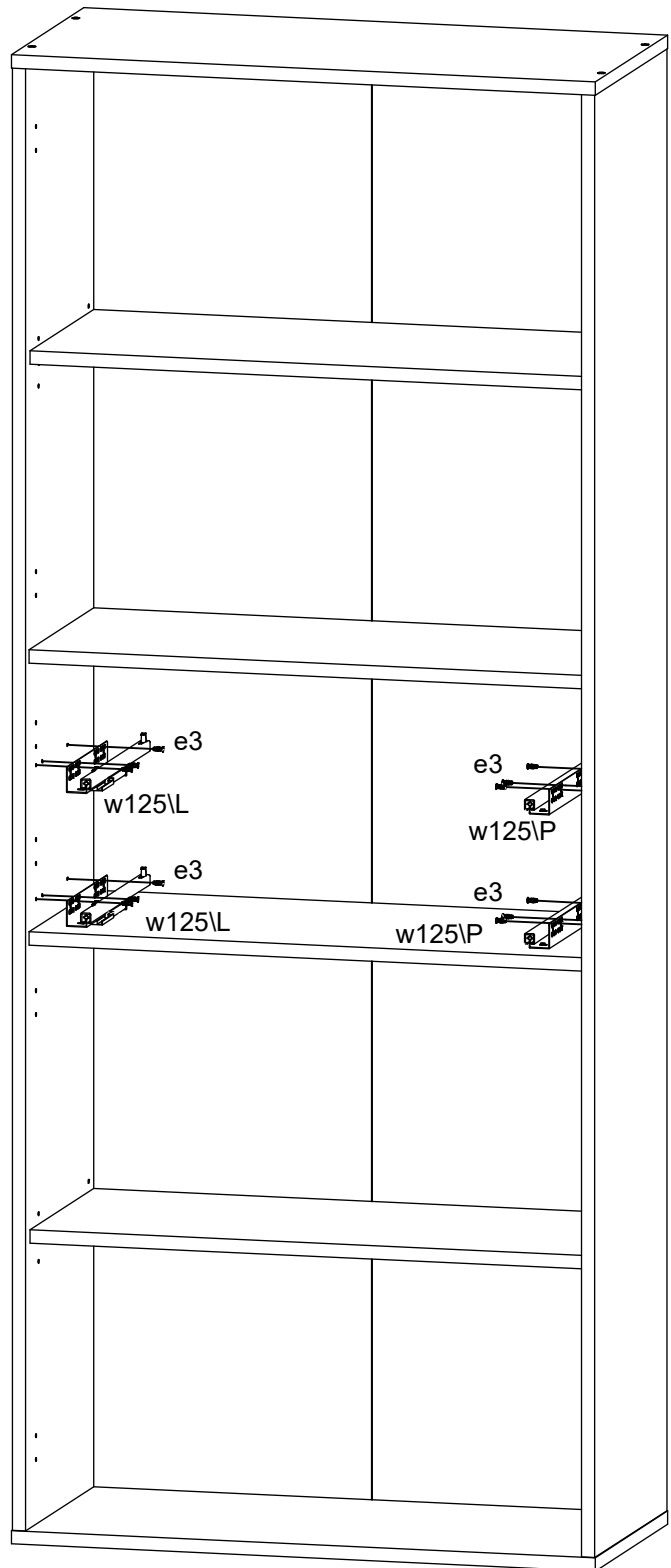
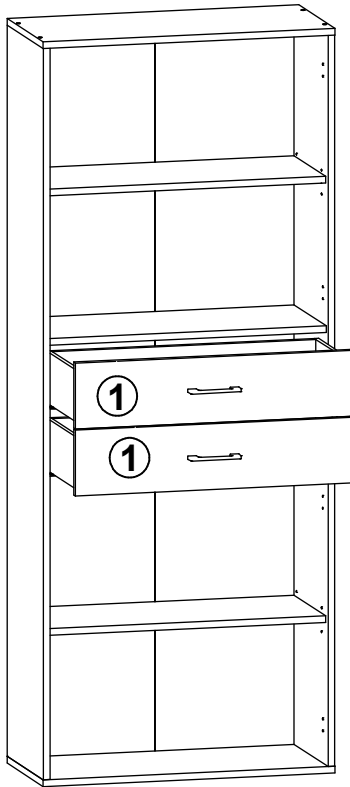
1



2



3A



3B

