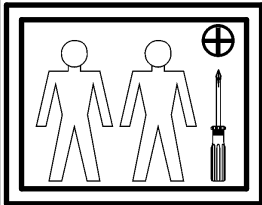
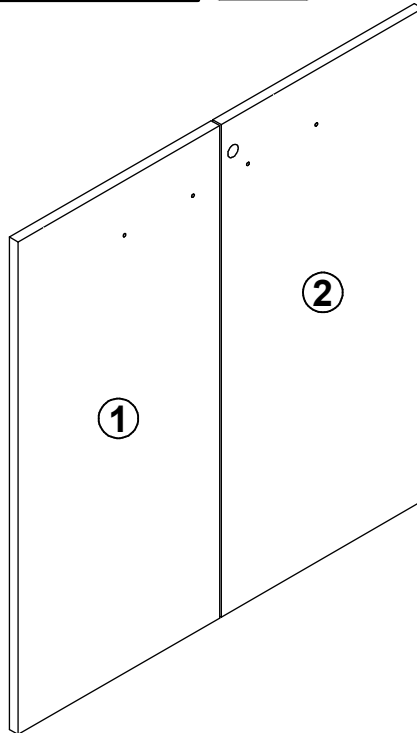
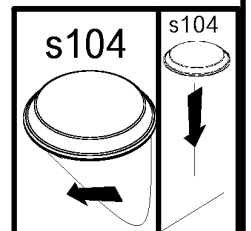
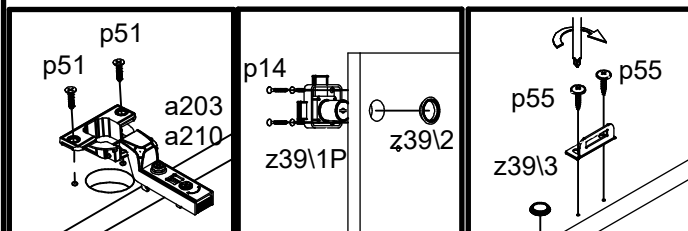
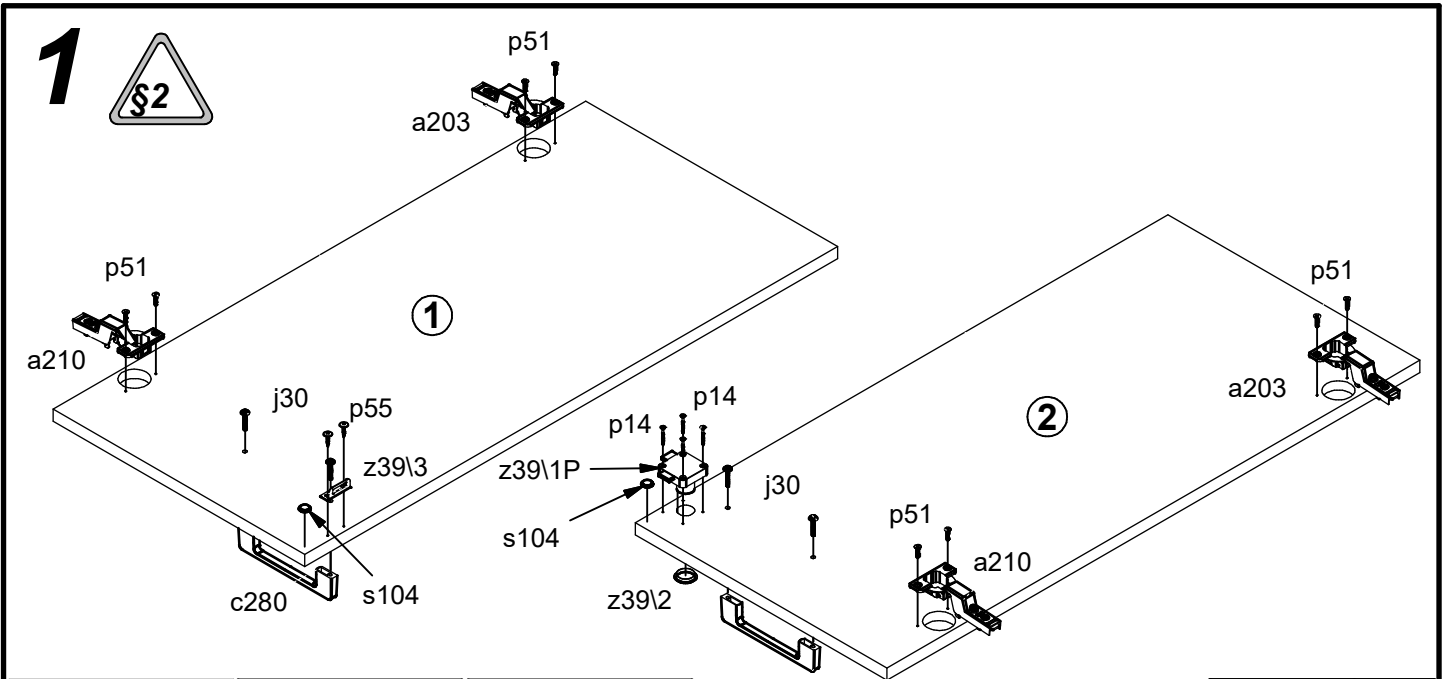


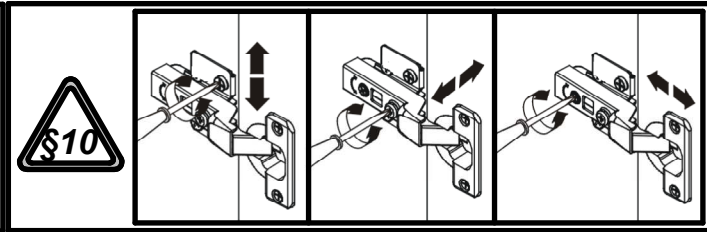
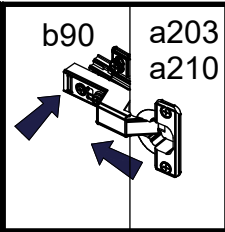
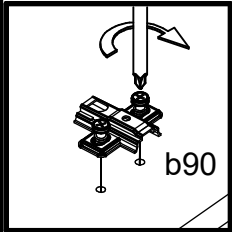
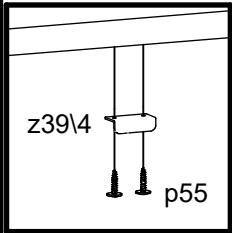
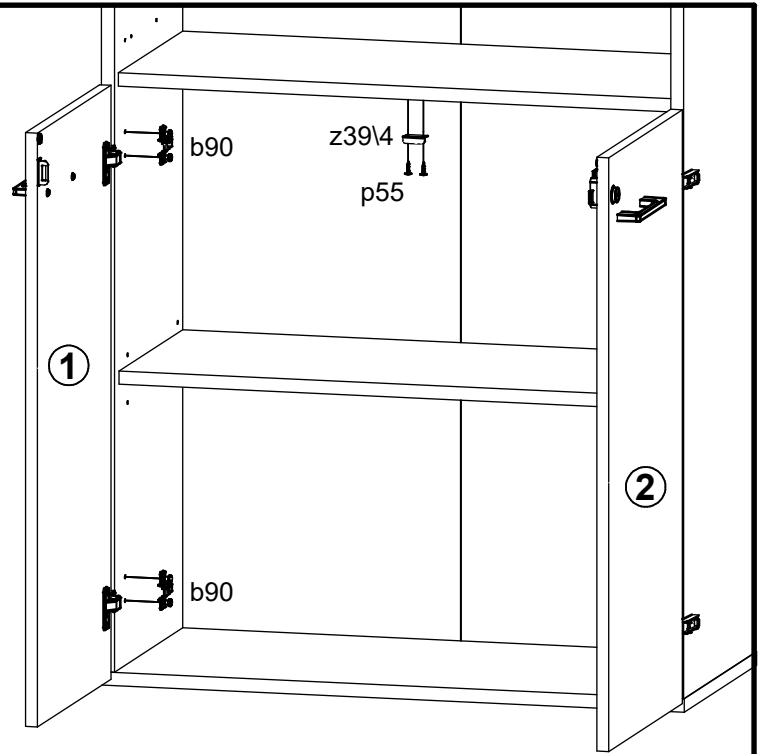
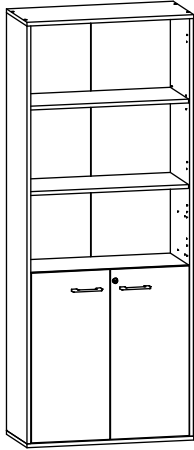
A	B	C	D
1	S479-0005	798	377
2	S479-0006	798	377



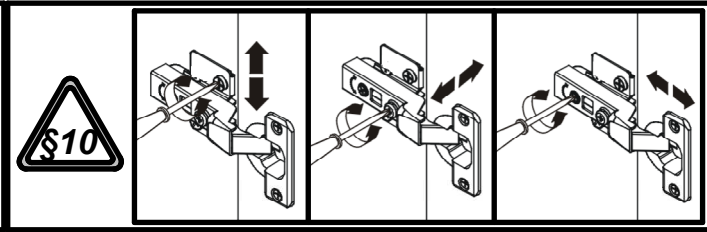
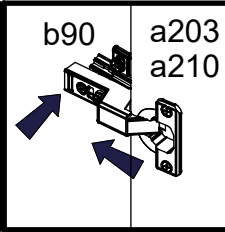
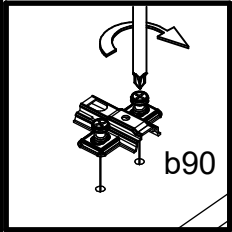
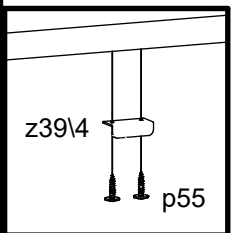
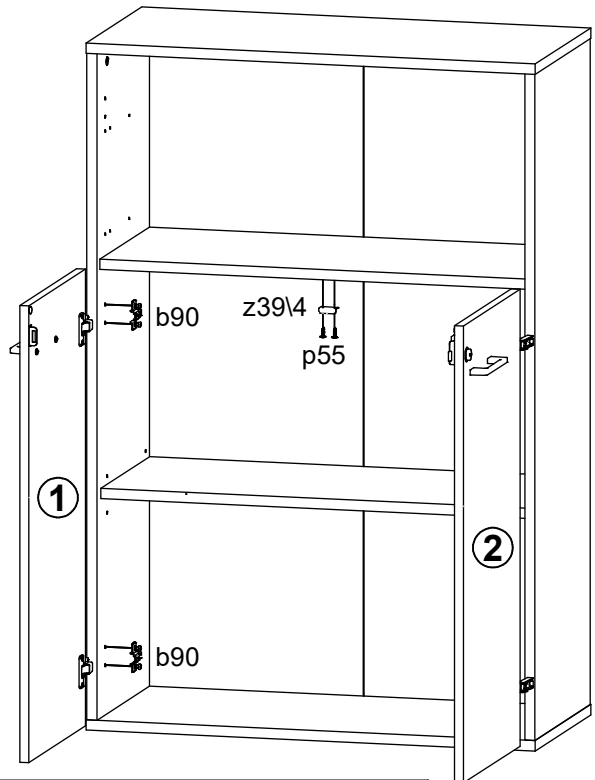
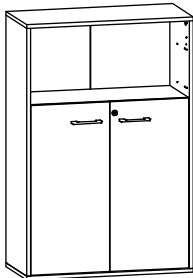
2x hamulec a203	2x a210	4x b90	2x 128mm c280	4x M4x22 mm j30	8x Ø3.5x15 mm p51	4x Ø2.9x16 mm p55	1x zamek prawy z39\1P	1x zaczep z39\3
1x zaczep z39\4	1x z39\2	2x z39\5	4x Ø3x20 mm p14	2x silikon s104				



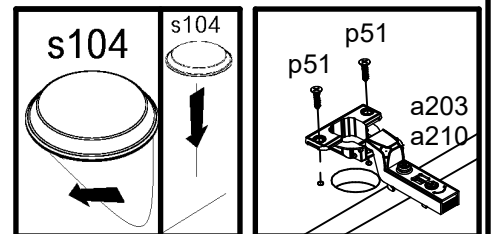
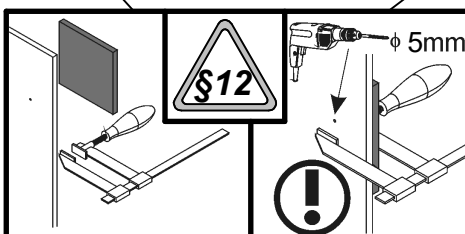
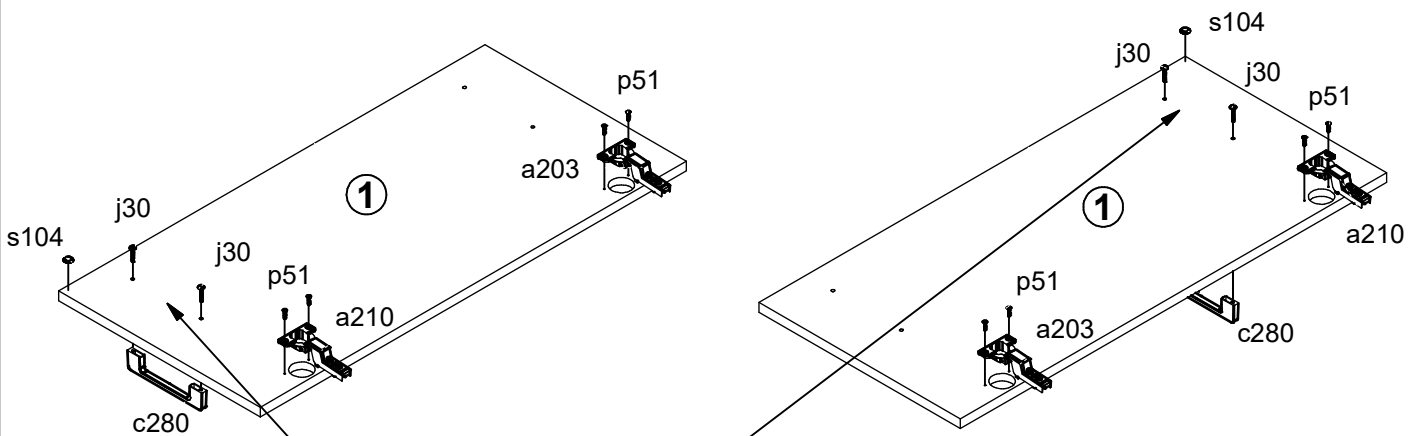
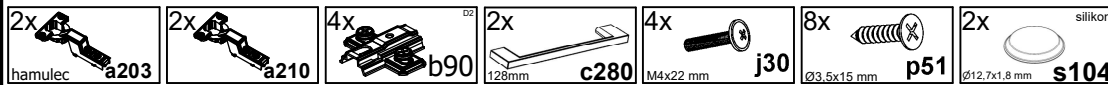
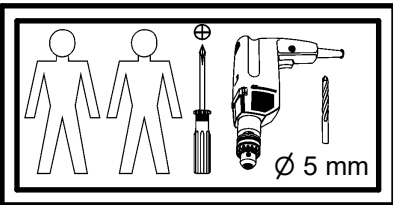
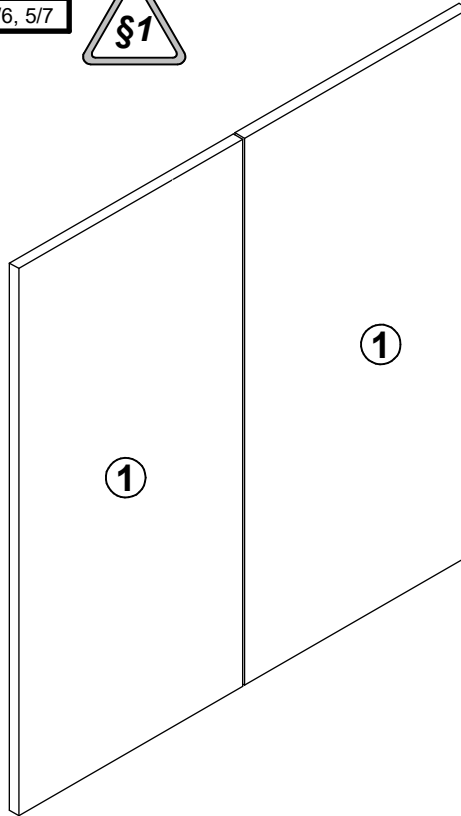
2A



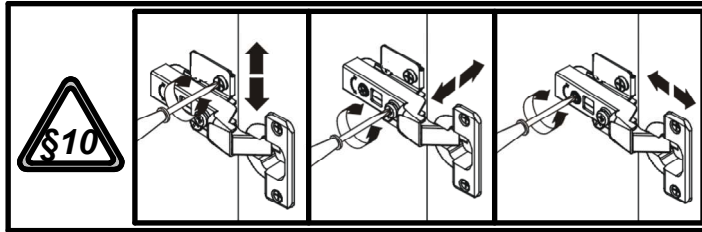
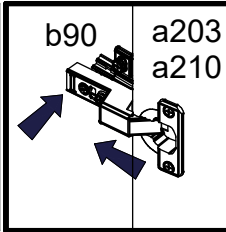
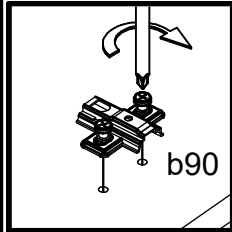
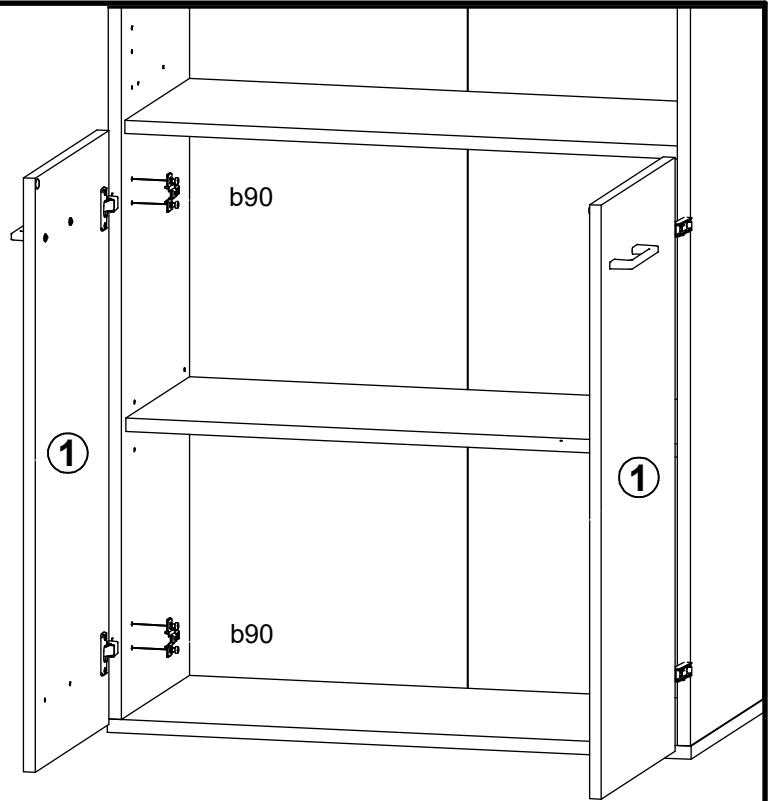
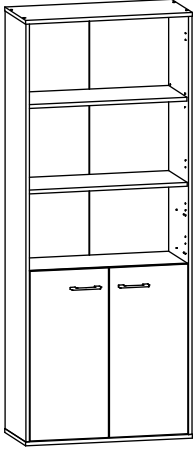
2B



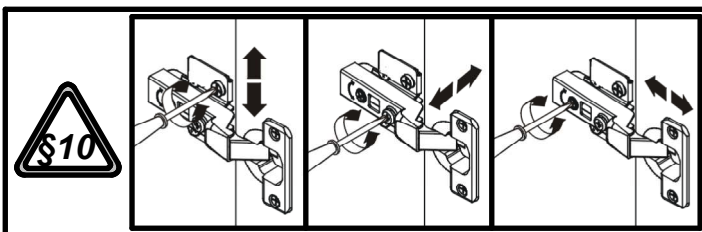
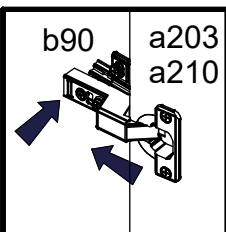
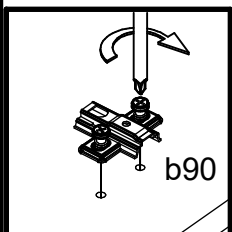
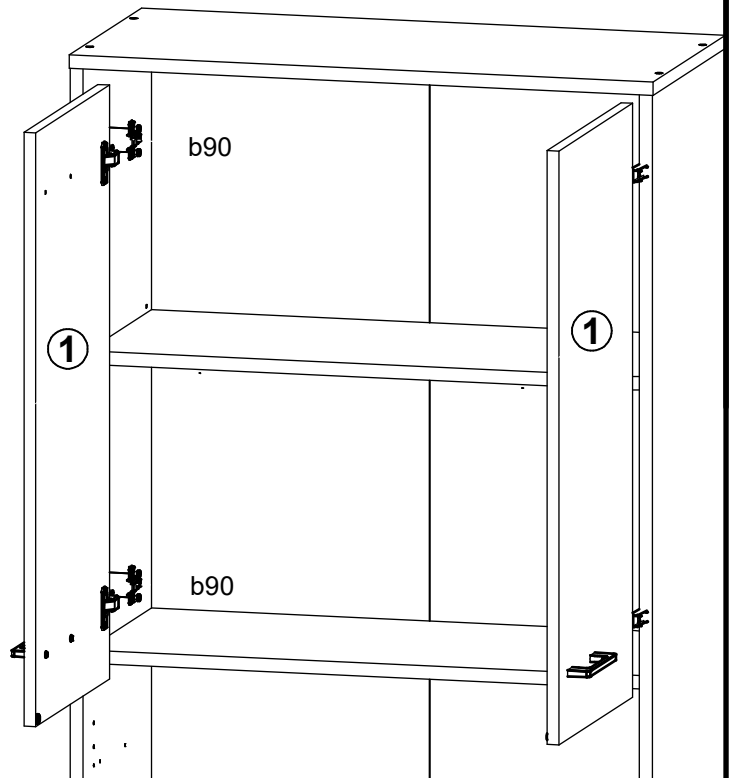
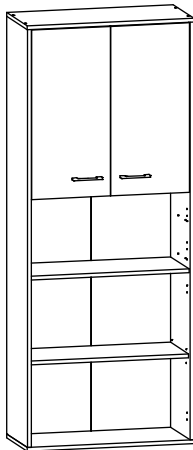
A	B	C	D
1	S479-0001	798	377
3/4, 3/5, 3/6, 3/7, 5/6, 5/7			



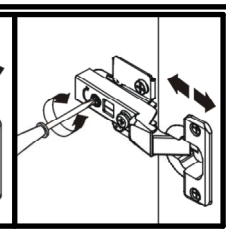
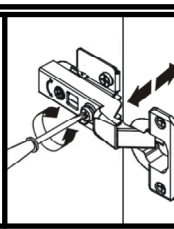
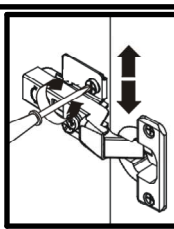
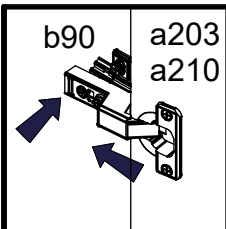
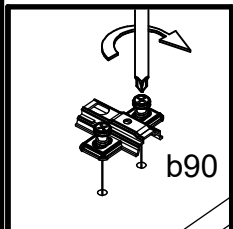
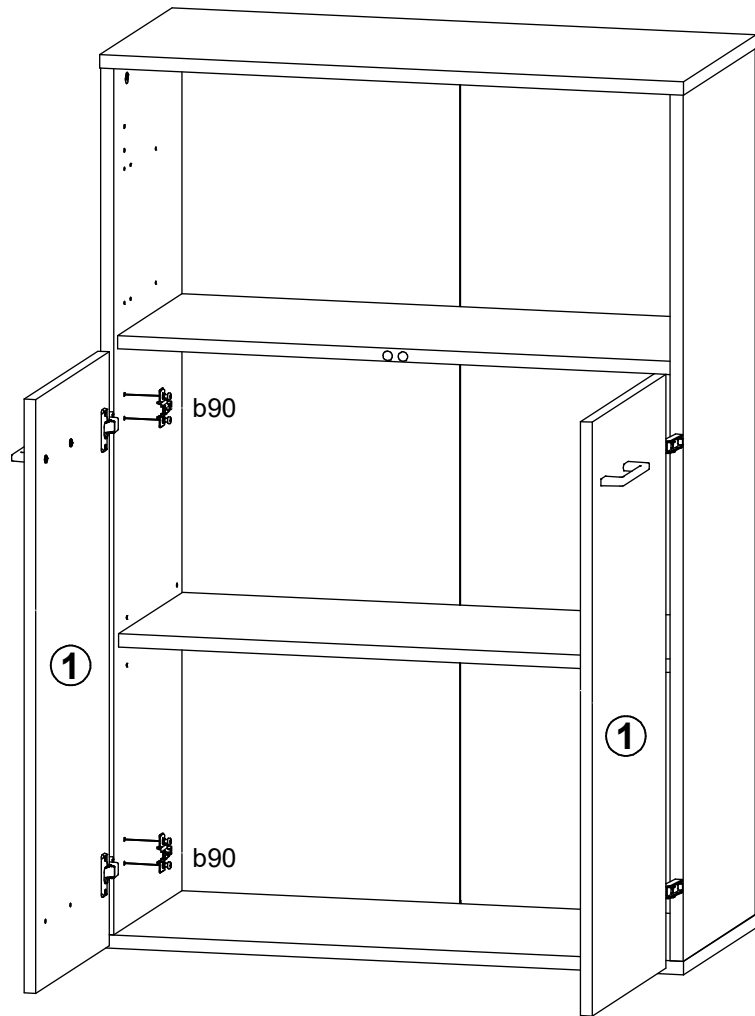
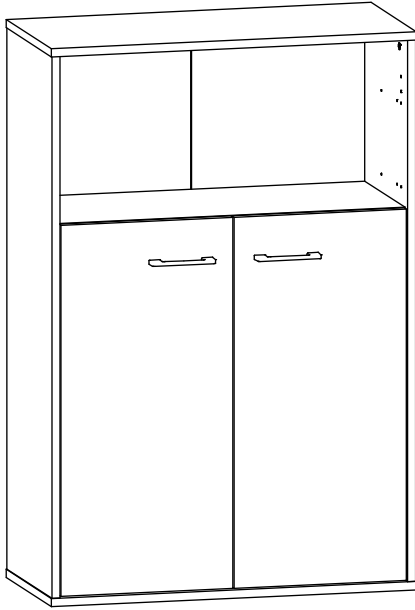
2A



2B



2C

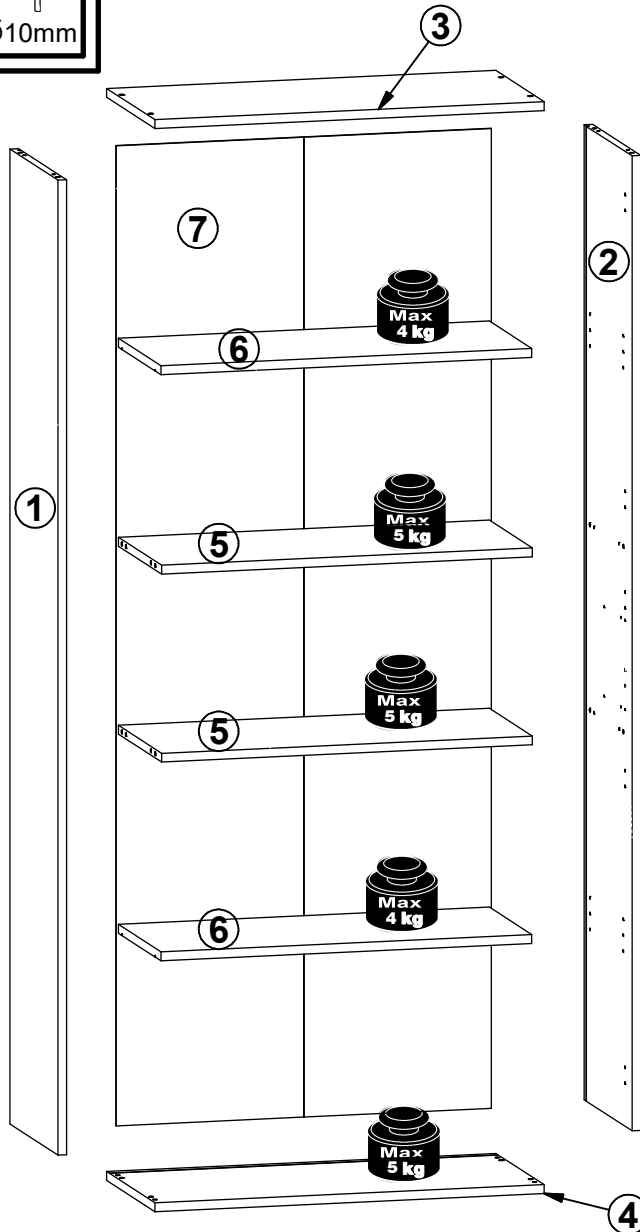
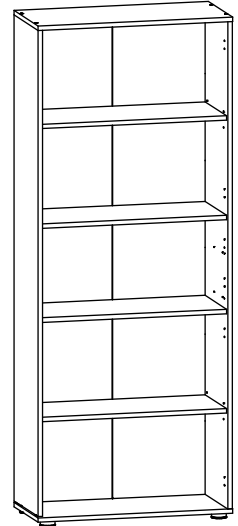
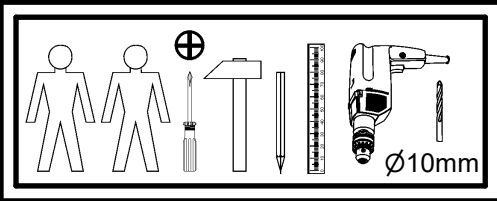


A

OFFICE SPACE

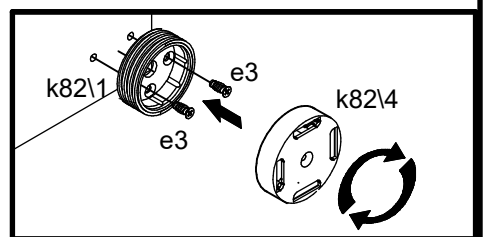
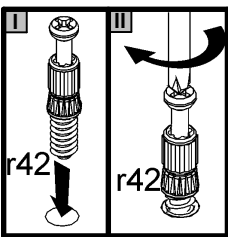
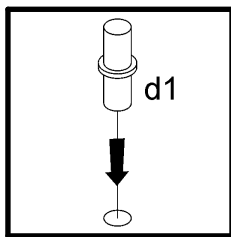
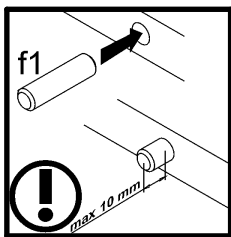
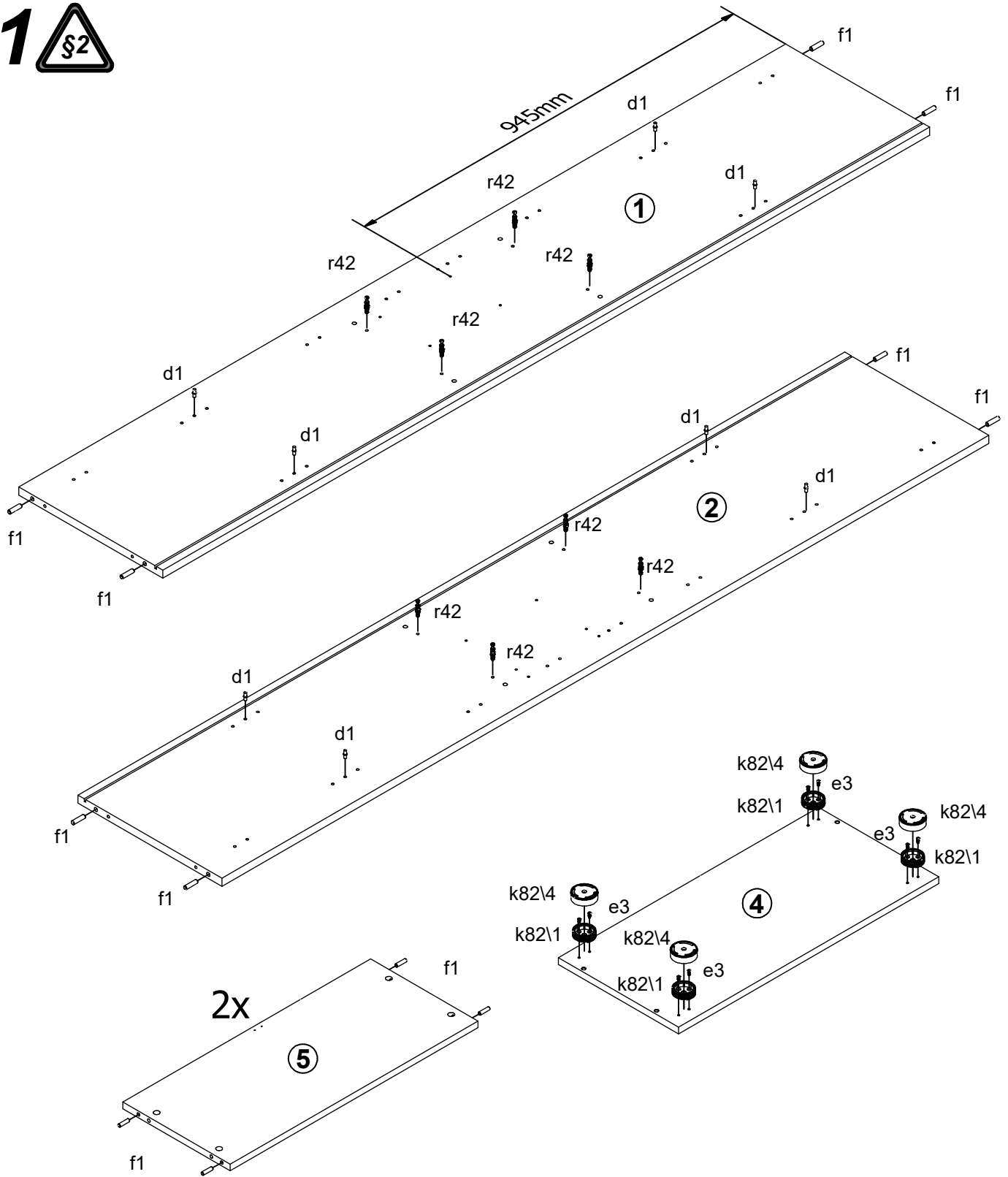
S479-REG/80/200

A	B	C		D
1	S479-1005	1965	369	2/2
2	S479-1006	1965	369	2/2
3	S479-2004	800	370	1/2
4	S479-2005	800	370	1/2
5	S479-3003	762	330	1/2
6	S479-3004	762	326	1/2
7	S479-9303	1975	771	2/2

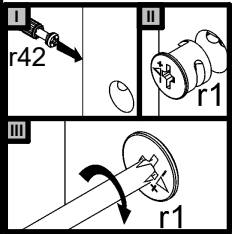
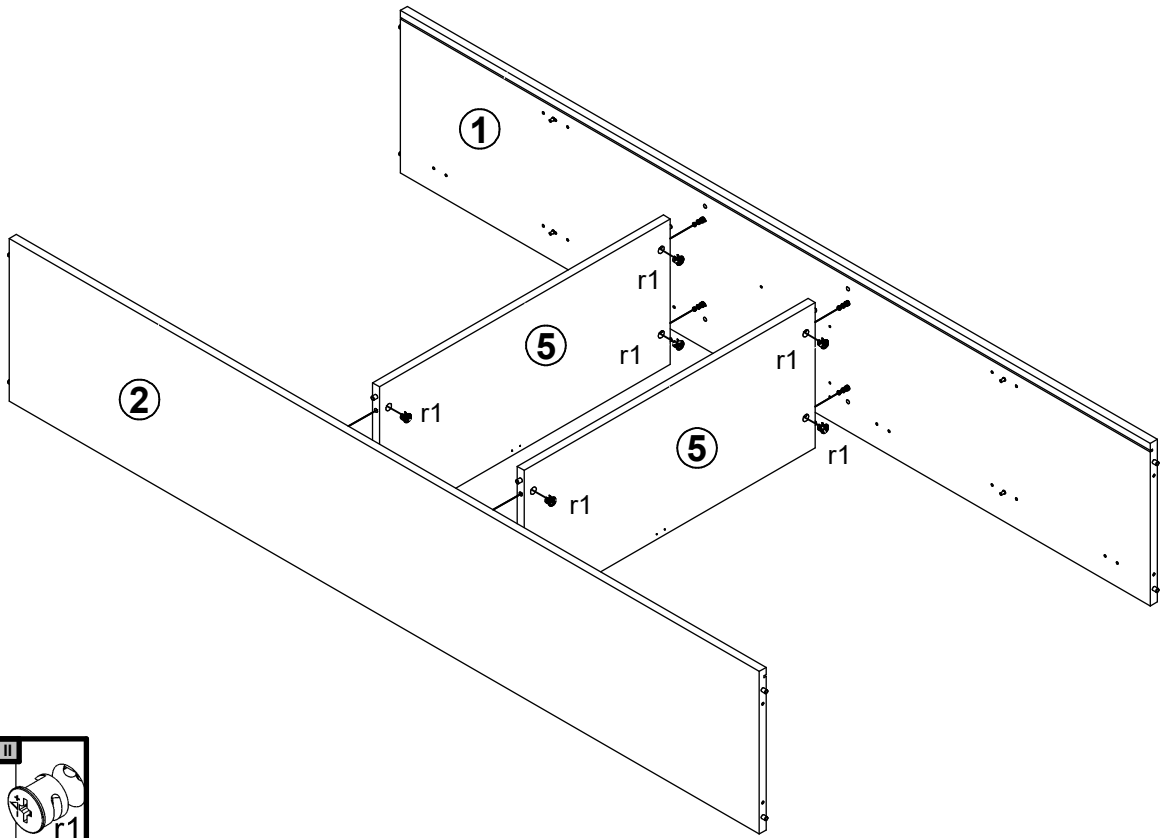


8x Ø5x17 mm d1	8x Ø7x50 mm e1	8x Ø6x13 mm e3	16x Ø8x30 mm f1	4x Ø51 mm k821\1	4x Ø58,6x52,18 mm k821\4	14x l2	8x Ø2,9x16 mm p55	8x Ø15x12 mm #16 r1
8x 20/11 r42	1x 4 mm z1	1x Ø10x50 mm f35	1x Ø5x60 mm p17	1x 88x21x15/1,5 n14\2	2x Ø3,5x16 mm p38			

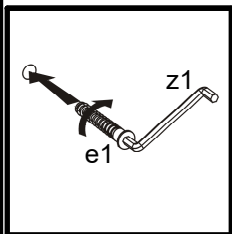
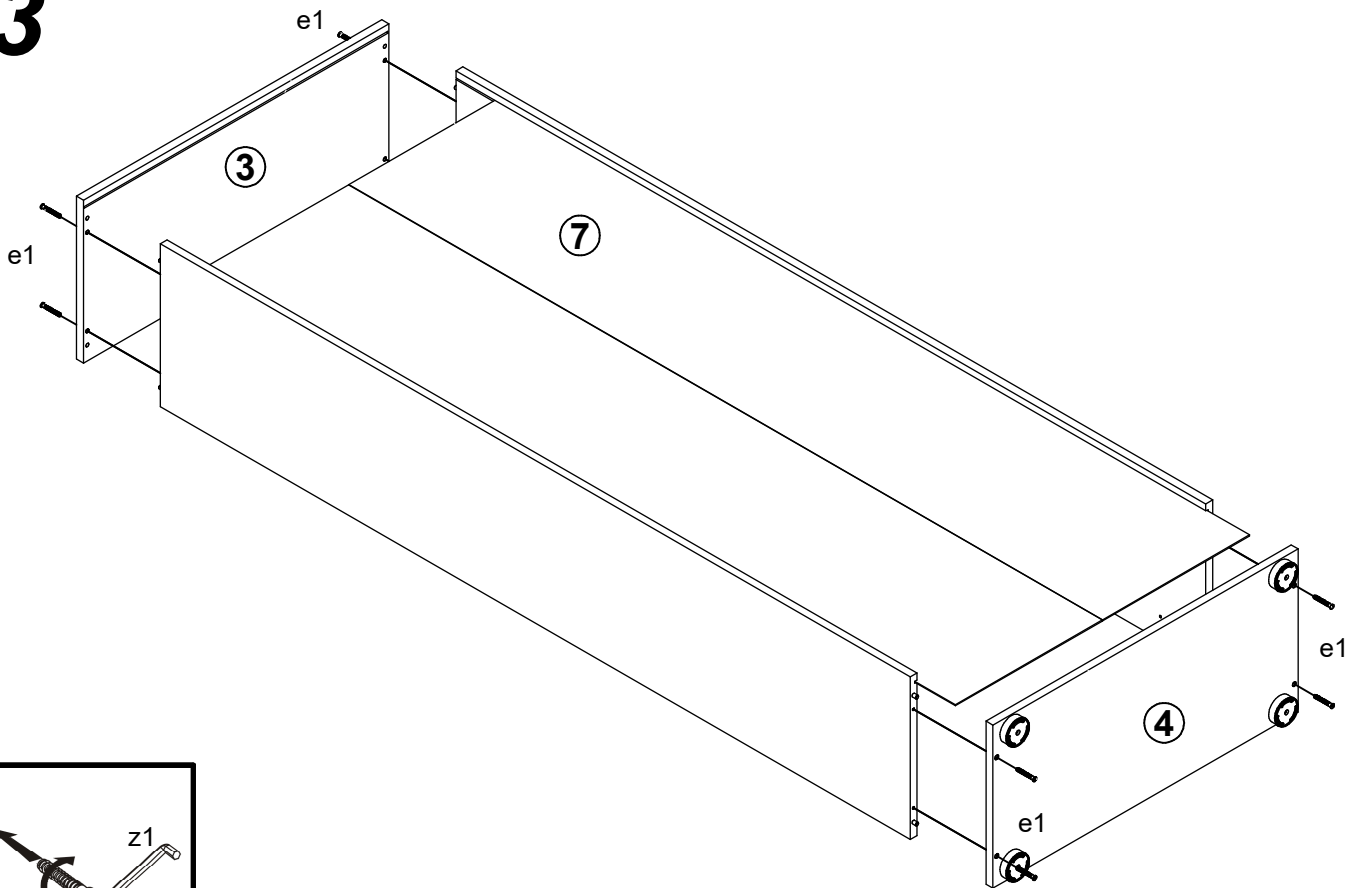
1 



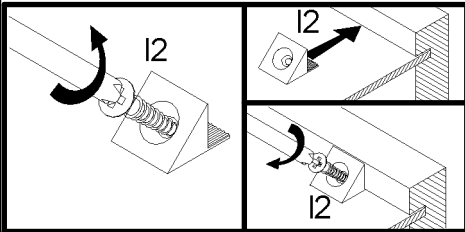
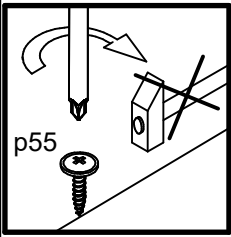
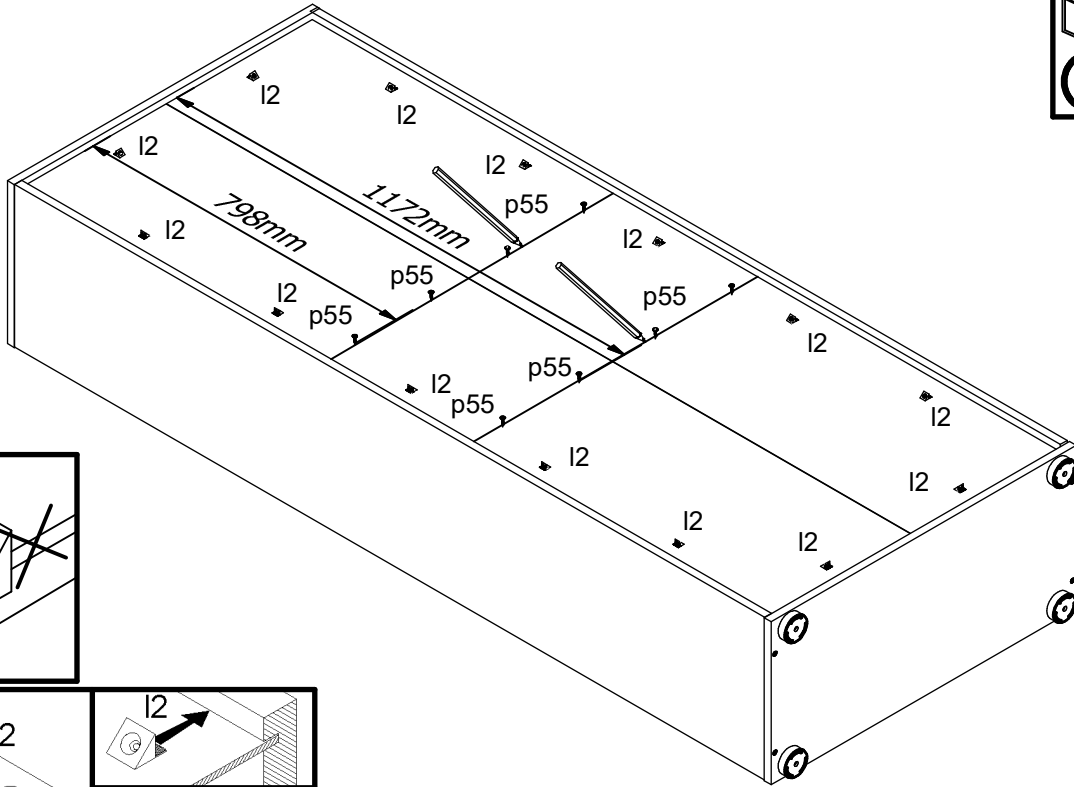
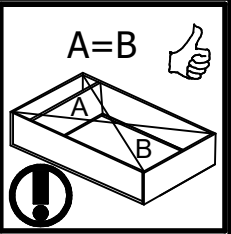
2



3



4



5

